

PART NUMBER	REV	FIRST USED
567847-1	C	854040-4

TERMINAL NAME: PIN		VISIBLE PAD LTR	CRIMPING DATA		
AMP P/N	MFG P/N		CRIMP HEIGHT	WIRE SIZE	
286521	E7EB-14461-BA	A	.057 ±.002 [1.45 ±0.05mm]	16	
286525	E7EB-14487-AA	B	.051 ±.002 [1.30 ±0.05mm]	18	
		C	.044 ±.002 [1.12 ±0.05mm]	20	
		D	NOT USED		
WIRE	INSUL	CRIMP	SIZE	TYPE	RANGE
			.080 [2.03mm]	F	20-16
			.110 [2.79mm]	F	∅.084
WIRE STRIP LENGTH	TERM APPL SPEC	FEED	APPL INSTRUCTION	SET UP GAGE	LAYOUT
-	NONE	.378	SEE CUSTOMER MANUAL	NONE	L18270

STANDARD FORCE CRIMP QUALITY MONITOR APPLICATOR
SIM REG 5/C NONE

QTY	REV	DESCRIPTION	ITEM NO
1	-	A	70
1	-	B	69
1	-	B	68
1	-	A	67
1	-	B	66
1	-	B	65
1	-	A	64
1	-	B	63
1	-	A	62
1	-	B	61
			60
			59
			58
1	-	A	57
REF	-	B	56
			55
			54
			53
			52
1	-	A	51
1	-	A	50
			49
1	-	A	48
			47
			46
1	-	A	45
1	-	C	44
1	-	A	43
1	-	A	42
1	-	A	41
1	-	A	40
1	-	A	39
1	-	C	38
1	-	D	37
1	-	A	36
1	-	B	35
1	-	B	34
1	-	C	33
1	-	A	32
1	-	B	31
1	-	B	30
1	-	C	29
1	-	C	28
2	-	A	27
1	-	B	26
1	-	B	25
1	-	D	24
1	-	A	23
			22
1	-	A	21
			20
1	-	C	19
			18
			17
			16
			15
			14
			13
1	-	A	12
1	-	B	11
1	-	B	10
1	-	B	9
1	-	C	8
1	-	C	7
			6
1	-	A	5
1	-	B	4
1	-	C	3
1	-	C	2
1	-	C	1

QTY	REV	DESCRIPTION	ITEM NO
2	-	C	129
2	-	C	128
2	-	C	127
1	-	A	125
1	-	A	124
			123
			122
1	-	A	121
1	-	B	120
2	-	A	119
			118
2	-	A	117
			116
			115
2	-	A	114
REF	-	A	113
2	-	A	112
REF	-	A	111
			110
			109
1	-	A	108
			107
			106
1	-	A	105
1	-	A	104
1	-	A	103
			102
4	-	A	101
1	-	B	100
2	-	A	99
1	-	A	98
			97
1	-	A	96
1	-	A	95
6	-	A	94
			93
			92
1	-	A	91
2	-	A	90
			89
			88
2	-	A	87
REF	-	A	86
2	-	A	85
REF	-	A	84
			83
			82
1	-	A	81
			80
			79
			78
2	-	B	77
-	-	D	76
			75
1	-	A	74
1	-	A	73
			72
2	-	B	71
			70

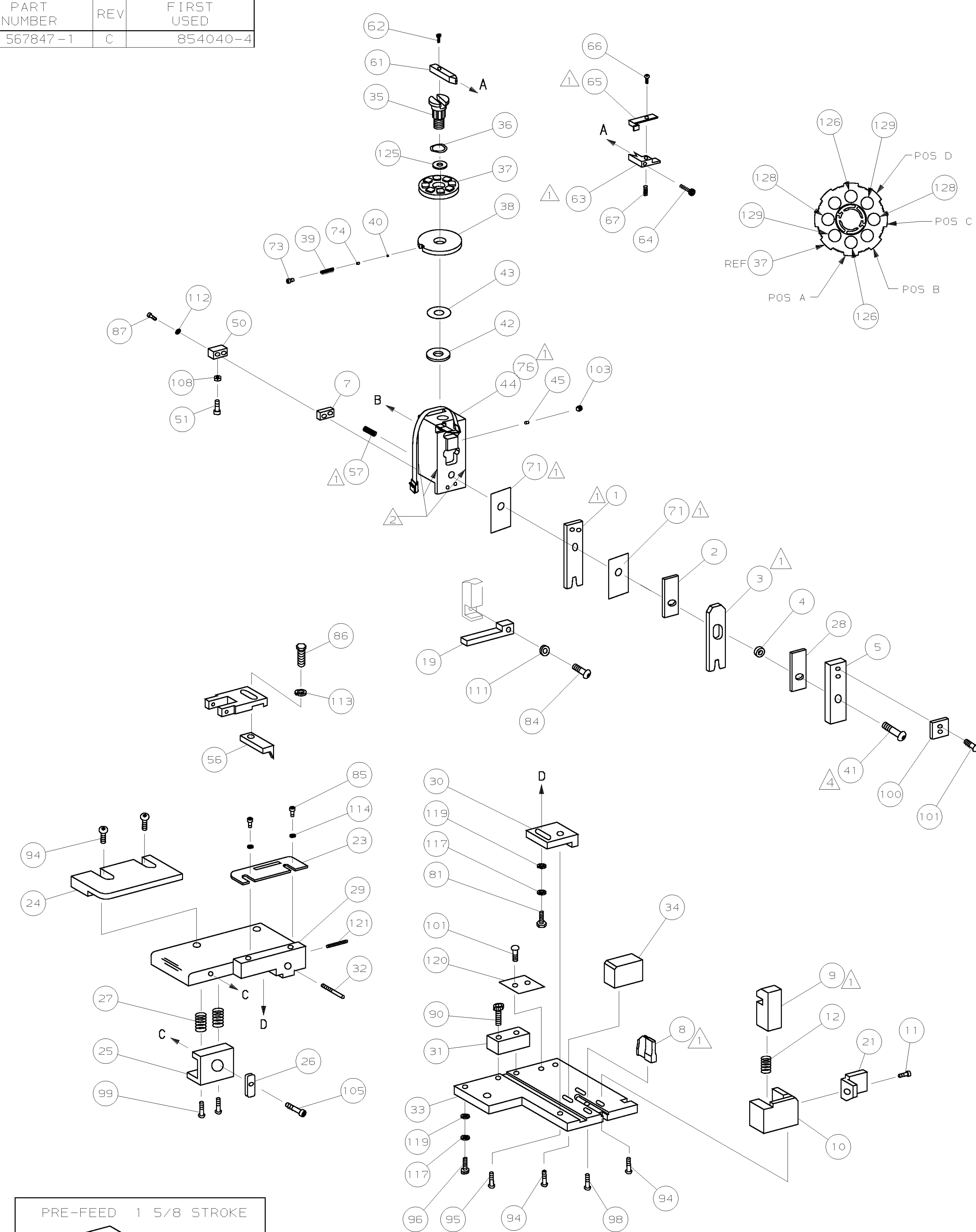
QTY	REV	DESCRIPTION	ITEM NO
-1	U/M	DWG SIZE	

QTY	REV	DESCRIPTION	ITEM NO
-1	U/M	DWG SIZE	

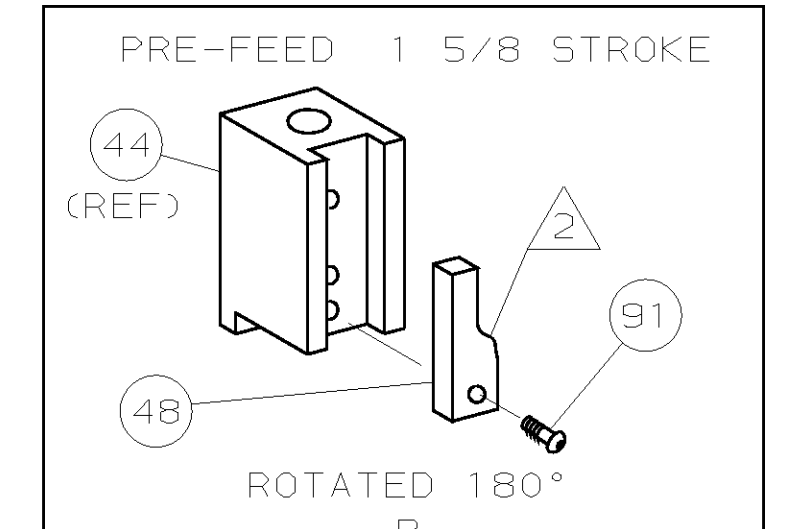
THIS DRAWING IS A CONTROLLED DOCUMENT.

THIS DRAWING IS UNRELEASED. RELEASE FOR PUBLICATION BY AMP INCORPORATED. ALL RIGHTS RESERVED. COPYRIGHT 19

A
66



- 1 RECOMMENDED SPARE PARTS.
- 2 GREASE LIGHTLY.
- 3 ITEM NOT SHOWN
- 4 TORQUE ITEM 41 TO 60 INCH POUNDS
- 5 CUT TO LENGTH AT ASSY.



PARTS LIST		PARTS LIST	
C1	ECN 0150-0458-04	TE	4-04
C	0150-9584-99	CE	SEP99
B	0150-9008-98	MY	12/98
A	REVISED	CE	12-96
P/F	REVISION RECORD	APP	DATE

DIMENSIONS IN INCHES. DO NOT SCALE PRINT. TOLERANCES UNLESS OTHERWISE SPECIFIED:		MATERIAL		FINISH	
2 PLC DEC ±		DR	020CT96	APP	10-2-96
3 PLC DEC ±		M. OBRINE		J. DODDS	
4 PLC DEC ±		CHK 10-2-96		REL	
ANGLES ±		C. ERISMAN			
SURF TEXTURE:		AMP AMP Incorporated Harrisburg, PA 17105-3608			
REMOVE BURRS, BREAK SHARP EDGES R.015 MAX		NAME		MACHINE REF	
		COM STRIPPER CRIMPER APPLICATOR		STRIPPER CRIMPER	
		SCALE	DWG NO	567847	SHEET 1 OF 1
					REV C1