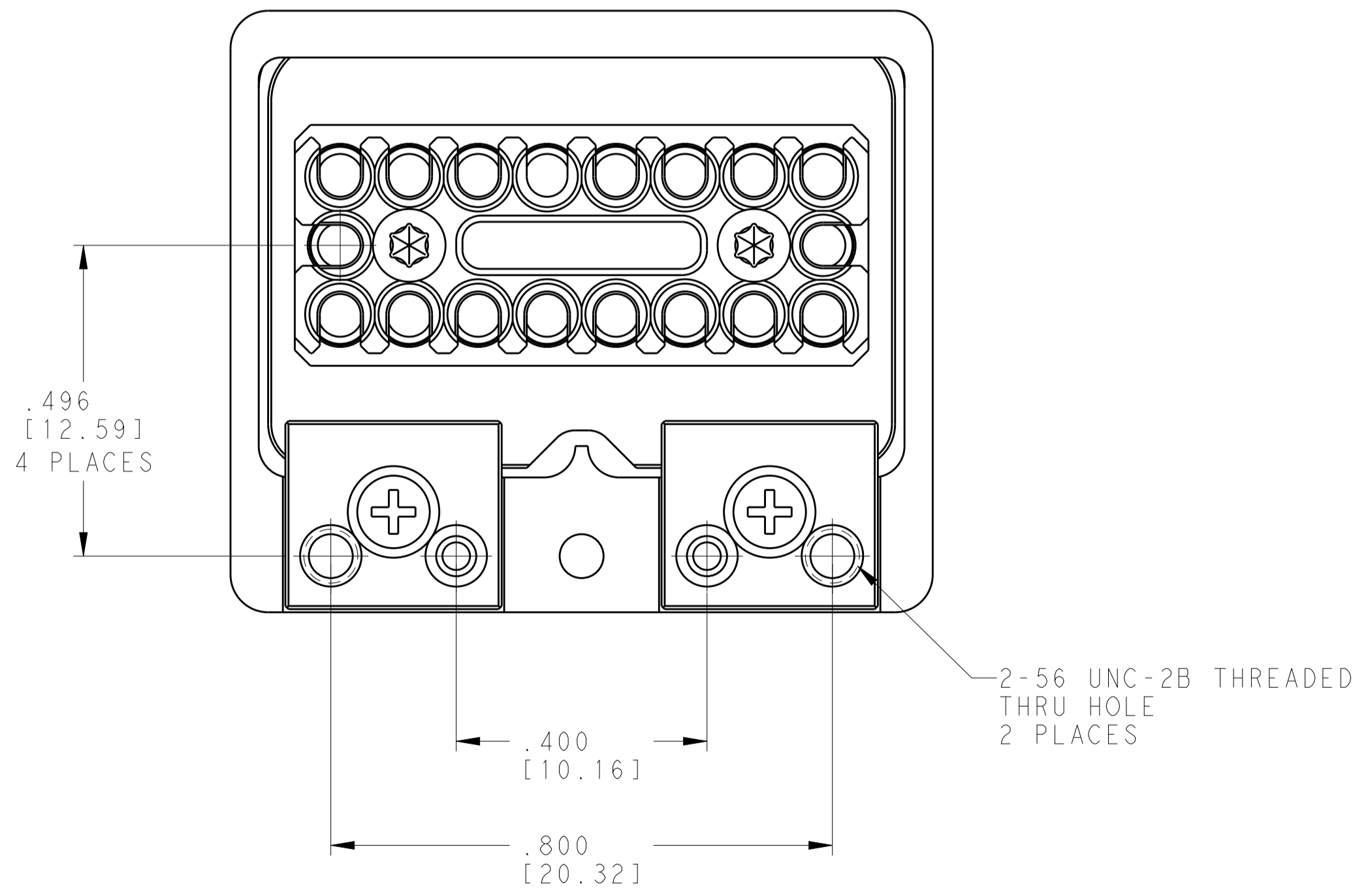
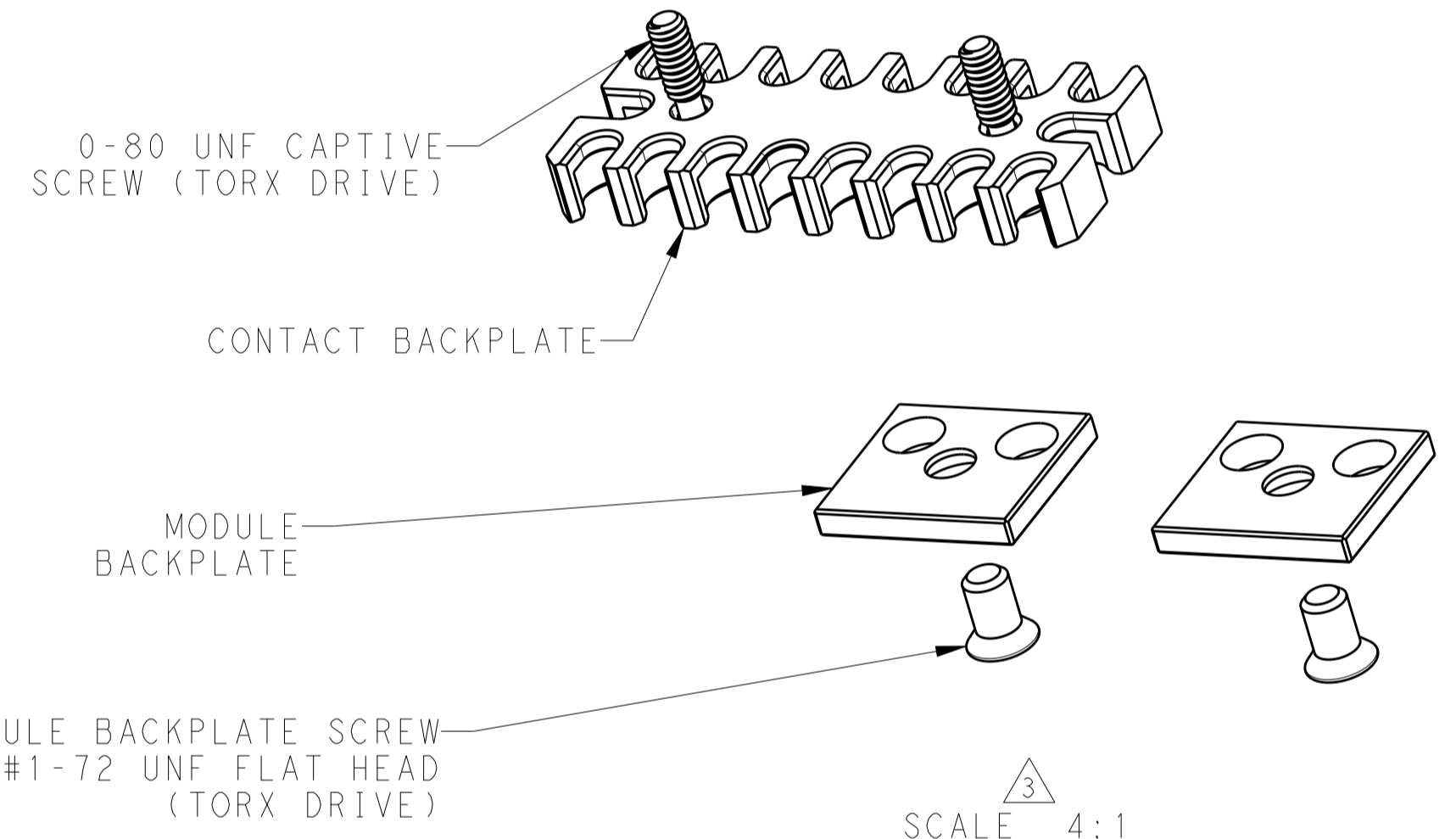
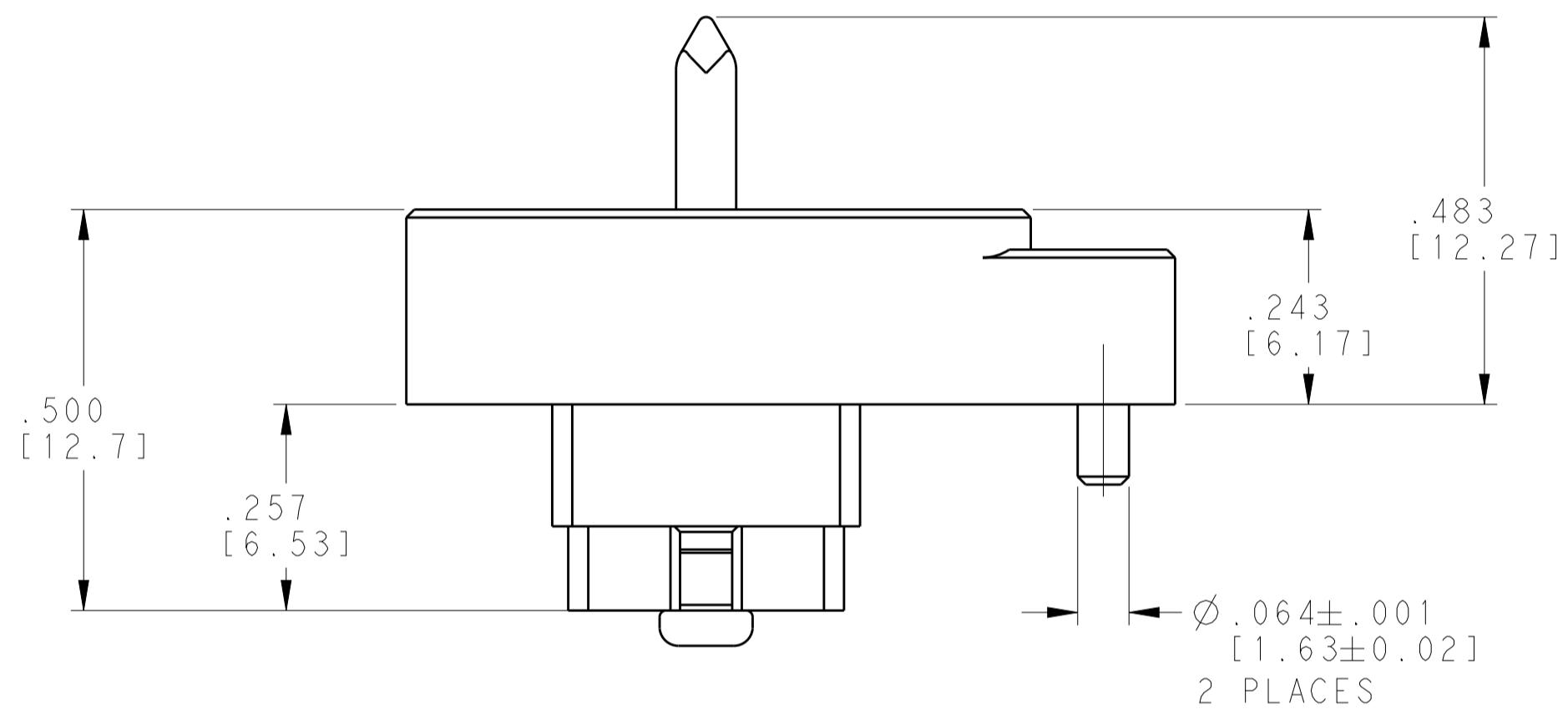
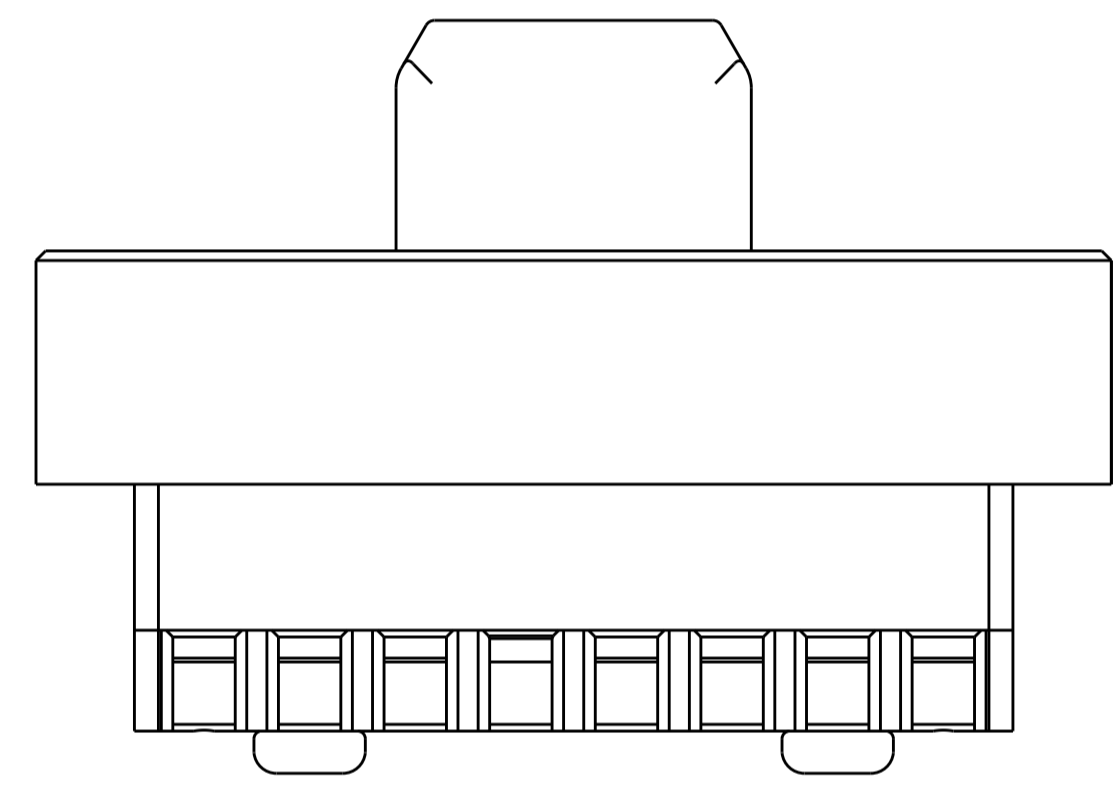
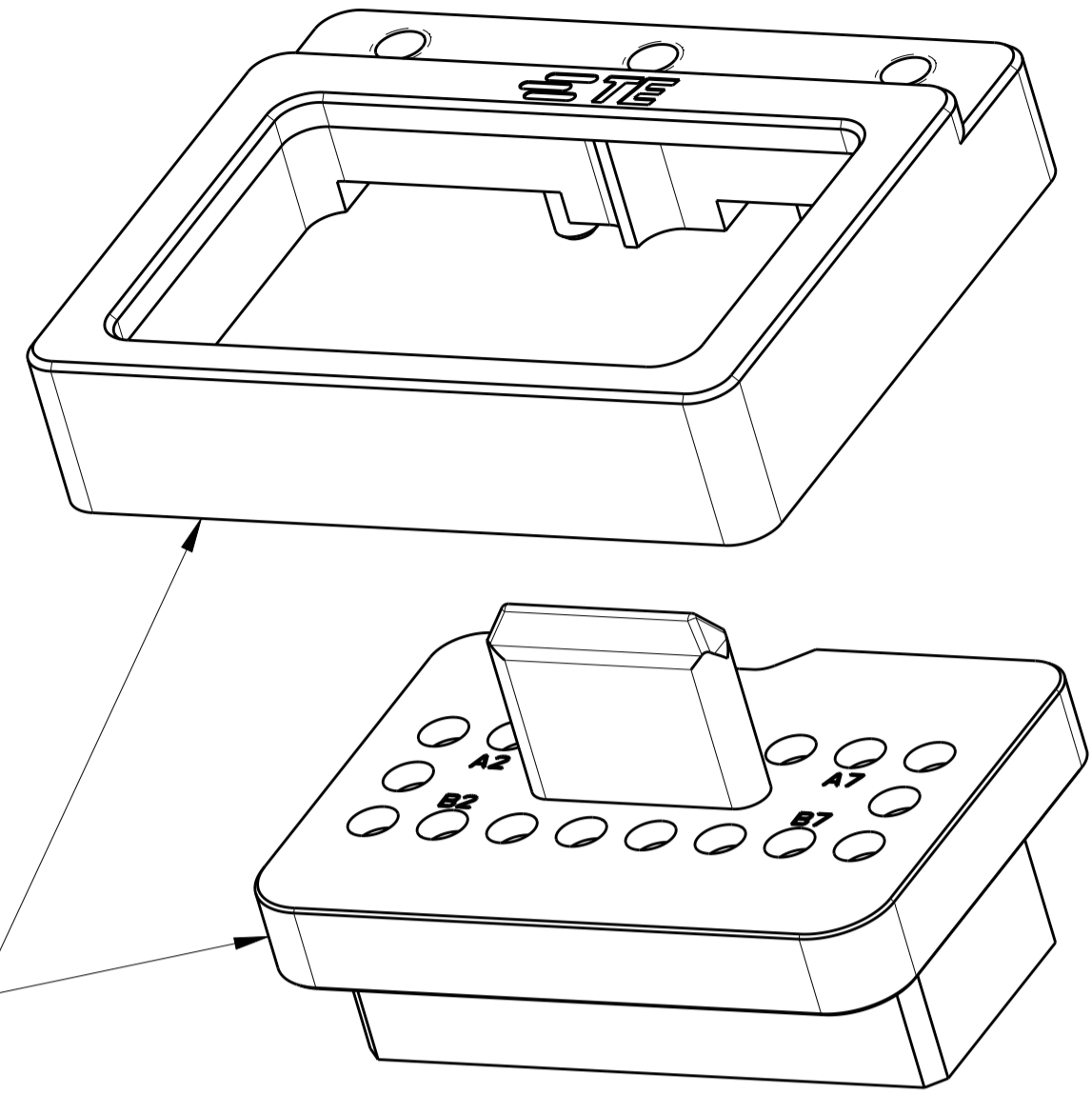
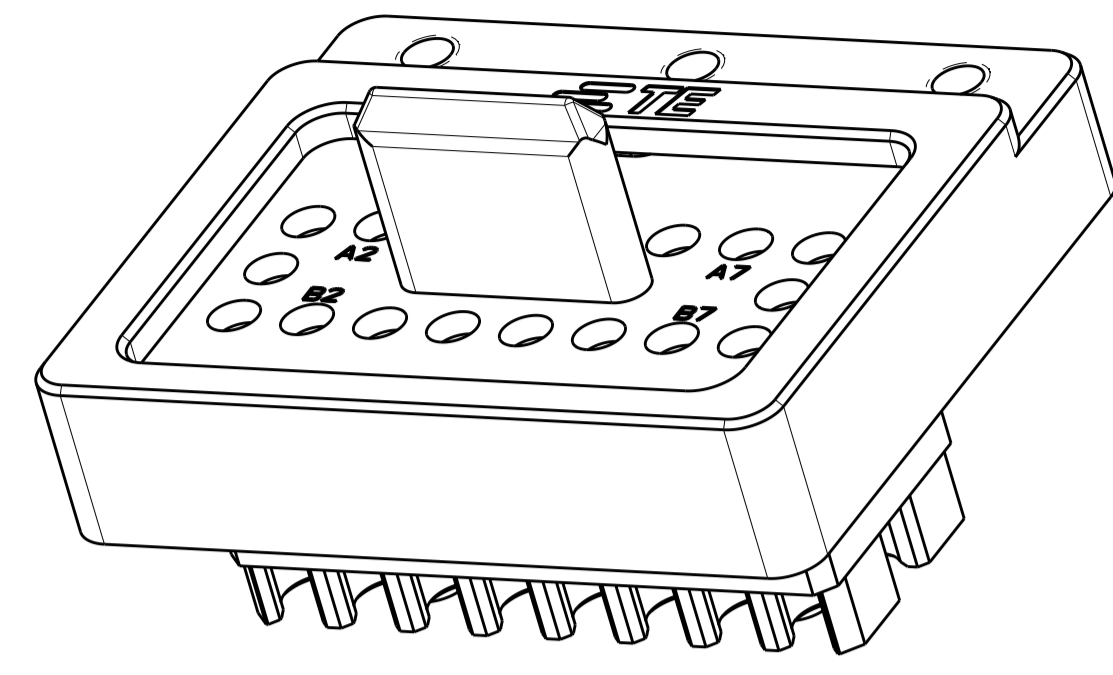
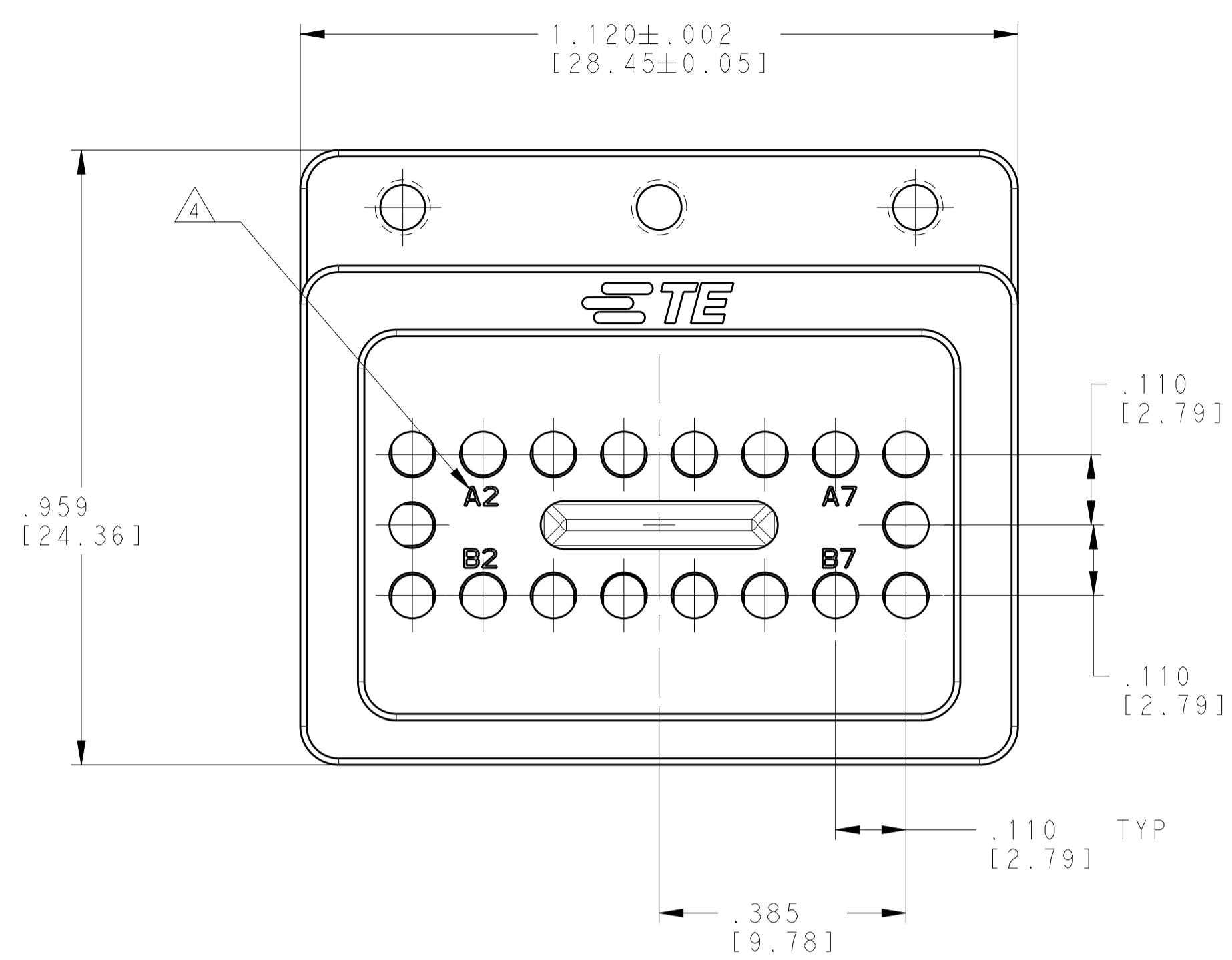


REVISIONS				
P.	LTN.	DESCRIPTION	DATE	APP'D.
A		RELEASED	8-13-19	CT FB

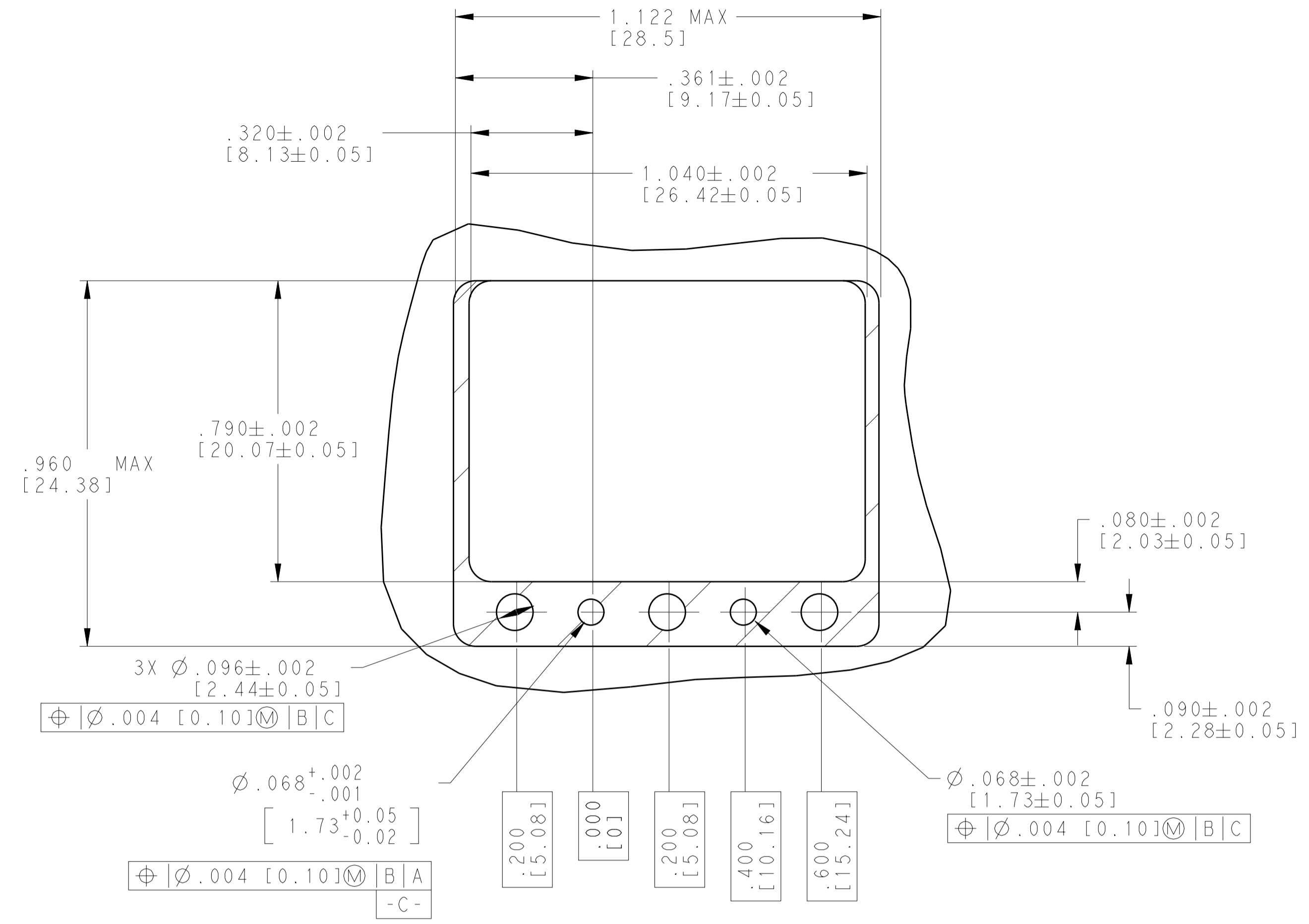


- 1 MATERIAL:
MODULE BODIES AND BACKPLATES - SEE TABLE
SCREWS - 300 SERIES STAINLESS STEEL
- 2 FINISH:
MODULE BODIES - SEE TABLE
SCREWS - PASSIVATED
- 3 SHIPPED IN KIT FORM. CONTACT BACKPLATE SCREWS TO BE ASSEMBLED TO CONTACT BACKPLATE. MODULE BODIES TO BE ASSEMBLED TOGETHER WITH MODULE BACKPLATE AND MODULE BACKPLATE SCREW.
- 4 CIRCUIT IDENTIFICATION MARKING
- 5. DESIGNED TO BE USED WITH CONTACTS 2302345-1

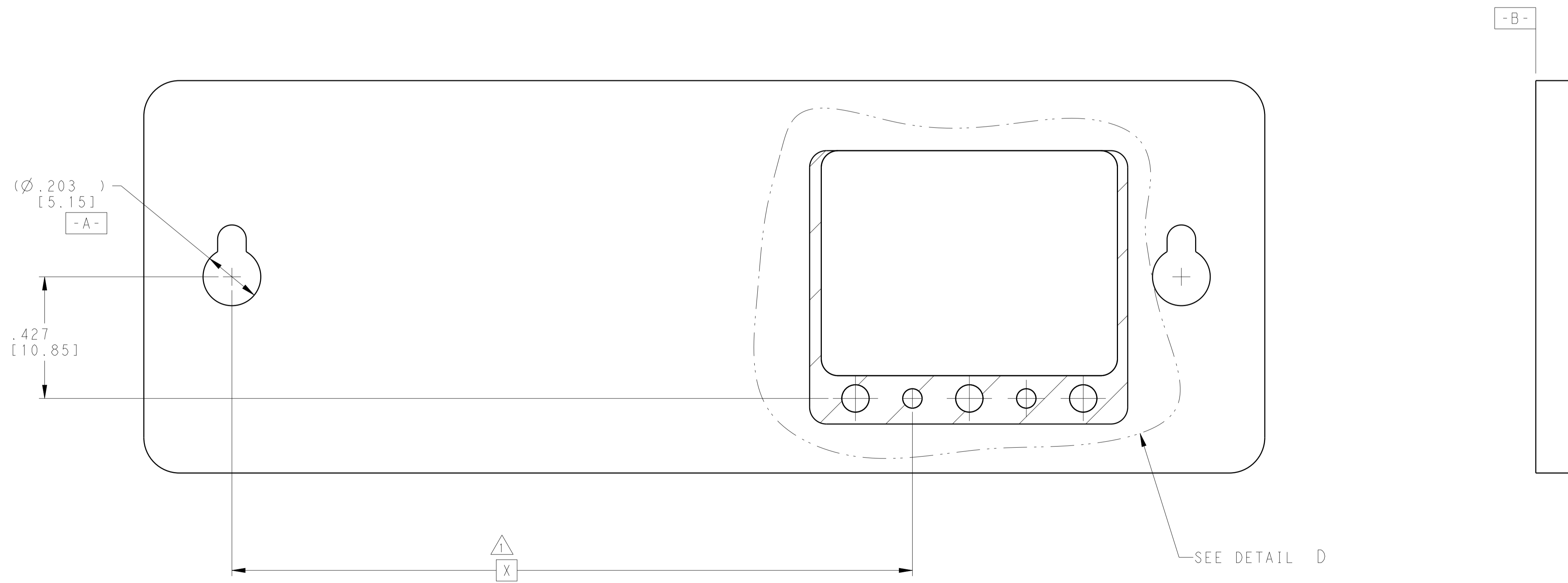
CLEAR CHROMATE CONVERSION COATING	ALUMINUM ALLOY 7075	2343040-2
PASSIVATED	STAINLESS STEEL PER UNS S30300	2343040-1
MODULE FINISH 2	MODULE MATERIAL 1	PART NUMBER

THIS DRAWING IS A CONTROLLED DOCUMENT.		OWN C.C. THOMAS 8-6-19	TE Connectivity
DIMENSIONS: INCHES [mm]		CHK F. BLASICK 8-6-19	
TOLERANCES UNLESS OTHERWISE SPECIFIED:		APP'D F. BLASICK 8-6-19	NAME 18 POSITION NanoRF MODULE P.C.B. MOUNT BACKPLANE VITA 67.3C FOOTPRINT COMPATIBLE
0 PLC ±		PRODUCT SPEC 108-163006	
1 PLC ±		APPLICATION SPEC 408-163016	SIZE CAGE CODE DRAWING NO A1 00779 C=2343040
2 PLC ±		WEIGHT	
3 PLC ±.005 (0.131)		CUSTOMER DRAWING	RESTRICTED TO
4 PLC ±		SCALE 5:1	SHEET 1 OF 2
ANGLES ±		REV A	

REVISIONS				
P.	LTN.	DESCRIPTION	DATE	APVD.
-	-	SEE SHEET 1	-	-



DETAIL D
 SCALE 4:1



SEE VITA 67 SPECIFICATIONS FOR CONNECTOR LOCATION ON BACKPLANE PCB.

THIS DRAWING IS A CONTROLLED DOCUMENT.		DWN: L.SIPE 13AUG2018	TE Connectivity
DIMENSIONS: INCHES/mm		CHK: F.BLASICK 13AUG2018	
TOLERANCES UNLESS OTHERWISE SPECIFIED:		APVD: F.BLASICK 13AUG2018	NAME: 18 POSITION NanoRF MODULE
0 PLC ±	1 PLC ±	PRODUCT SPEC: 108-163006	P.C.B. MOUNT BACKPLANE
2 PLC ±	3 PLC ±	APPLICATION SPEC: 408-163016	VITA 67.3C FOOTPRINT COMPATIBLE
4 PLC ±	ANGLES ±	SIZE: A1	CAGE CODE: 00779
MATERIAL:	FINISH:	WEIGHT:	DRAWING NO: C=2341106
CUSTOMER DRAWING		SCALE: 8:1	SHEET 2 OF 2
			REV: A