

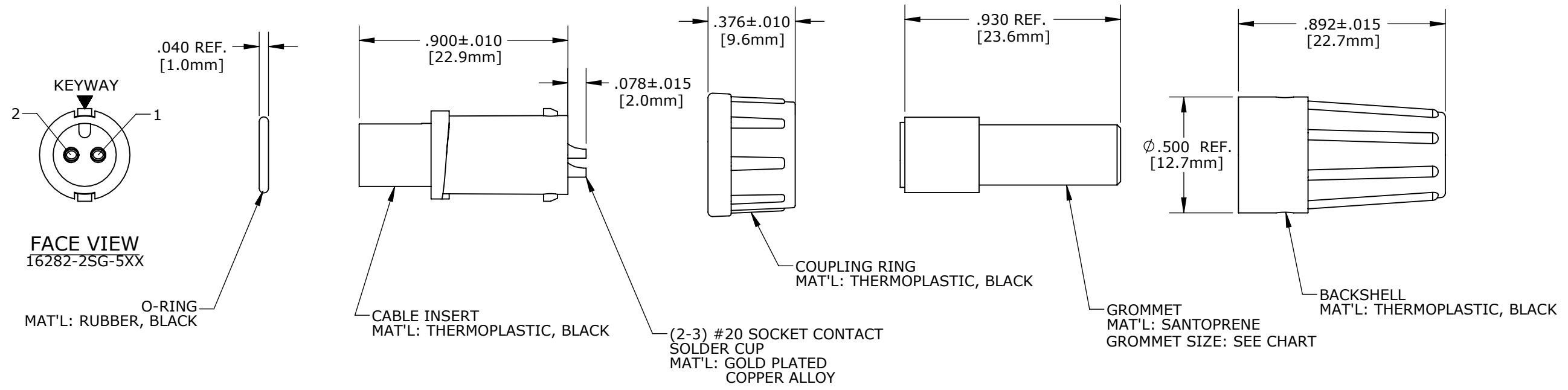
ASS'Y P/N	CONTACT QTY.
16282-2SG-5XX	2
16282-3SG-5XX	3

ASS'Y P/N	GROMMET FOR CABLE O.D.
16282-XSG-518	0.175-0.185 [4.4-4.7mm]
16282-XSG-521	0.205-0.215 [5.2-5.5mm]
16282-XSG-522	0.215-0.225 [5.5-5.7mm]

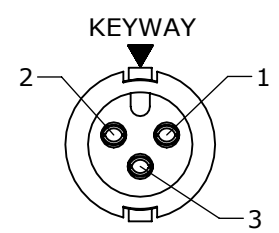
NOTES:
 1. PARTS ARE TO BE BULK PACKED.
 2. CONTACTS ARE ASSEMBLED INTO CONNECTOR.

NUMBER OF CONTACTS

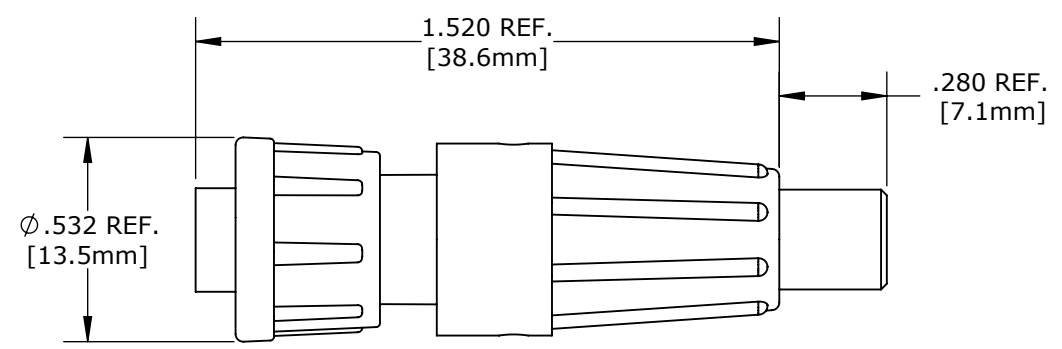
GROMMET SIZE



FACE VIEW
16282-2SG-5XX



FACE VIEW
16282-3SG-5XX



ASSEMBLED KIT VIEW
FOR CUSTOMER REFERENCE ONLY

DIMENSIONS IN BRACKET [] ARE METRIC.

CUSTOMER APPROVAL
 THIS DOCUMENT CONTAINS CONFIDENTIAL INFORMATION PROPRIETARY TO CONXALL CORPORATION. ANY REPRODUCTION, DISCLOSURE, OR USE OF THIS DOCUMENT /INFORMATION IS EXPRESSLY PROHIBITED UNLESS AUTHORIZED IN WRITING BY CONXALL CORPORATION.
 APPROVED BY: _____
 DATE: _____

RoHS COMPLIANT

A	AN	10-31-13	DRAWING CREATED PER DOR 13-E149SL #35	
REV.	INIT.	DATE	DESCRIPTION	
	AN	10-31-13	CABLE CONNECTOR KIT (2-3) #20 SOCKET CONTACT, SOLDER CUP MICRO-CON-X STANDARD PRODUCT	
ALL INFORMATION ILLUSTRATED IS THE PROPERTY OF CONXALL CORPORATION. UNAUTHORIZED DUPLICATION OR DISTRIBUTION OF THIS DOCUMENT IS PROHIBITED.			 601 E. WILDWOOD VILLA PARK, IL 60181	
ALL UNITS ARE IN FEET, INCHES, FRACTION OF INCHES AND DECIMALS.			TITLE: CABLE CONNECTOR KIT (2-3) #20 SOCKET CONTACT, SOLDER CUP MICRO-CON-X CUSTOMER: STANDARD PRODUCT	
SCALE	SIZE	SHEET		
NTS	B	1 OF 1		
FILE:	DIRECTORY:	PART NUMBER:		
16282-XSG-5XX	SLW	16282-XSG-5XX		
			REV	A

CUSTOMER PRINT

PART NUMBER: 16282-XSG-5XX