

2-1971904-6 ✓ ACTIVE

### GRACE INERTIA 3.3

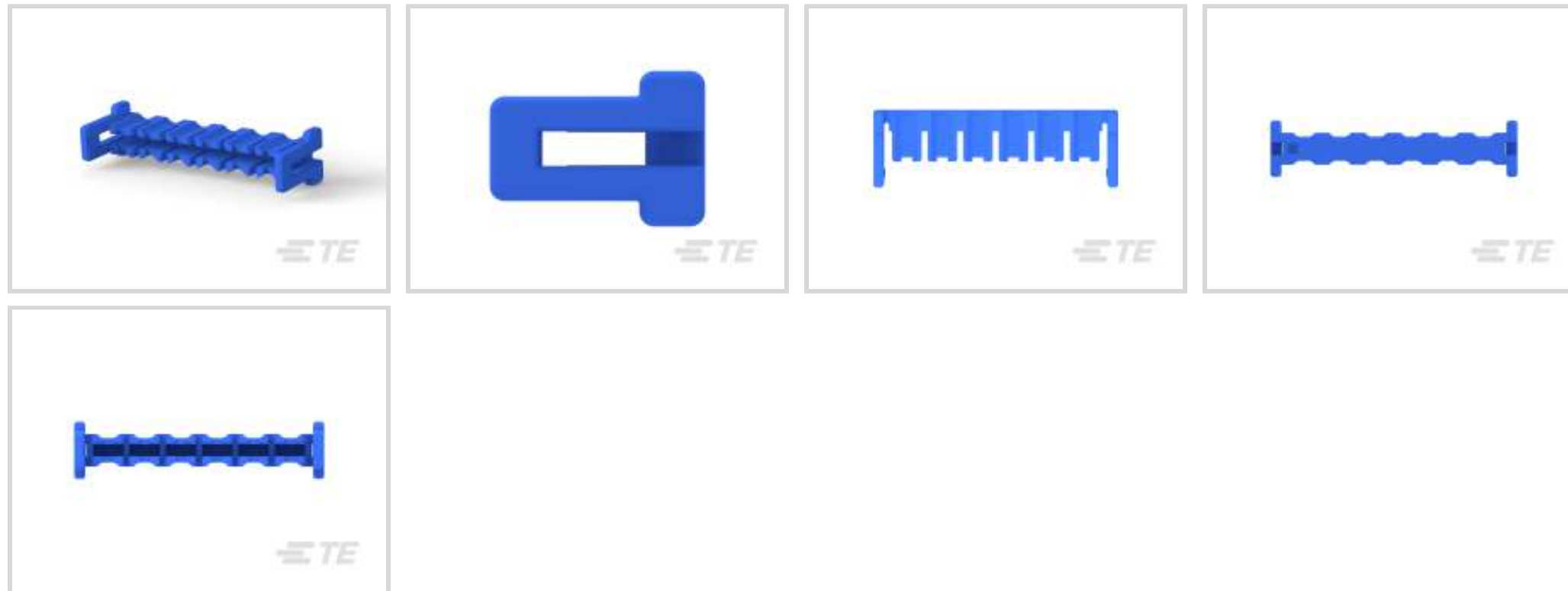
TE Internal #: 2-1971904-6

Rectangular Connector Locking, TPA (Terminal Position Assurance),  
-22 – 221 °F [-30 – 105 °C], GRACE INERTIA 3.3

[View on TE.com >](#)



Connectors > Rectangular Connectors > Rectangular Connector Accessories > Rectangular Connector Locking



Connector & Contact Retention Accessory Type: **TPA (Terminal Position Assurance)**

Operating Temperature Range: **-30 – 105 °C [-22 – 221 °F]**

## Features

### Product Type Features

Connector & Contact Retention Accessory Type	TPA (Terminal Position Assurance)
--	-----------------------------------

### Usage Conditions

Operating Temperature Range	-30 – 105 °C[-22 – 221 °F]
-----------------------------	----------------------------

## Product Compliance

[For compliance documentation, visit the product page on TE.com>](#)

EU RoHS Directive 2011/65/EU	Compliant
EU ELV Directive 2000/53/EC	Compliant
China RoHS 2 Directive MIIT Order No 32, 2016	No Restricted Materials Above Threshold
EU REACH Regulation (EC) No. 1907/2006	Current ECHA Candidate List: JUNE 2023 (235) Candidate List Declared Against: JUNE 2023 (235) Does not contain REACH SVHC
Halogen Content	Not Low Halogen - contains Br or Cl > 900 ppm.
Solder Process Capability	Not reviewed for solder process capability

Product Compliance Disclaimer

This information is provided based on reasonable inquiry of our suppliers and represents our current actual knowledge based on the information they provided. This information is subject to change. The part numbers that TE has identified as EU RoHS compliant have a maximum concentration of 0.1% by weight in homogenous materials for lead, hexavalent chromium, mercury, PBB, PBDE, DBP, BBP, DEHP, DIBP, and 0.01% for cadmium, or qualify for an exemption to these limits as defined in the Annexes of Directive 2011/65/EU (RoHS2). Finished electrical and electronic equipment products will be CE marked as required by Directive 2011/65/EU. Components may not be CE marked. Additionally, the part numbers that TE has identified as EU ELV compliant have a maximum concentration of 0.1% by weight in homogenous materials for lead, hexavalent chromium, and mercury, and 0.01% for cadmium, or qualify for an exemption to these limits as defined in the Annexes of Directive 2000/53/EC (ELV). Regarding the REACH Regulation, the information TE provides on SVHC in articles for this part number is based on the latest European Chemicals Agency (ECHA) 'Guidance on requirements for substances in articles' posted at this URL: <https://echa.europa.eu/guidance-documents/guidance-on-reach>

## Compatible Parts



TE Part # 2-1971904-3  
TPA 6POS,NEW GIC3.3



TE Part # CAT-G7534-T669  
GRACE INERTIA TPA



TE Part # 2-1971904-2  
TPA 4POS,NEW GIC3.3



TE Part # 2-1971904-4  
TPA 8POS,NEW GIC3.3



TE Part # 2-1971904-5  
TPA 10POS,NEW GIC3.3



TE Part # 2-1971904-7  
TPA 14POS,NEW GIC3.3




TE Part # 4-1971904-2  
TPA 4POS,NEW GIC3.3




TE Part # 4-1971904-3  
TPA 6POS,YELLOW,NEW GIC3.3


## Also in the Series | GRACE INERTIA 3.3



PCB Latches, Locks & Retainers(7)



Power Contacts(3)



Rectangular Connector Locking(8)



Rectangular Power Connectors(70)

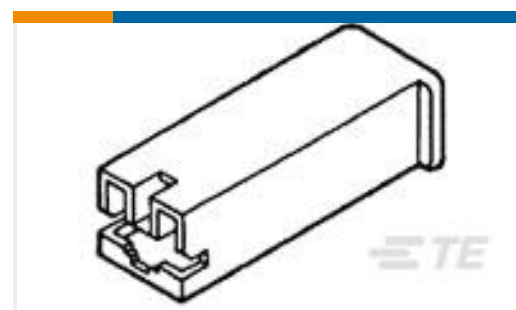
## Customers Also Bought



TE Part #1971783-1  
PTL RECEPTACLE CONTACT, 16-19  
AWG, 2X22



TE Part #170362-1  
UNIV M-N-L SOC. 22-18 AWG



TE Part #2-172076-1  
250 HSG. PL MKII REC. NAT



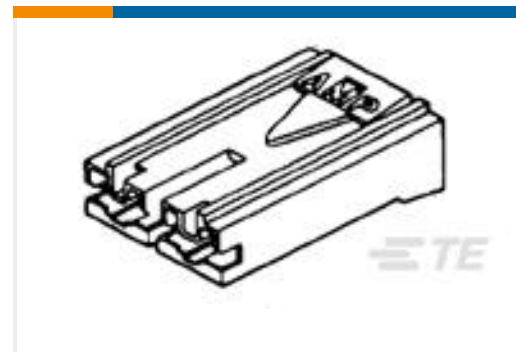
TE Part #2232905-1  
EP 2.5 LIF RCPT CONTACT, 26-22  
AWG



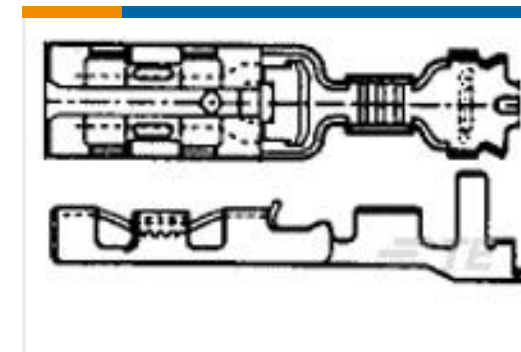
TE Part #2-1971905-5  
Glow Wire GRACE INERTIA Plug



TE Part #3-2232501-1  
NEW GI CONN2.5 HDR ASMBLY 3P  
NC D1.25



TE Part #179720-1  
187 HSG. PL MKII REC. 10mm 2P NAT



TE Part #353249-2  
110 PL EX REC. 26-22AWG PTPHBZ



TE Part #1-2357090-2  
GRACE INERTIA 3.5W CAP 8P RED

## Documents

### Product Drawings

[TPA 12POS,NEW GIC3.3](#)

English

### CAD Files

[3D PDF](#)

3D

Customer View Model

[ENG\\_CVM\\_CVM\\_2-1971904-6\\_C.2d\\_dxf.zip](#)

English

Customer View Model

[ENG\\_CVM\\_CVM\\_2-1971904-6\\_C.3d\\_igs.zip](#)

English

Customer View Model

[ENG\\_CVM\\_CVM\\_2-1971904-6\\_C.3d\\_stp.zip](#)

English

By downloading the CAD file I accept and agree to the [Terms and Conditions](#) of use.

### Product Specifications



## Application Specification

English