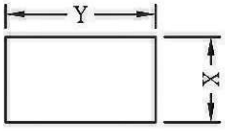
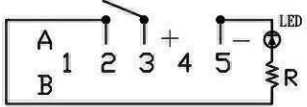
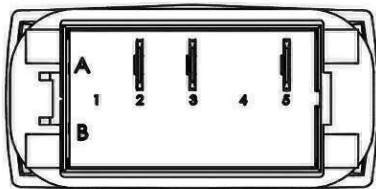
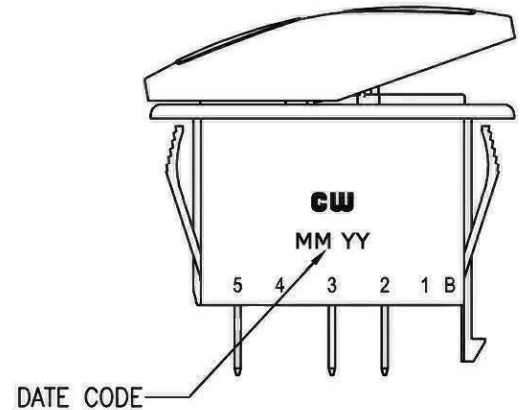
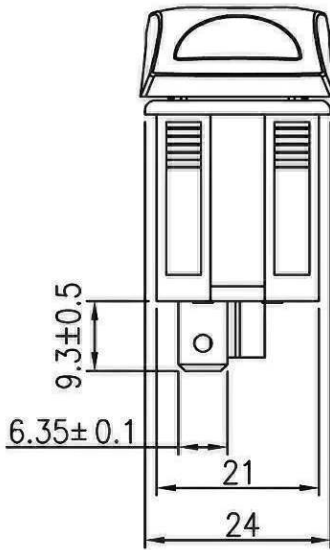
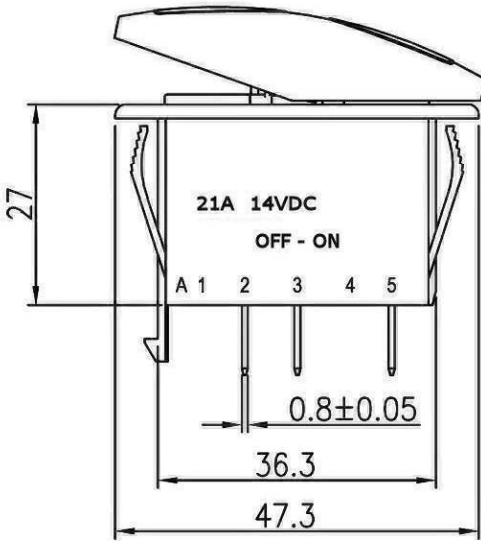
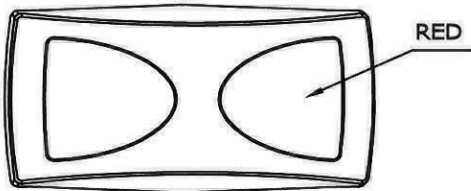


THIS INFORMATION IS CONFIDENTIAL AND PROPRIETARY TO CW INDUSTRIES INCORPORATED AND ITS AFFILIATES. IT MAY NOT BE DISCLOSED TO ANYONE, OTHER THAN CW INDUSTRIES PERSONNEL, WITHOUT WRITTEN AUTHORIZATION FROM CW INDUSTRIES INCORPORATED, SOUTHAMPTON, PENNSYLVANIA USA.

Rating	21A 14VDC	Mounting Hole 	Circuit Diagram 									
Contact Resistance	50m ohm Max.											
Insulation Resistance	DC 500V 100M ohm Min.	<table border="1"> <tr> <th>Thickness(mm)</th> <th>X(mm)</th> <th>Y(mm)</th> </tr> <tr> <td>0.75~1.25</td> <td rowspan="3">21.0^{+0.3}₀</td> <td>36.6+0.1</td> </tr> <tr> <td>1.25~2.0</td> <td>36.8+0.1</td> </tr> <tr> <td>2.0~3.0</td> <td>37.0+0.1</td> </tr> </table>	Thickness(mm)	X(mm)	Y(mm)	0.75~1.25	21.0 ^{+0.3} ₀	36.6+0.1	1.25~2.0	36.8+0.1	2.0~3.0	37.0+0.1
Thickness(mm)	X(mm)		Y(mm)									
0.75~1.25	21.0 ^{+0.3} ₀		36.6+0.1									
1.25~2.0		36.8+0.1										
2.0~3.0		37.0+0.1										
Dielectric Strength	AC 1500V 1 minute											
Operation Temperature	-25°~85°											
Switch Function	3P SPST OFF-ON Lamp Dependent											
Lamp Type	LED 12VDC 14V w/resistor											

Material:

1. Frame: Nylon-66(94V-2) - Black
Actuator: Nylon-66+33%GF - Black
Lens: PC - Black / Red
Terminal: Silver plated copper
(excepted lamp terminal)
- Printed: None
2. Waterproof: "IP-67".



TOLERANCE: ±0.3mm UNLESS OTHERWISE SPECIFIED.

RoHS Compliant

3	Added Dependent to Function & Lamp Type. 12/19/2011.
2	Changed IP-66 to IP-67. 12/13/10
1	Switch Function OFF-ON was ON-OFF. 8/24/10.

CW INDUSTRIES
Southampton, Pa. 18966
Tel 215.355.7080/www.cwind.com

Date Drawn: 5/20/10

Rev. 3

Unit: mm

Checked By: *G. Guld*

Title: **ROCKER SWITCH**

CW P/N: **GRB292A201BBNR1**