

REVISIONS				
P	LTN	DESCRIPTION	DATE	APVD
A		REVISED PER ECO-20-015328	29OCT2020	AP EB

1. MATERIAL:
 CAGE MATERIAL : 0.25 THICK NICKEL SILVER.
 SPRING MATERIAL: COPPER ALLOY
 HEAT SINK MATERIAL: ALUMINUM
 CLIP MATERIAL: STAINLESS STEEL

2. FINISH:
 SPRING: NICKEL PLATING
 HEAT SINK: BLACK ANODIZE

△ DIMENSION APPLIES WITH MODULE INSTALLED IN THE CAGE TO TOP OF HEAT SINK.

△ REFERENCE APPLICATION SPEC 114-32023 FOR RECOMMENDED DRILL HOLE DIAMETER AND PLATING THICKNESS.

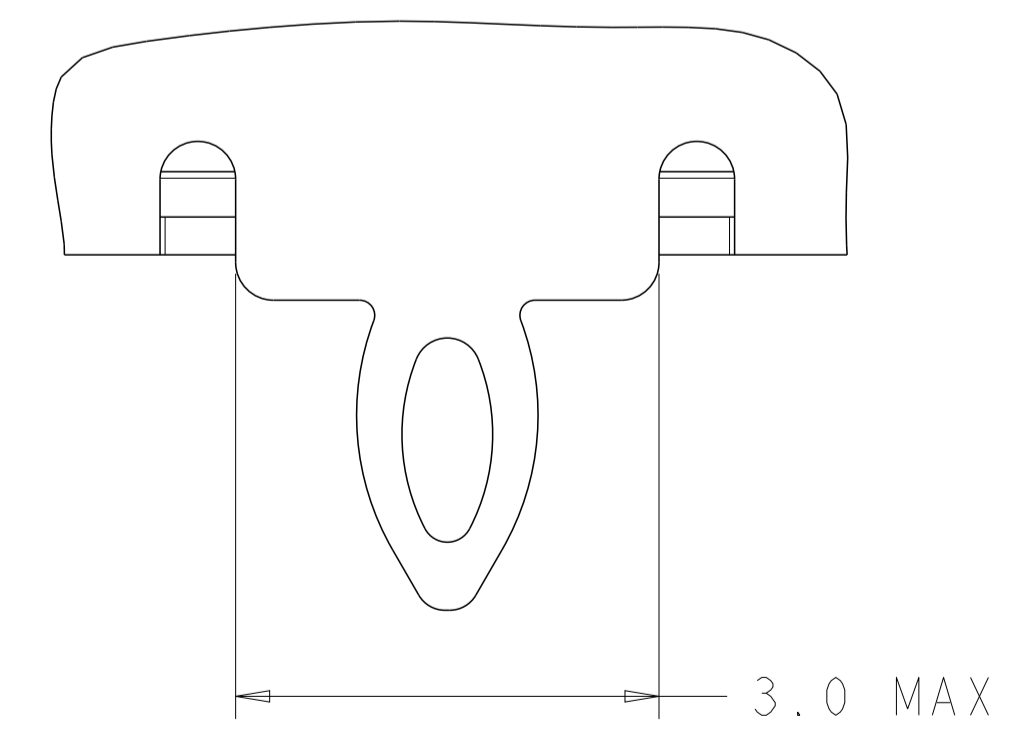
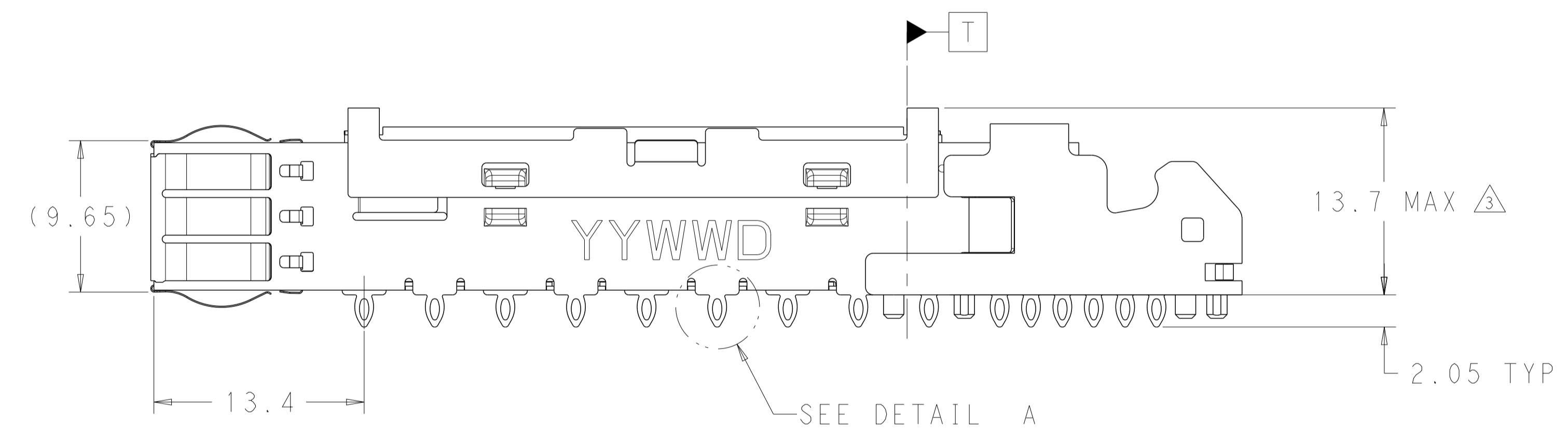
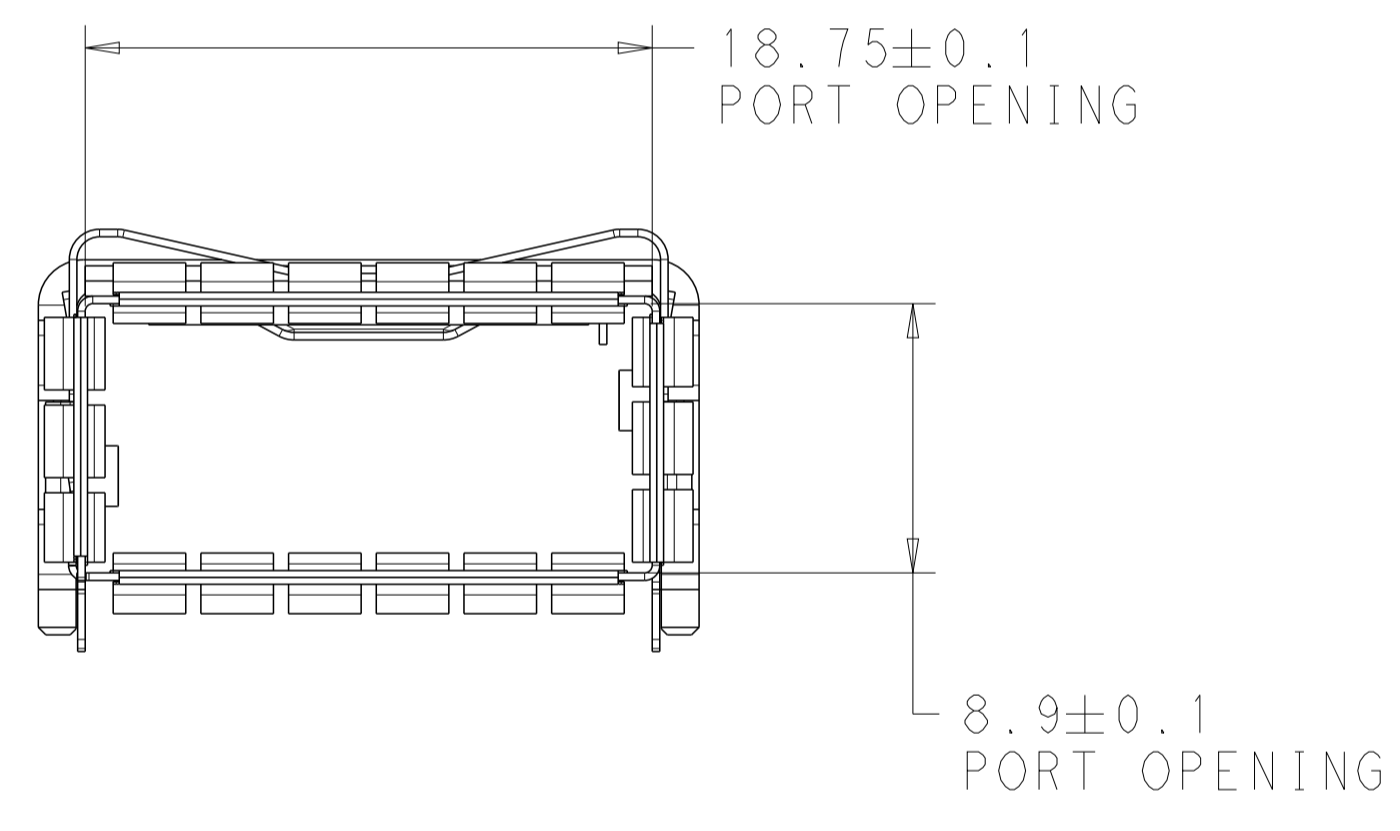
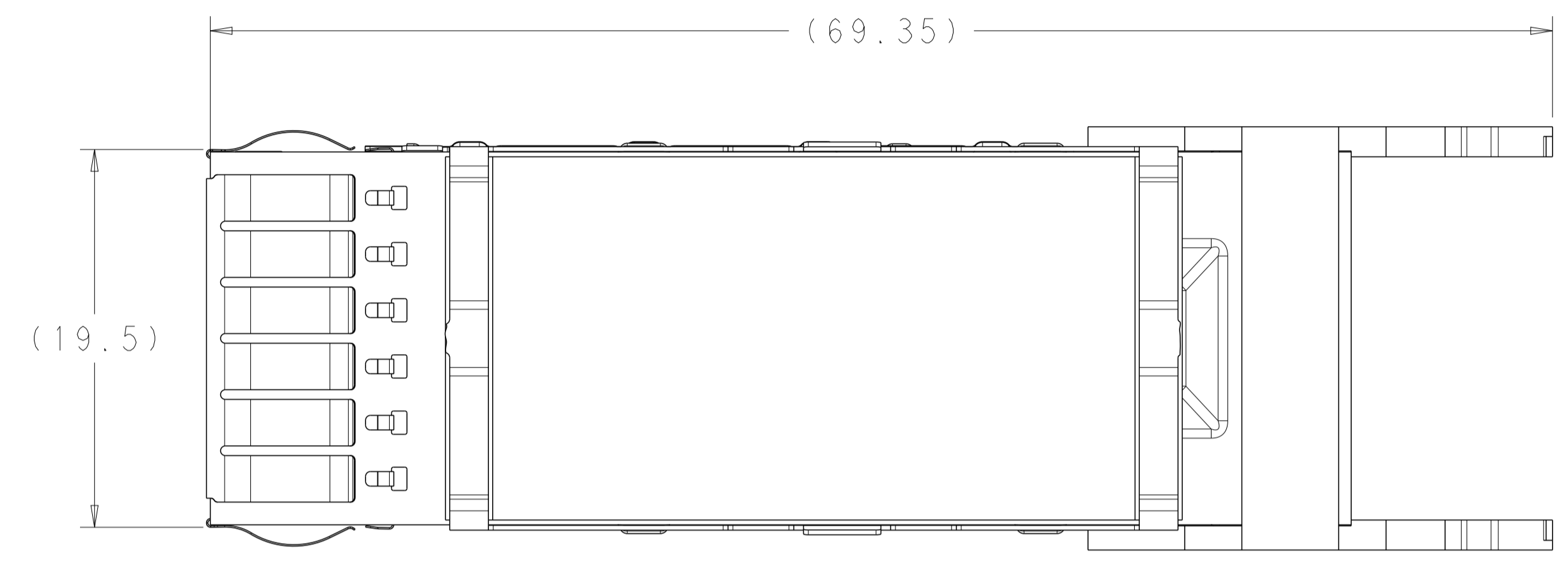
△ DATUM AND BASIC DIMENSIONS ESTABLISHED BY CUSTOMERS.

6. MINIMUM PC BOARD THICKNESS : SINGLES SIDED: 1.57 MIN
 DOUBLE SIDED: 2.20 MIN

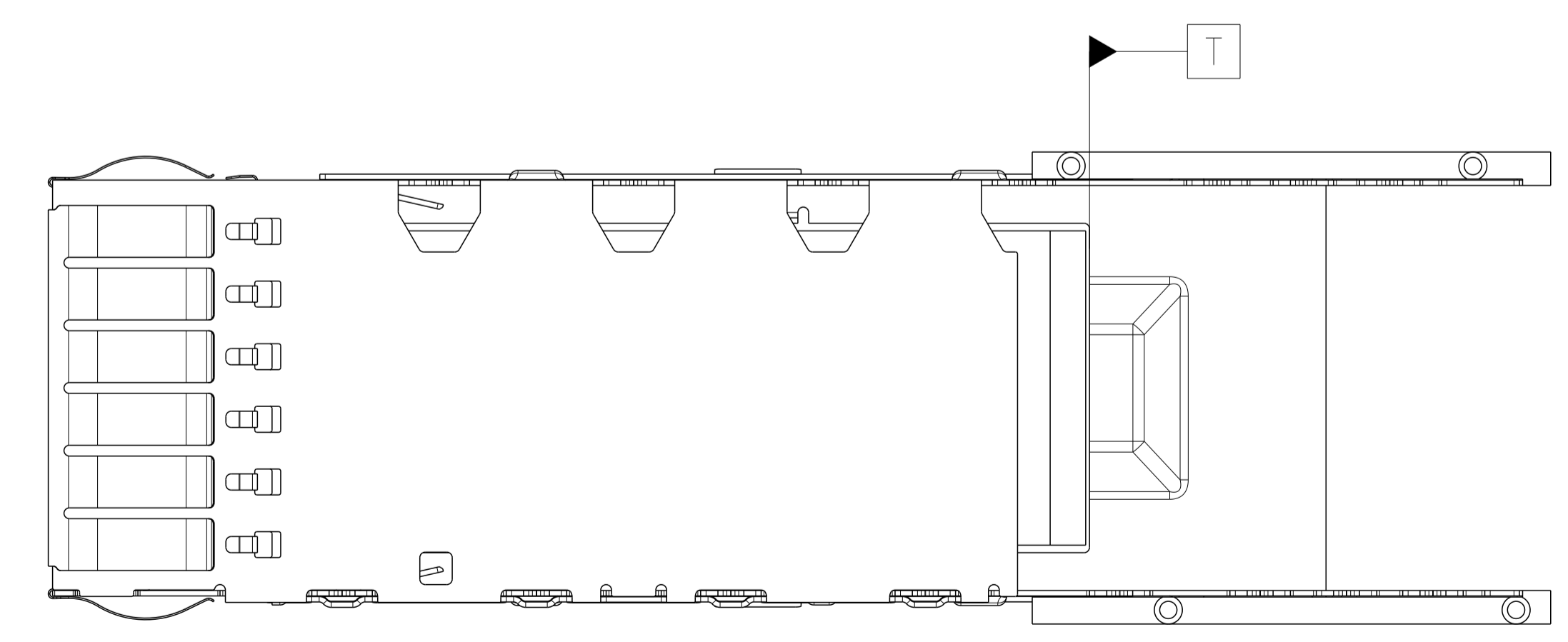
△ DATUM A IS TOP SURFACE OF THE HOST BOARD.

△ DATE CODE (YYWWD) MARKED APPROXIMATELY AS SHOWN

9. MATES WITH QSFP28 MSA COMPATIBLE TRANSCEIVER.



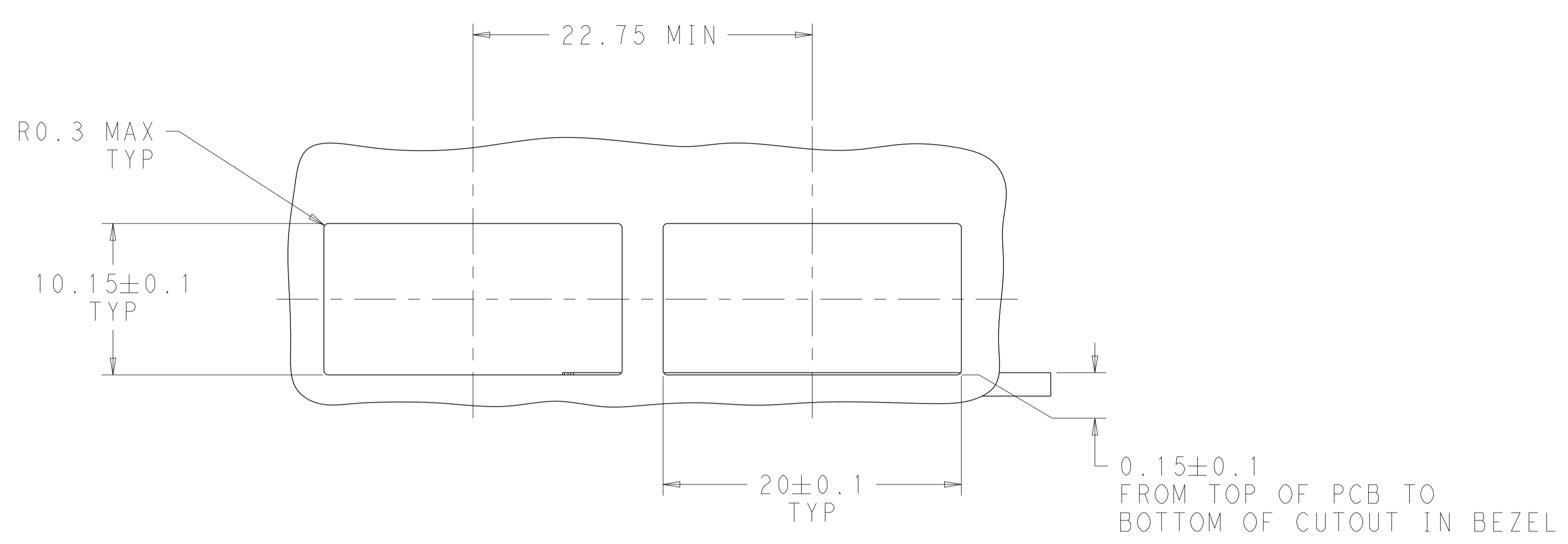
DETAIL A
 SCALE 20:1



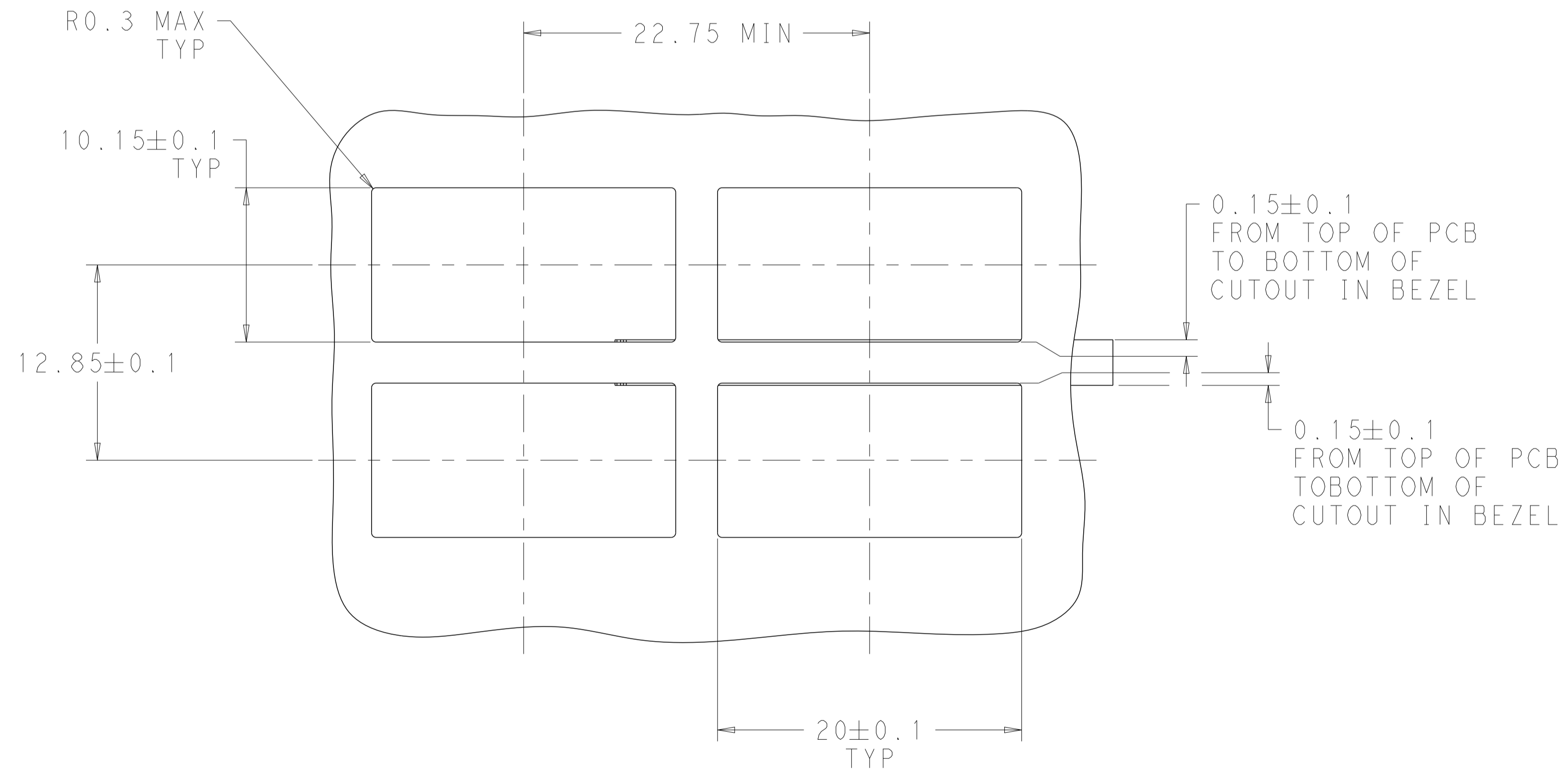
2352105-1
 PART NUMBER

THIS DRAWING IS A CONTROLLED DOCUMENT.		OWN: C. VALENTINE 07MAR2019	TE Connectivity
		CHK: E. BRIANT 07MAR2019	
DIMENSIONS:		APVD: E. BRIANT 07MAR2019	NAME: CAGE ASSEMBLY, QSFP OTB, W/ HEAT SINK AND CLIP PRODUCT SPEC: - APPLICATION SPEC: -
mm 0 PLC ±0.25 1 PLC ±0.25 2 PLC ±0.20 3 PLC ±0.100 4 PLC ± ANGLES ±°		TOLERANCES UNLESS OTHERWISE SPECIFIED: FINISH: -	
MATERIAL: -		WEIGHT: -	SIZE: CAGE CODE DRAWING NO: A 00779 C=2352105 CUSTOMER DRAWING
		SCALE: 4:1	SHEET 1 OF 4 REV A

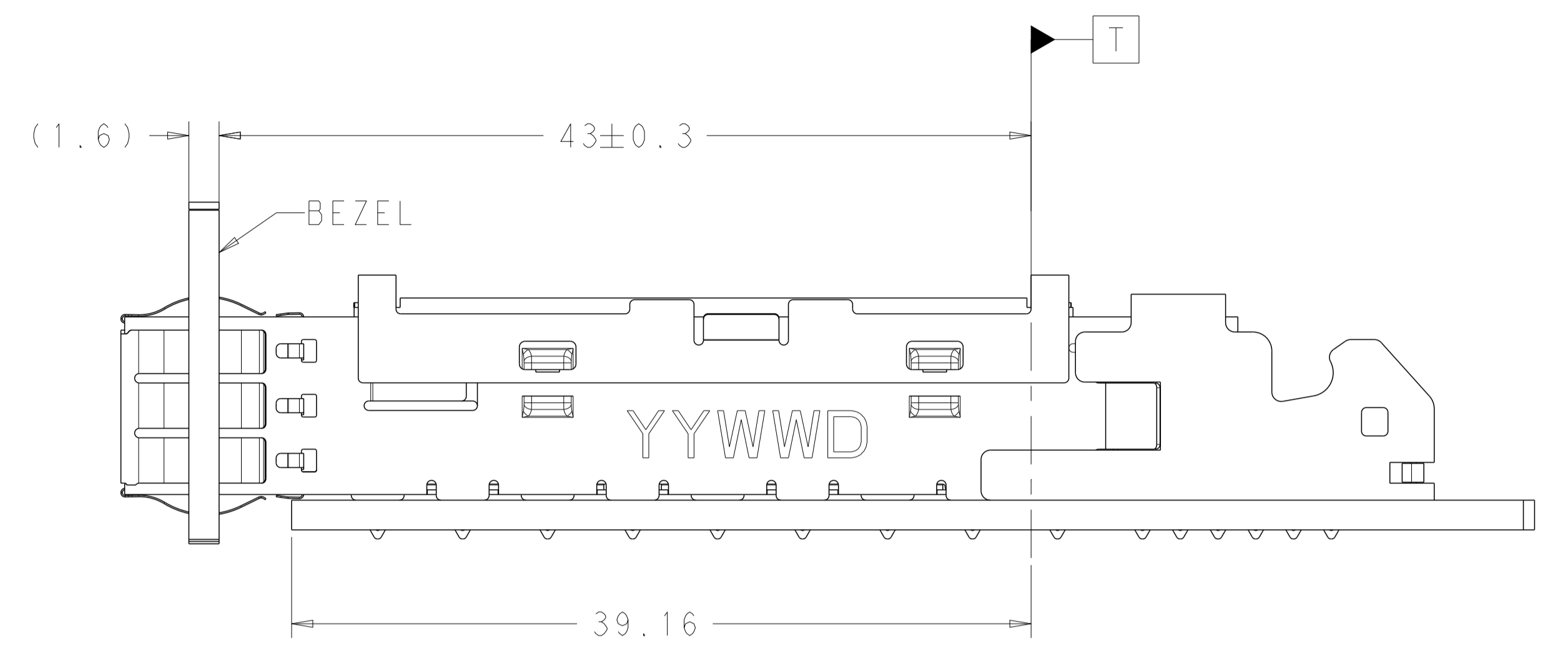
REVISIONS				
P.	LTN	DESCRIPTION	DATE	APPD
-	-	SEE SHEET 1	-	-



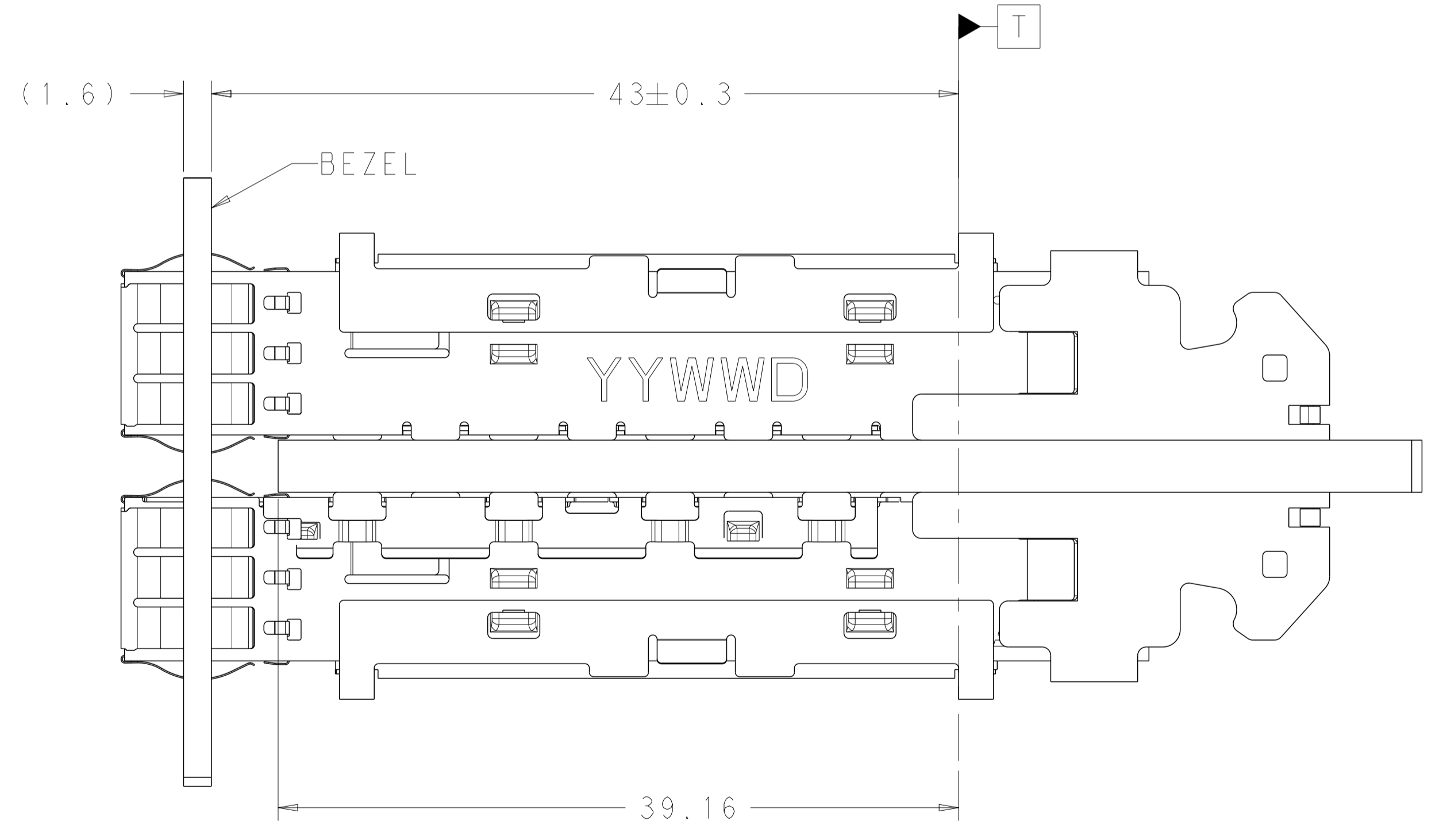
RECOMMENDED BEZEL CUTOUT
SINGLE SIDED APPLICATION



RECOMMENDED BEZEL CUTOUT
BELLY TO BELLY APPLICATION



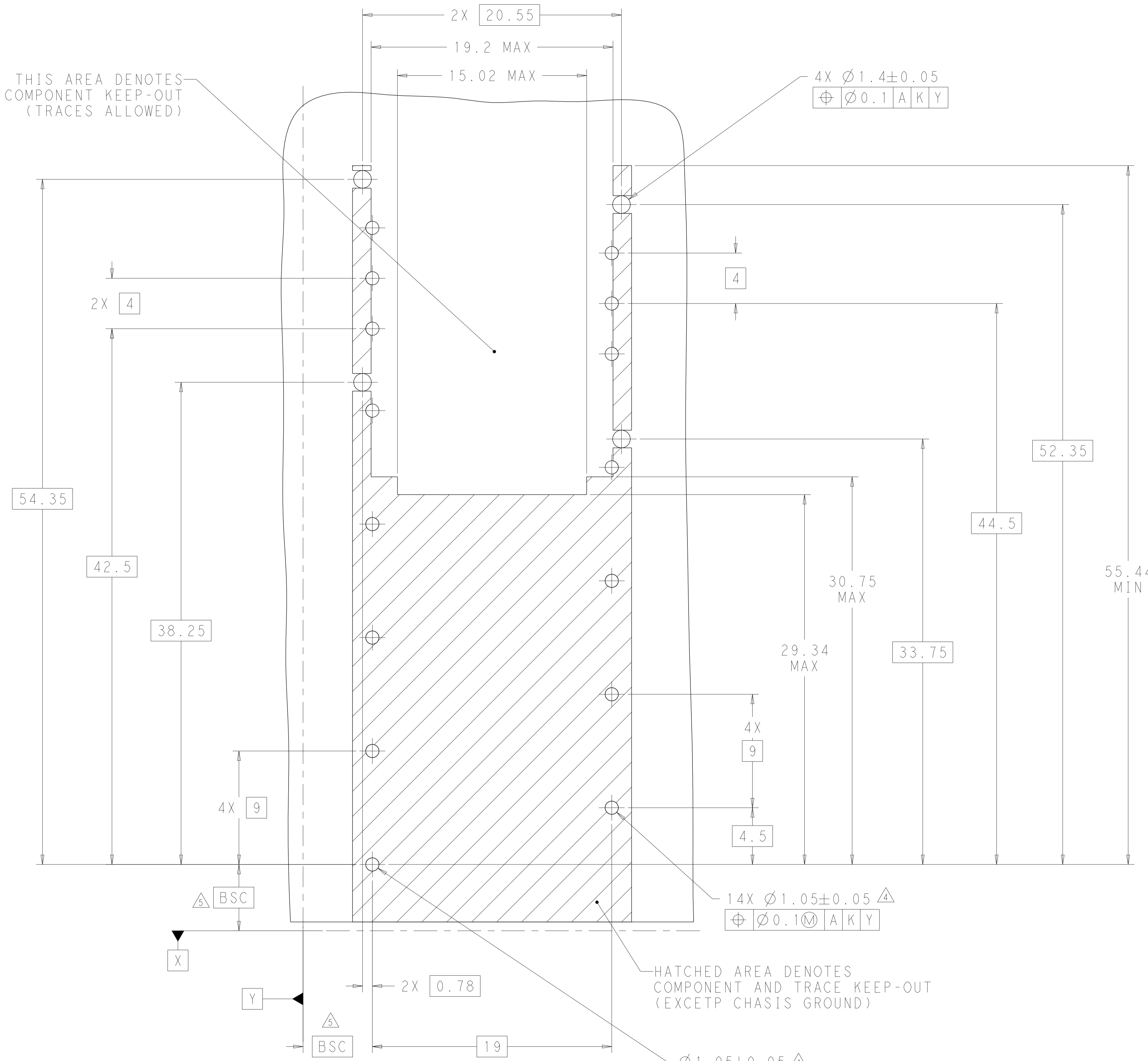
SINGLE SIDED APPLICATION
SCALE 4:1



BELLY TO BELLY APPLICATION
SCALE 4:1

THIS DRAWING IS A CONTROLLED DOCUMENT.		DWN C. VALENTINE 07MAR2019 CHK E. BRIANT 07MAR2019 APPD E. BRIANT 07MAR2019	STE TE Connectivity	
DIMENSIONS: mm 		TOLERANCES UNLESS OTHERWISE SPECIFIED: 0 PLC ±0.25 1 PLC ±0.25 2 PLC ±0.20 3 PLC ±0.100 4 PLC ± ANGLES ±°		NAME CAGE ASSEMBLY, QSFP OTB, W/ HEAT SINK AND CLIP PRODUCT SPEC APPLICATION SPEC
MATERIAL		WEIGHT	SIZE CAGE CODE DRAWING NO	RESTRICTED TO
			A100779C=2352105	
		CUSTOMER DRAWING	SCALE 4:1	SHEET 2 OF 4 REV A

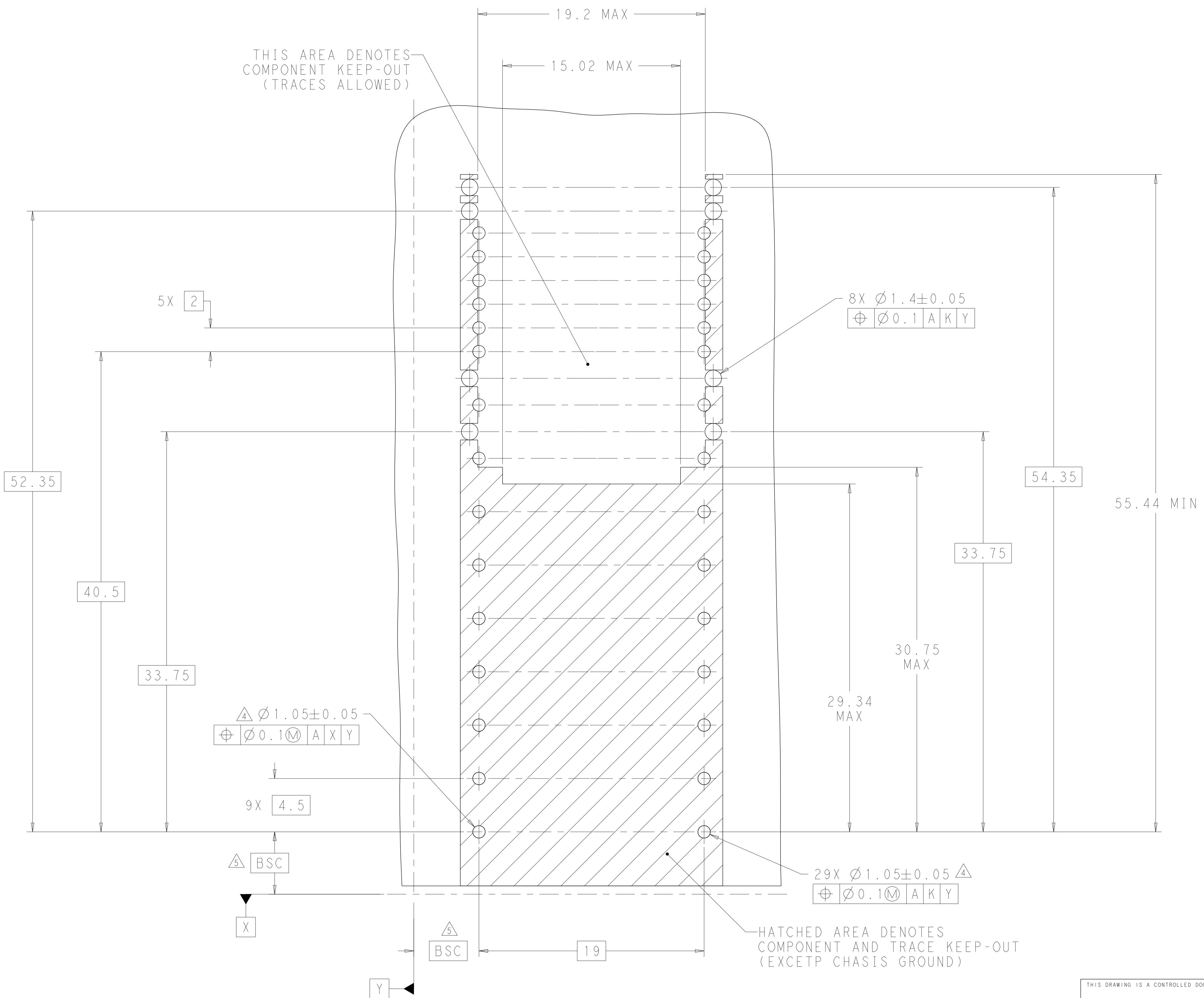
REVISIONS				
P	LTN	DESCRIPTION	DATE	APVD
-	-	SEE SHEET 1	-	-



RECOMMENDED PCB LAYOUT
SINGLE SIDED APPLICATIONS
SCALE 6:1

THIS DRAWING IS A CONTROLLED DOCUMENT.		DWN C. VALENTINE 07MAR2019	 TE Connectivity														
DIMENSIONS: mm		CHK E. BRIANT 07MAR2019															
<table border="1"> <tr> <th>PLC</th> <th>TOLERANCES UNLESS OTHERWISE SPECIFIED:</th> </tr> <tr> <td>0 PLC</td> <td>±0.25</td> </tr> <tr> <td>1 PLC</td> <td>±0.25</td> </tr> <tr> <td>2 PLC</td> <td>±0.25</td> </tr> <tr> <td>3 PLC</td> <td>±0.25</td> </tr> <tr> <td>4 PLC</td> <td>±0.100</td> </tr> <tr> <td>ANGLES</td> <td>±°</td> </tr> </table>		PLC	TOLERANCES UNLESS OTHERWISE SPECIFIED:	0 PLC	±0.25	1 PLC	±0.25	2 PLC	±0.25	3 PLC	±0.25	4 PLC	±0.100	ANGLES	±°	APVD E. BRIANT 07MAR2019	NAME CAGE ASSEMBLY, QSGP OTB, W/ HEAT SINK AND CLIP
PLC	TOLERANCES UNLESS OTHERWISE SPECIFIED:																
0 PLC	±0.25																
1 PLC	±0.25																
2 PLC	±0.25																
3 PLC	±0.25																
4 PLC	±0.100																
ANGLES	±°																
MATERIAL		WEIGHT	RESTRICTED TO														
FINISH		CUSTOMER DRAWING	SCALE 4:1 SHEET 3 OF 4 REV A														

REVISIONS				
P	LTN	DESCRIPTION	DATE	APVD
-	-	SEE SHEET 1	-	-



RECOMMENDED PCB LAYOUT
BELLY TO BELLY APPLICATION
SCALE 6:1

THIS DRAWING IS A CONTROLLED DOCUMENT.		DWN C. VALENTINE 07MAR2019	TE Connectivity
DIMENSIONS:		CHK E. BRIANT 07MAR2019	
mm	0 PLC ±0.25 1 PLC ±0.25 2 PLC ±0.20 3 PLC ±0.100 4 PLC ±	APVD E. BRIANT 07MAR2019	NAME CAGE ASSEMBLY, QSFP OTB, W/ HEAT SINK AND CLIP
TOLERANCES UNLESS OTHERWISE SPECIFIED:		PRODUCT SPEC	APPLICATION SPEC
MATERIAL		WEIGHT	SIZE CAGE CODE DRAWING NO A 00779 C=2352105
FINISH		CUSTOMER DRAWING	RESTRICTED TO SCALE 4:1 SHEET 4 OF 4 REV A