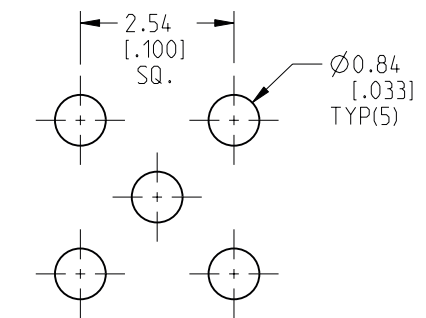


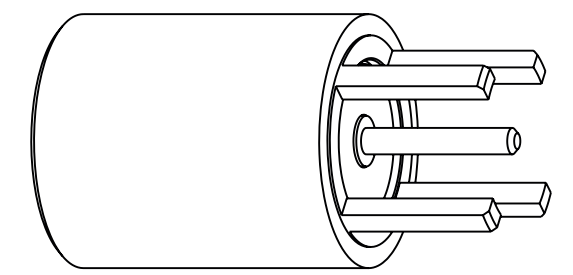
NOTES:

1. MATERIALS AND FINISHES:
 BODY - BRASS, GOLD PLATING
 CONTACT - BeCu, GOLD PLATING
 INSULATOR - PTFE, NATURAL
2. ELECTRICAL:
 A. IMPEDANCE: 50 OHM
 B. FREQUENCY RANGE: DC-6 GHz
 C. VSWR(RETURN LOSS): 1.05 + 0.015 x F(GHz) MAX.
 D. DIELECTRIC WITHSTANDING VOLTAGE: 1000 VRMS, MIN.
3. MECHANICAL:
 A. DURABILITY: 500 CYCLES MIN.
 B. TEMPERATURE RANGE: -65°C TO +165°C
4. PACKAGING:
 A. QUANTITY: TRAY PACK
 B. MARKING: PACKAGING TO BE MARKED
 "AMPHENOL RF, 919-432J-51S, DATE CODE"

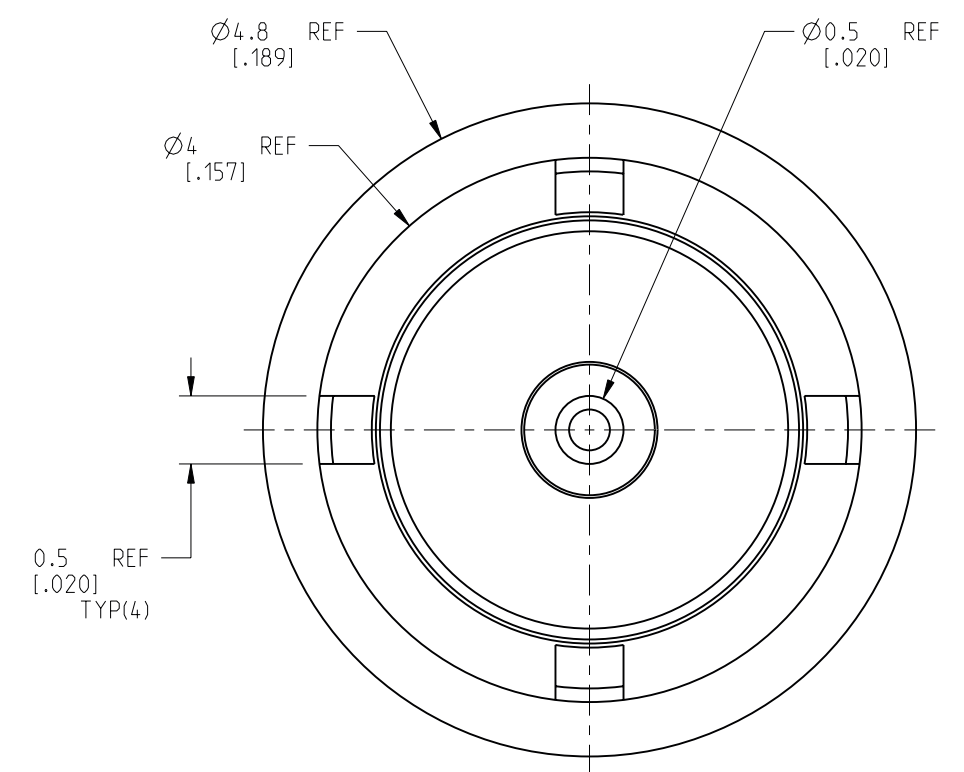
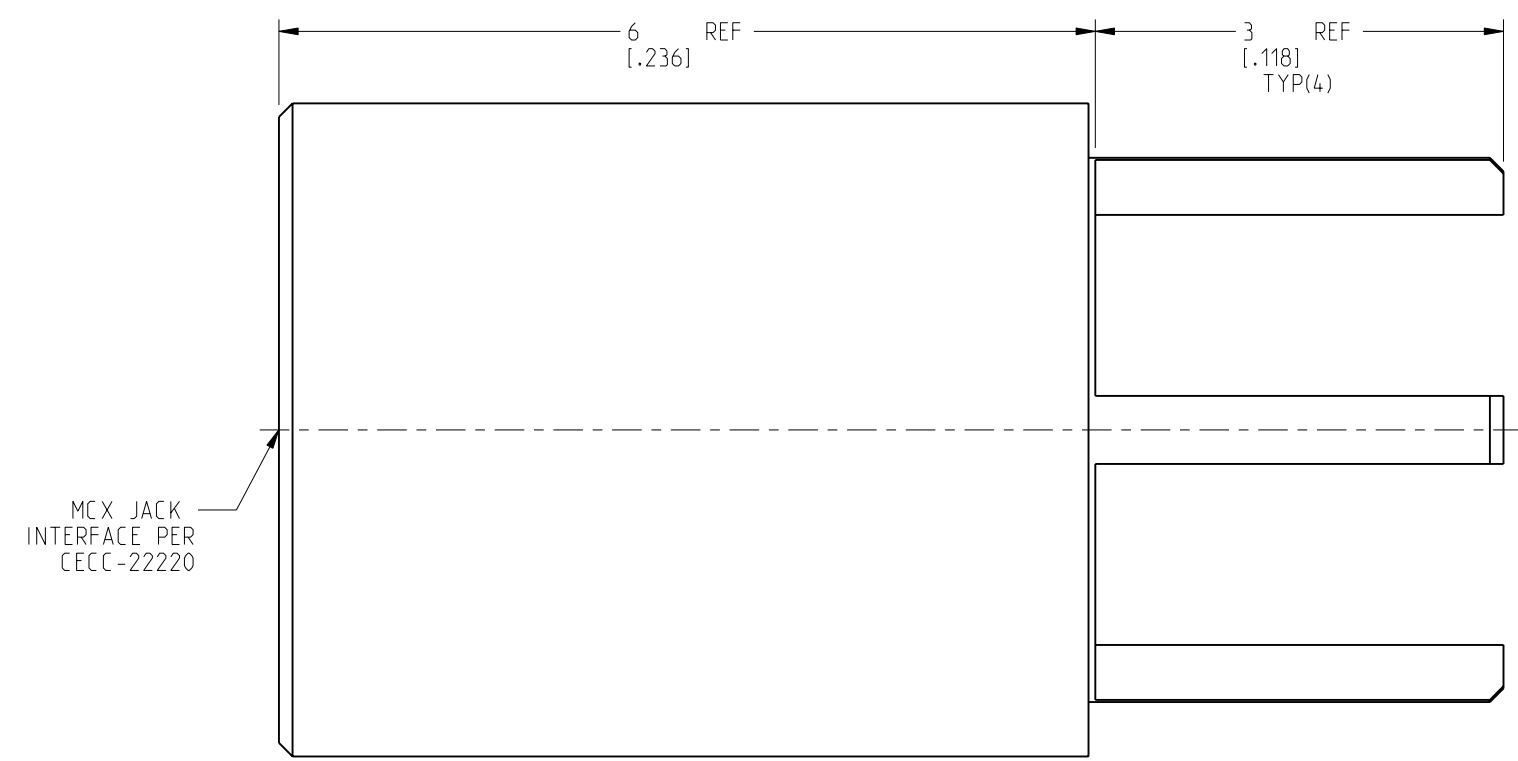


RECOMMENDED MOUNTING HOLE DIMENSIONS

REVISIONS				
REV	DESCRIPTION	DATE	ECN	APPR
A	RELEASE TO MFG.	29-MAY-20	15189	S.HSIEH



SCALE 7.000



CUSTOMER OUTLINE DRAWING
 ALL OTHER SHEETS ARE FOR INTERNAL USE ONLY

NOTICE: These drawings, specifications, or other data (1) are, and remain the property of Amphenol corp. (2) must be returned upon request; and (3) are confidential and not to be disclosed to any person other than those to whom they are given by Amphenol Corp. The furnishing of these drawings, specifications, or other data by Amphenol Corp., or to any other person to anyone for any purpose is not to be regarded by implication or otherwise in any manner licensing, granting rights to permitting such holder or any other person to manufacture, use or sell any product, process or design, patented or otherwise, that may in any way be related to or disclosed by said drawings, specifications, or other data.		UNLESS OTHERWISE SPECIFIED DIMENSIONS ARE METRIC (INCHES) AND TOLERANCES ARE: <0.5mm = ±0.05mm [$<0.020 = \pm 0.002$] >0.5 - 6mm = ±0.1mm [$>0.020 - 0.236 = \pm 0.004$] >6.00 - 30mm = ±0.2mm [$>0.236 - 1.181 = \pm 0.008$] >30.00 - 120mm = ±0.3mm [$>1.181 - 4.725 = \pm 0.012$]		MATERIAL SEE NOTES		TITLE 50 OHM MCX PCB JACK THROUGH HOLE		Amphenol RF	
THIRD ANGLE PROJ.		REFERENCE --		ENGINEER E.WU		DATE 22-MAY-20		SHEET NO. 2 OF 2	
EAR# 9503		ANGLES = ±1°		SCALE: 18.0:1.0		DRAWING NO. 919-432J-51S		REV A	
						ITEM NO. 919-432J-51S			
						PART NO. 919-432J-51S			