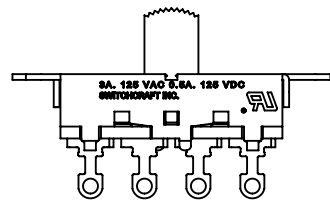


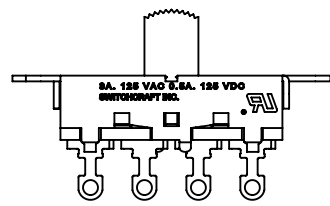
46311LDRX

SCHMATIC
SINGLE POLE TRIPLE THROW



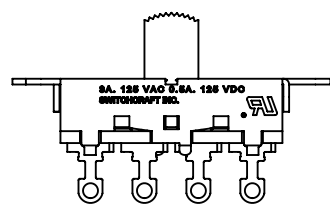
46311LDSRX

SCHMATIC
SINGLE POLE TRIPLE THROW
SHORTING CONTACT



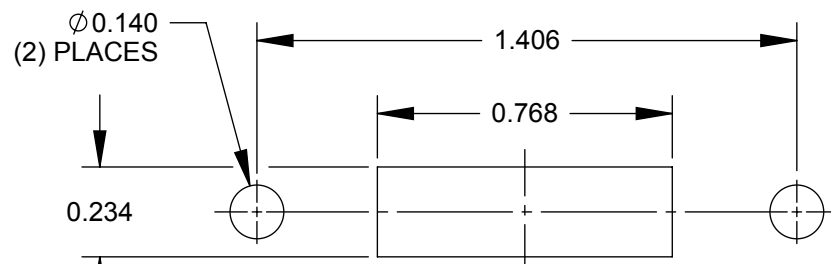
46313LDRX

SCHMATIC
DOUBLE POLE TRIPLE THROW



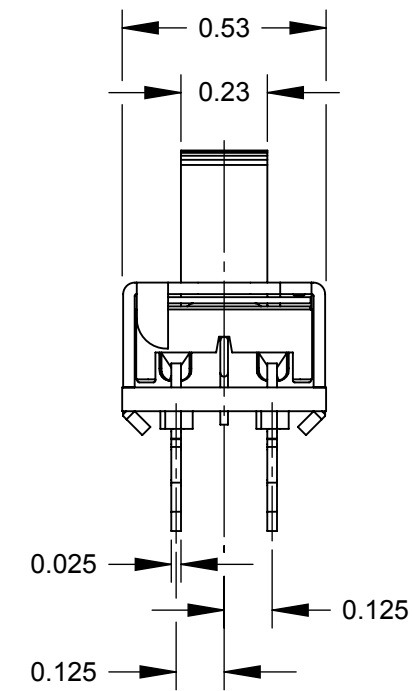
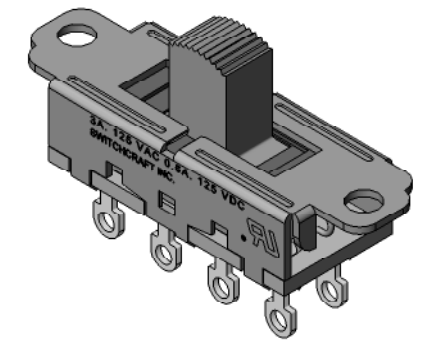
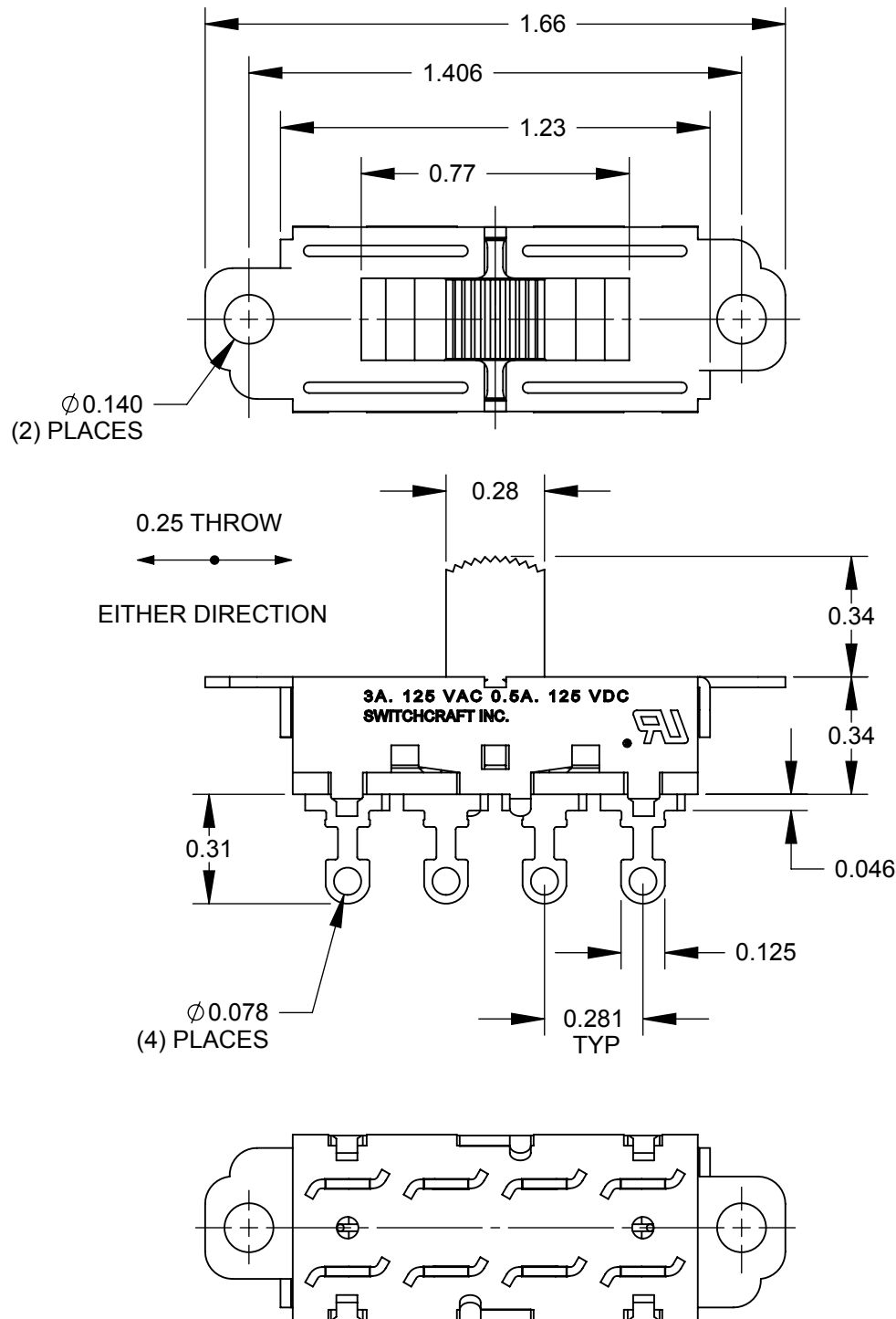
46313LDSRX

SCHMATIC
DOUBLE POLE TRIPLE THROW
SHORTING CONTACT



RECOMMENDED PANEL CUT-OUT

- NOTES:
 1. ALL DIMENSIONS REFERENCE UNLESS OTHERWISE SPECIFIED.
 2. MATERIALS:
 HOUSING - CRS, ZINC PLATED
 BUTTON - THERMOPLASTIC, BLACK
 SHIMS - THERMOPLASTIC, DARK GRAY
 DETENT WIRE - MUSIC WIRE
 TERMINALS & CONTACT SLIDER - COPPER ALLOY, SILVER PLATED
 TERMINAL BOARD - PHENOLIC
 3. SWITCH RATING:
 3 AMPS 125 VAC - 0.5 AMPS 125 VDC
 4. THIS PRODUCT IS RoHS COMPLIANT.



46313LDRX SHOWN

CUSTOMER DRAWING

REV	ECO NUMBER	DATE	BY	APVD
A	26002	3/23/06	RS	TJK
REVISIONS				

UNLESS OTHERWISE SPECIFIED
 1. ALL DIMENSIONS IN INCHES
 - TWO PLACE DECIMALS ±0.02
 - THREE PLACE DECIMALS ±0.005

DO NOT SCALE DRAWING

THIS DRAWING DESCRIBES A DESIGN CONSIDERED PROPRIETARY IN NATURE, DEVELOPED AND MANUFACTURED BY SWITCHCRAFT INC. AND IS RELEASED ON A CONFIDENTIAL BASIS FOR IDENTIFICATION PURPOSES ONLY.										
SIZE	WIDTH	MULT	LBS/M	TEMPER						
FINISH					MATERIAL					
SPEC No.					SPEC No.					
FIRST USED ON					SCALE 2:1					
DATE DRAWN	BY	CHKD	APVD							
9/14/09	RS	RS	TJK							
			9/14/09			3/10/11				
NAME SLIDE SWITCH 3 POSITION LOCKING, RoHS								PART No. 46300LDRX SERIES		REV A