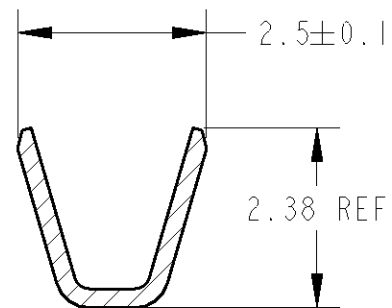
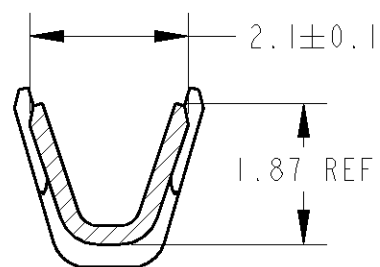


THIS DRAWING IS UNPUBLISHED. RELEASED FOR PUBLICATION  
 © COPYRIGHT BY TYCO ELECTRONICS CORPORATION. ALL RIGHTS RESERVED.

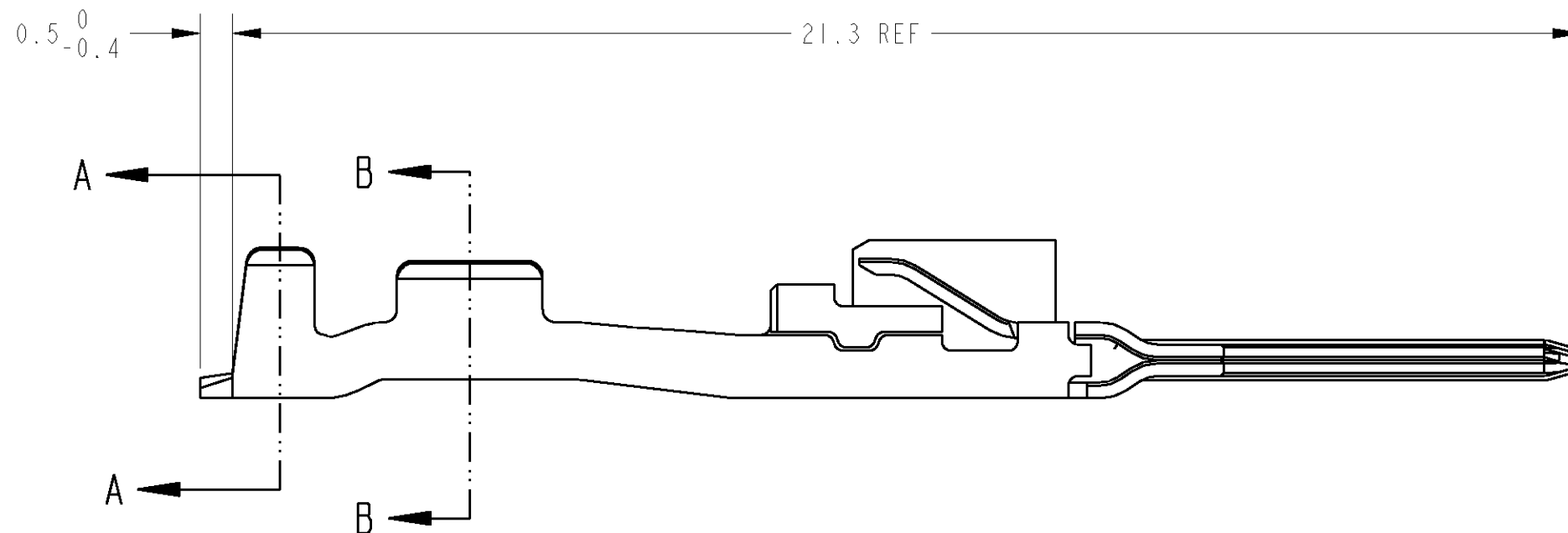
LOC	DIST	REVISIONS						
		P	LTR	DESCRIPTION	ECN	DATE	DWN	APVD
J	-	0		作成	FJ00-1026-00	24JUL00	T.K	N.S
		01		REVISED	FJA0-0820-04	15NOV04	AY	HY



断面 A-A



断面 B-B



1. MUST MEET ALL SPECIFICATIONS OF STRIP TERMINAL EXCEPT THOSE SHOWN

1. 本図記載以外については、連鎖状端子の規格を満足すること

SELECTIVE GOLD	BRASS H04 , MAKE FROM 1376109-2	1376607-2
PRE-TIN	BRASS H04 , MAKE FROM 1376109-1	1376607-1
FINISH	MATERIAL, STRIP TERMINAL P/N	PART NO

THIS DRAWING IS A CONTROLLED DOCUMENT FOR TYCO ELECTRONICS CORPORATION IT IS SUBJECT TO CHANGE AND THE CONTROLLING ENGINEERING ORGANIZATION SHOULD BE CONTACTED FOR THE LATEST REVISION.

DIMENSIONS: 単位: 毫 mm	TOLERANCES UNLESS OTHERWISE SPECIFIED: 0-PLC ± 1-PLC ±0.5 2-PLC ±0.13 3-PLC ±0.013 4-PLC ±0.0001 ANGLES ±3'00"
MATERIAL 材料	FINISH 仕上

DWN T. KOHNO 15-Nov-04	Tyco Electronics AMP K.K. Kawasaki, Japan	
CHK N. SAI 15-Nov-04	NAME 025 TAB CONTACT LOOSE PIECE TYPE	
APVD K. SHIMIZU 15-Nov-04	SIZE A3	CAGE CODE 00779
PRODUCT SPEC 製品規格	DRAWING NO 1376607	RESTRICTED TO
APPLICATION SPEC 取付適用規格	WEIGHT 0.2g	SCALE 10:1
CUSTOMER DRAWING	SHEET 1	OF 1
	REV 01	