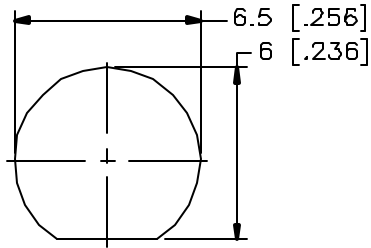
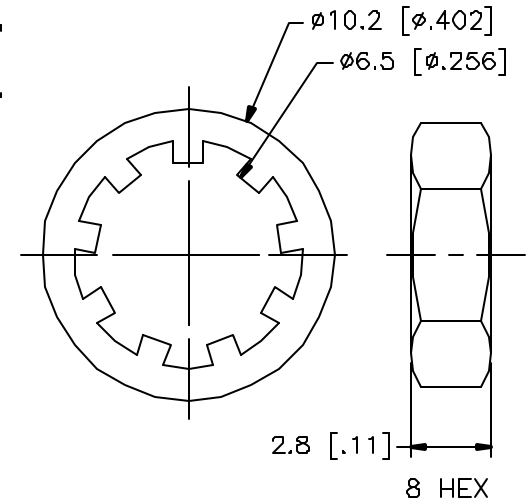
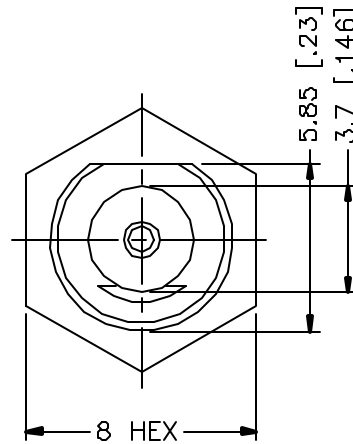
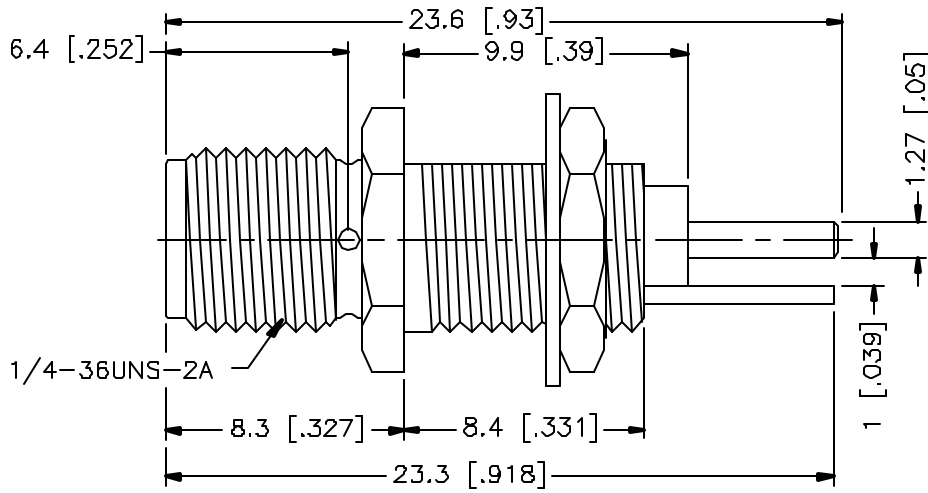


REV.	DATE	DESCRIPTION
A	06/25/01	ADD HEX NUT AND WASHER




RECOMMENDED MOUNTING HOLE



NOTE:

1. MAX. PANEL THICKNESS = 4.5mm

DESCRIPTION	MATERIAL	FINISH	UNLESS OTHERWISE SPECIFIED DIMENSIONS ARE IN MILLIMETERS	APPROVALS	DATE					
1 BODY	BRASS	GOLD	DIMENSIONS IN [ ] ARE IN INCHES FOR CUSTOMER REFERENCE ONLY	DRAWN	G.R.S.					06/25/01
2 CONTACT PIN	BER COPPER	GOLD		UNLESS OTHERWISE SPECIFIED TOLERANCES FOR MILLIMETERS ARE 0.5-6 = ± 0.2 6-30 = ± 0.4 30-120 = ± 0.6 120-315 = ± 1 315-1000 = ± 1.6 1000-2000 = ± 2.4	CHECKED					
3 INSULATOR	TEFLON	NATURAL	ISSUED							
4 LOCK WASHER	BRASS	GOLD								
5 HEX NUT	BRASS	GOLD								
6										
7										
8			DO NOT SCALE DRAWING							