

**LM158, LM258, LM358
LM258A, LM358A, LM2904
DUAL OPERATIONAL AMPLIFIERS**
D2231, JUNE 1976—REVISED AUGUST 1988

- **Wide Range of Supply Voltages:**
Single Supply . . . 3 V to 30 V
(LM2904 . . . 3 V to 26 V),
or Dual Supplies
- **Low Supply Current Drain Independent of Supply Voltage . . . 0.7 mA Typ**
- **Common-Mode Input Voltage Range**
Includes Ground Allowing Direct Sensing near Ground
- **Low Input Bias and Offset Parameters:**
Input Offset Voltage . . . 3 mV Typ
A Versions . . . 2 mV Typ
Input Offset Current . . . 2 nA Typ
Input Bias Current . . . 20 nA Typ
A Versions . . . 15 nA Typ
- **Differential Input Voltage Range Equal to Maximum-Rated Supply Voltage . . . ±32 V**
(±26 V for LM2904)
- **Open-Loop Differential Voltage Amplification . . . 100 V/mV Typ**
- **Internal Frequency Compensation**

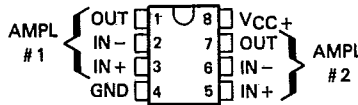
description

These devices consist of two independent, high-gain, frequency-compensated operational amplifiers that were designed specifically to operate from a single supply over a wide range of voltages. Operation from split supplies is also possible so long as the difference between the two supplies is 3 V to 30 V (3 V to 26 V for the LM2904), and the VCC pin is at least 1.5 V more positive than the input common-mode voltage. The low supply current drain is independent of the magnitude of the supply voltage.

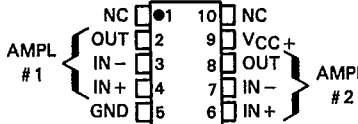
Applications include transducer amplifiers, d-c amplification blocks, and all the conventional operational amplifier circuits that now can be more easily implemented in single-supply-voltage systems. For example, these devices can be operated directly off of the standard 5-V supply that is used in digital systems and will easily provide the required interface electronics without requiring additional ±15-V supplies.

The LM158 is characterized for operation over the full military temperature range of -55°C to 125°C. The LM258 and LM258A are characterized for operation from -25°C to 85°C, the LM358 and LM358A from 0°C to 70°C, and the LM2904 from -40°C to 105°C.

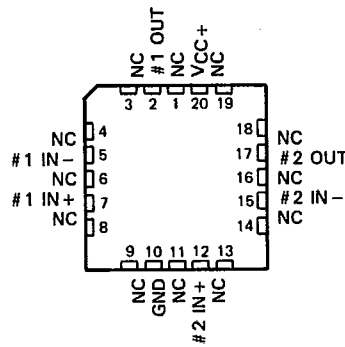
D, JG, OR P PACKAGE (TOP VIEW) *T-79-05-20*



U FLAT PACKAGE (TOP VIEW)

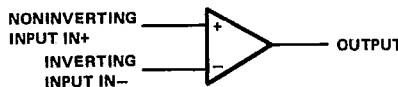


LM 158 FK CHIP CARRIER PACKAGE (TOP VIEW)



NC—No internal connection

schematic (each amplifier)



2
Operational Amplifiers

PRODUCTION DATA documents contain information current as of publication date. Products conform to specifications per the terms of Texas Instruments standard warranty. Production processing does not necessarily include testing of all parameters.



POST OFFICE BOX 655012 • DALLAS, TEXAS 75265

Copyright © 1979, Texas Instruments Incorporated

18E D

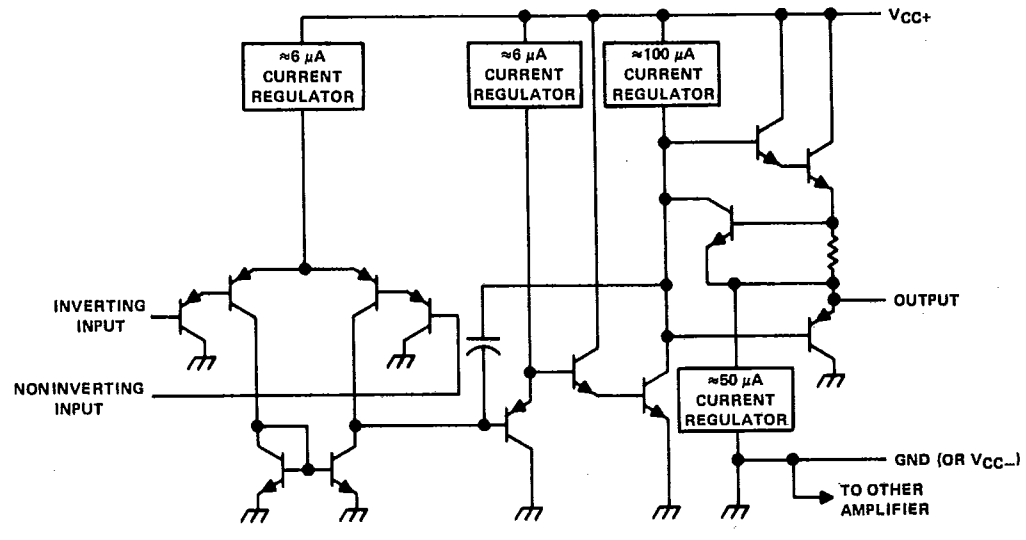
T-79-05-20

AVAILABLE OPTIONS

T _A	V _{IO} MAX AT 25°C	PACKAGE				
		SMALL OUTLINE (D)	CHIP CARRIER (FK)	CERAMIC DIP (JG)	PLASTIC DIP (P)	FLAT PACK (U)
0°C to 70°C	7 mV	LM358D	-	LM358JG	LM358P	-
-25°C to 85°C	3 mV	LM358AD	-	LM358AJG	LM358AP	-
-40°C to 105°C	5 mV	LM258D	-	LM258JG	LM258P	-
-55°C to 125°C	3 mV	LM258AD	-	LM258AJG	LM258AP	-
-55°C to 125°C	7 mV	LM2904D	-	LM2904JG	LM2904P	-
-55°C to 125°C	5 mV	-	LM158FK	LM158JG	-	LM158U

The D package is available taped and reeled. Add the suffix R to the device type. (e.g., LM358DR)

schematic (each amplifier)



2 Operational Amplifiers

**LM158, LM258, LM358, LM258A, LM358A, LM2904
DUAL OPERATIONAL AMPLIFIERS**

T-79-05-20

absolute maximum ratings over operating free-air temperature range (unless otherwise noted)

		LM158, LM258, LM258A LM358, LM358A	LM2904	UNIT	
Supply voltage, V_{CC} (see Note 1)		32	26	V	
Differential voltage (see Note 2)		± 32	± 26	V	
Input voltage range (either input)		0.3 to 32	0.3 to 26	V	
Duration of output short-circuit (one amplifier) to ground at (or below) 25°C free-air temperature ($V_{CC} \leq 15$ V) (see Note 3)		unlimited	unlimited		
Continuous total dissipation		See Dissipation Rating Table			
Operating free-air temperature range	LM158	-55 to 125		°C	
	LM258, LM258A	-25 to 85			
	LM358, LM358A	0 to 70			
	LM2904		-40 to 105		
Storage temperature range		-65 to 150	-65 to 150	°C	
Case temperature for 60 seconds		FK package	260	°C	
Lead temperature 1,6 mm (1/16 Inch) from case for 60 seconds		JG, or U package	300	300	°C
Lead temperature 1,6 mm (1/16 Inch) from case for 10 seconds		D or P package	260	260	°C

- NOTES: 1. All voltage values, except differential voltages, and V_{CC} specified for measurement of I_{OS} , are with respect to the network ground terminal.
 2. Differential voltages are at the noninverting input terminal with respect to the inverting input terminal.
 3. Short circuits from outputs to V_{CC} can cause excessive heating and eventual destruction.

DISSIPATION RATING TABLE

PACKAGE	$T_A \leq 25^\circ\text{C}$	DERATING FACTOR ABOVE $T_A = 25^\circ\text{C}$	$T_A = 70^\circ\text{C}$	$T_A = 85^\circ\text{C}$	$T_A = 125^\circ\text{C}$
	POWER RATING		POWER RATING	POWER RATING	POWER RATING
D	725 mW	5.8 mW/°C	464 mW	377 mW	—
FK	1375 mW	11.0 mW/°C	880 mW	715 mW	275 mW
JG (LM158)	1060 mW	8.4 mW/°C	672 mW	546 mW	210 mW
JG (all others)	825 mW	6.6 mW/°C	528 mW	429 mW	—
P	1000 mW	8.0 mW/°C	640 mW	520 mW	—
U	675 mW	5.4 mW/°C	432 mW	351 mW	135 mW

2
Operational Amplifiers

**LM158, LM258, LM358, LM2904
DUAL OPERATIONAL AMPLIFIERS**

T-79-05-20

2 Operational Amplifiers

electrical characteristics at specified free-air temperature, VCC = 5 V (unless otherwise noted)

PARAMETER	TEST CONDITIONS†	LM158, LM258			LM358			LM2904			UNIT
		MIN	TYP	MAX	MIN	TYP	MAX	MIN	TYP	MAX	
V _{IO} Input offset voltage	VCC = 5 V to MAX, V _{IC} = V _{ICR} min, V _O = 1.4 V	25°C	3	5	3	7	3	7	3	7	mV
		Full range		7		9		10		10	
α _{V_{IO}} Average temperature coefficient of input offset voltage	Full range		7		7		7		7		μV/°C
		25°C	2	30	2	50	2	50	2	50	
I _{IO} Input offset current	V _O = 1.4 V	Full range		100		150		200		200	nA
		25°C	10		10		10		10		
e _{II_O} Average temperature coefficient of input offset current	Full range		-20	-150		-20	-250		-20	-250	pA/°C
		25°C		-300		-500		-500		-500	
I _{IB} Input bias current	V _O = 1.4 V	Full range	0 to VCC-1.5		0 to VCC-1.5		0 to VCC-1.5		0 to VCC-1.5		nA
		25°C									
V _{ICR} Common-mode input voltage range	VCC = 5 V to MAX	Full range	0 to VCC-2		0 to VCC-2		0 to VCC-2		0 to VCC-2		V
		25°C									
V _{OH} High-level output voltage	VCC = MAX, R _L = 2 kΩ	Full range	26		26		26		22		V
		25°C									
V _{OL} Low-level output voltage	VCC = MAX, R _L = 10 kΩ	Full range	27	28	27	28	23	24	5	100	mV
		Full range	5	20	5	20	5	20	5	100	

Parameter	Conditions	Temperature			Units
		25°C	50	100	
AVD Large-signal differential voltage amplification	VCC = 15 V, VO = 1 V to 11 V, RL = ≥ 2 kΩ	25°C	25	100	100
		Full range	15		15
CMRR Common-mode rejection ratio	VCC = 5 V to MAX, VIC = VICR min	25°C	65	80	dB
KSVR Supply voltage rejection ratio (ΔVCC/ΔVIO)	VCC = 5 V to MAX	25°C	65	100	dB
V _{o1} /V _{o2} Crosstalk attenuation	f = 1 kHz to 20 kHz	25°C	120	120	dB
		25°C	-20	-30	-20 -30
IO Output current	VCC = 15 V, VID = 1 V, VO = 0	Full range	-10	-10	-10
		25°C	10	20	10 20
		Full range	5	5	5
		25°C	12	30	12 30
IOS Short-circuit output current	VCC at 5 V, GND at -5 V, VO = 0	25°C	±40	±60	±40 ±60
		Full range	0.7	1.2	0.7 1.2
ICC Supply current (two amplifiers)	VCC = MAX, VO = 0.5 VCC, No load	Full range	1	2	1 2
		Full range	1	2	1 2

† All characteristics are measured under open-loop conditions with zero common-mode input voltage unless otherwise specified. "MAX" VCC for testing purposes is 26 V for LM2904, 30 V for the others. Full range is -55°C to 125°C for LM158, -25°C to 85°C for LM258, 0°C to 70°C for LM358, and -40°C to 105°C for LM2904.

2
Operational Amplifiers



**LM258A, LM358A
DUAL OPERATIONAL AMPLIFIERS**

T-79-05-20

2 Operational Amplifiers

electrical characteristics at specified free-air temperature, VCC = 5 V (unless otherwise noted)

PARAMETER	TEST CONDITIONS ¹	LM258A			LM358A			UNIT
		MIN	TYP	MAX	MIN	TYP	MAX	
V _{IO}	V _{CC} = 5 V to 30 V V _{IC} = V _{ICR} min, V _O = 1.4 V	2	3	3	2	3	mV	
αV _{IO}	Full range		4			5		
I _{IO}	Average temperature coefficient of input offset voltage							
	Full range	7	15		7	20	μV/°C	
	V _O = 1.4 V	2	15	30	2	30	nA	
	Full range					75		
αI _{IO}	Average temperature coefficient of input offset current							
	Full range	10	200		10	300	pA/°C	
I _{IB}	Input bias current	-15	-80	-100	-15	-100	nA	
	V _O = 1.4 V					-200		
	Full range				0 to			
	25°C				V _{CC} -1.5		V	
V _{ICR}	Common-mode input voltage range				0 to			
	V _{CC} 30 V				V _{CC} -2			
	Full range				V _{CC} -1.5			
	R _L ≥ 2 kΩ							
	V _{CC} = 30 V, R _L = 2 kΩ				26		V	
V _{OH}	High-level output voltage							
	V _{CC} = 30 V, R _L ≥ 10 kΩ	27	28		27	28		
	Full range							
V _{OL}	Low-level output voltage							
	Full range	5	20		5	20	mV	

T-79-05-20

		25°C	50	100	25	100	V/mV
A/D	Large-signal differential voltage amplification	25°C	50	100	25	100	
		Full range	25		15		
CMRR	Common-mode rejection ratio	25°C	70	80	65	80	dB
		Full range	65	100	65	100	dB
kSVR	Supply voltage rejection ratio ($\Delta V_{CC}/\Delta V_{IC}$)	25°C	65	100	65	100	dB
		Full range	120		120		dB
V ₀₁ /V ₀₂	Crosstalk attenuation	25°C	20	30	60	30	60
		Full range	10		10		mA
I _O	Output current	25°C	10	20	10	20	mA
		Full range	5		5		mA
I _{OS}	Short-circuit output current	25°C	12	30	12	30	μA
		Full range	±40	±60	±40	±60	mA
I _{CC}	Supply current (two amplifiers)	25°C	0.7	1.2	0.7	1.2	mA
		Full range	1	2	1	2	mA

† All characteristics are measured under open-loop conditions with zero common-mode input voltage unless otherwise specified. Full range is -25°C to 85°C for LM258A and 0°C to 70°C to LM358A.

Operational Amplifiers **2**