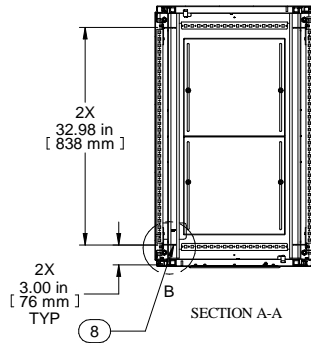
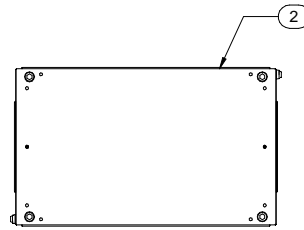


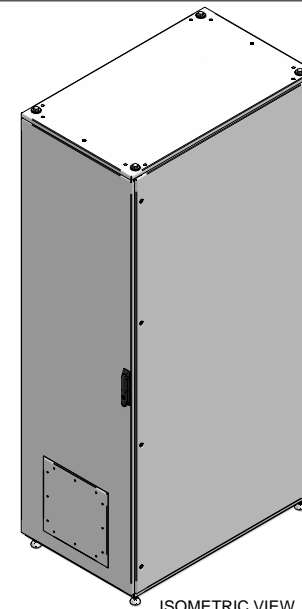
DETAIL B



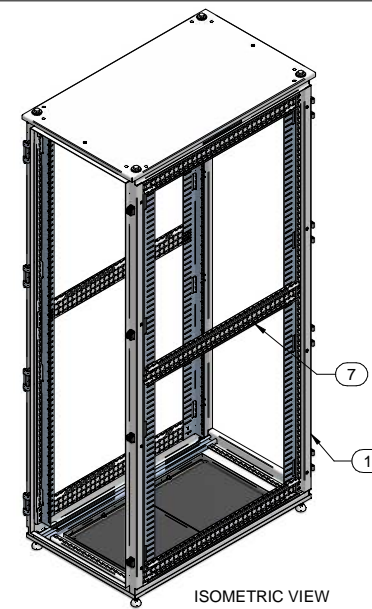
SECTION A-A



TOP VIEW

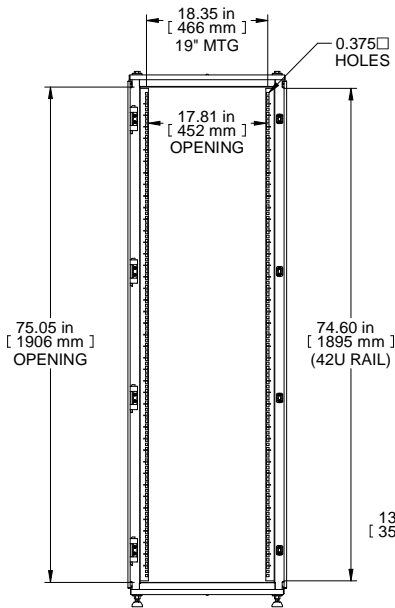


ISOMETRIC VIEW

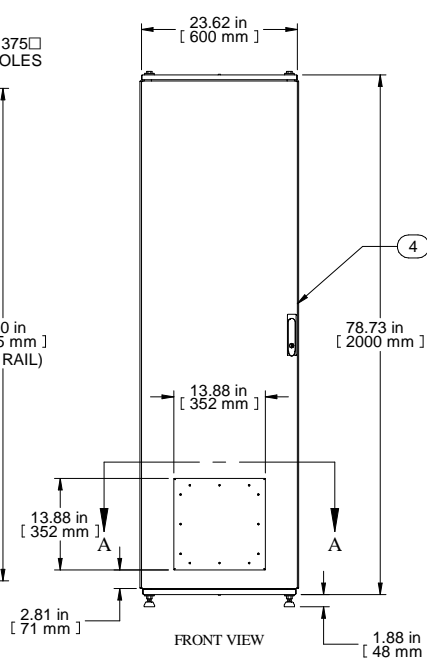


ISOMETRIC VIEW

DOORS AND SIDE PANELS REMOVED

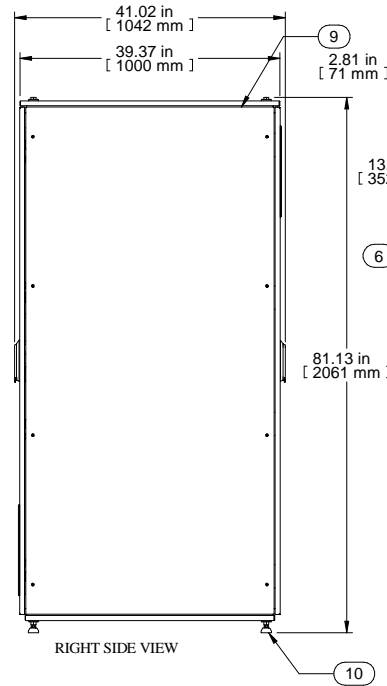


FRONT VIEW  
DOORS REMOVED



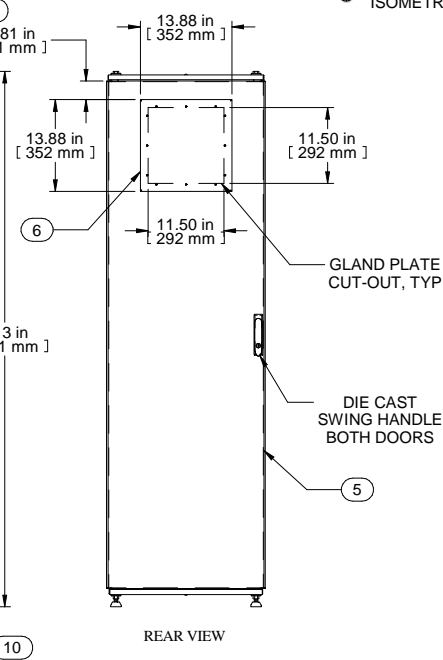
FRONT VIEW

1.88 in [48 mm]



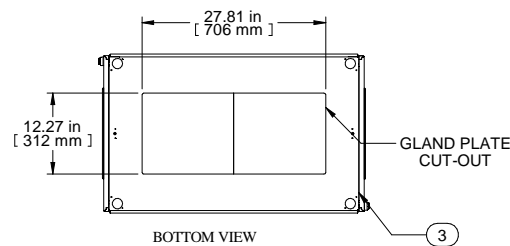
RIGHT SIDE VIEW

REAR VIEW



GLAND PLATE  
CUT-OUT, TYP

DIE CAST  
SWING HANDLE  
BOTH DOORS



BOTTOM VIEW

Item Number	Title	Quantity
1	HME - FRAME WELDMENT 2000 X 600 X 1000	1
2	HME TOP PANEL ASSEMBLY	1
3	HME BOTTOM PANEL ASSEMBLY - 600MM X 1000MM	1
4	HDME - SOLID DOOR ASS'Y W/CUT-OUT	1
5	HDME - SOLID DOOR ASS'Y W/CUT-OUT	1
6	GLAND PLATE 13.88 x 13.88	2
7	DEPTH GRID STRAPS (PAIR)	3
8	19" PANEL RAILS 42U, SQ. HOLE (PAIR)	2
9	HME-SIDE PANEL (PAIR) 2000 X 1000	1
10	HME - LEVELLING FEET (SET)	1

**PART NUMBERS**

HDME20610	PAINTED BLACK TEXTURED
-----------	------------------------

**NOTES**

See Hammond Website for Additional Accessories

**Français**

Pour tous les détails sur nos produits, svp veuillez consulter notre site [www.hammondmfg.com](http://www.hammondmfg.com).  
Data subject to change without notice. Isometric drawing not to scale.  
Les données sont sujettes à changement sans préavis.

**HAMMOND MANUFACTURING**  
www.hammondmfg.com  
PART NO. **HDME20610**