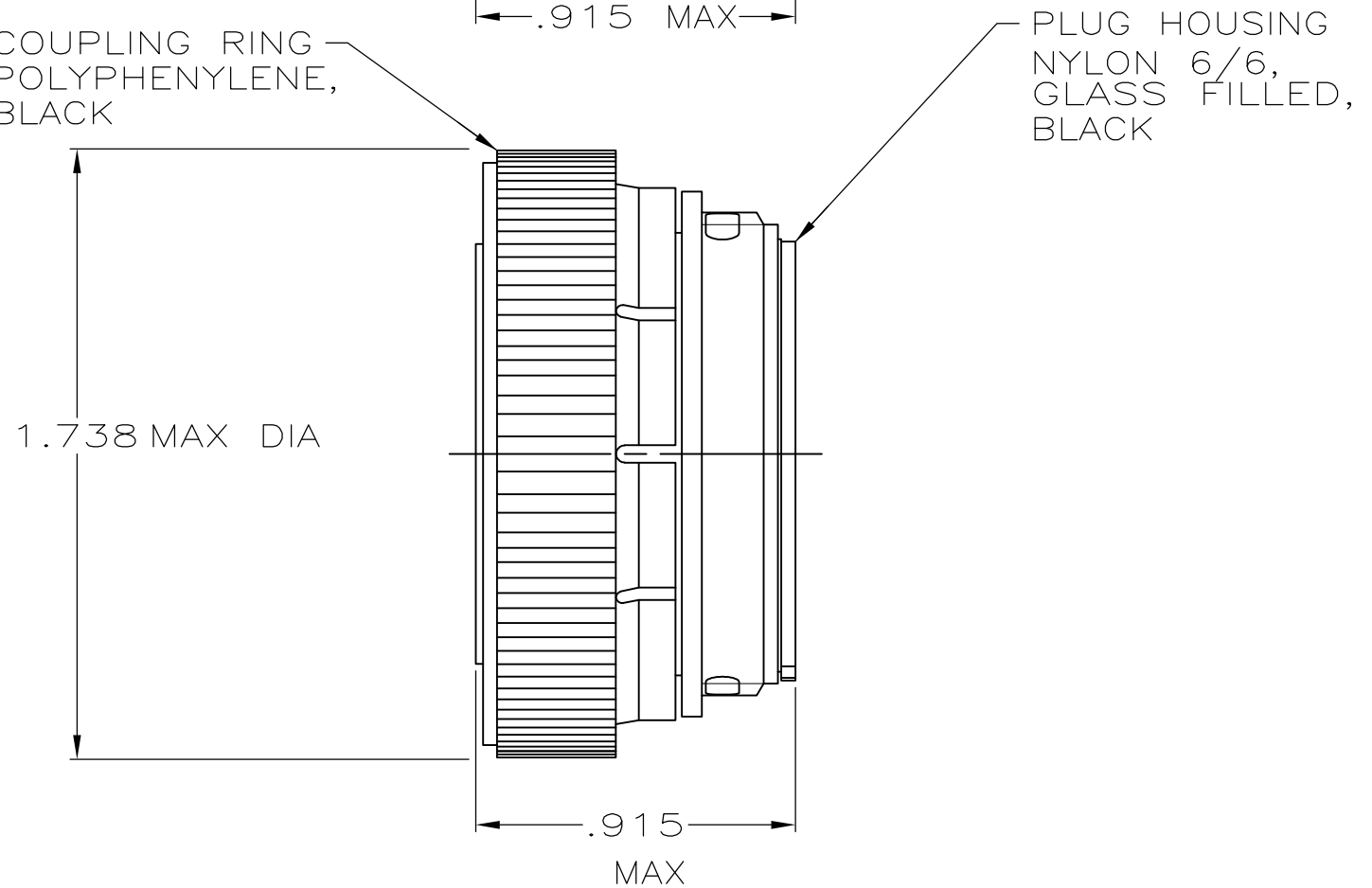
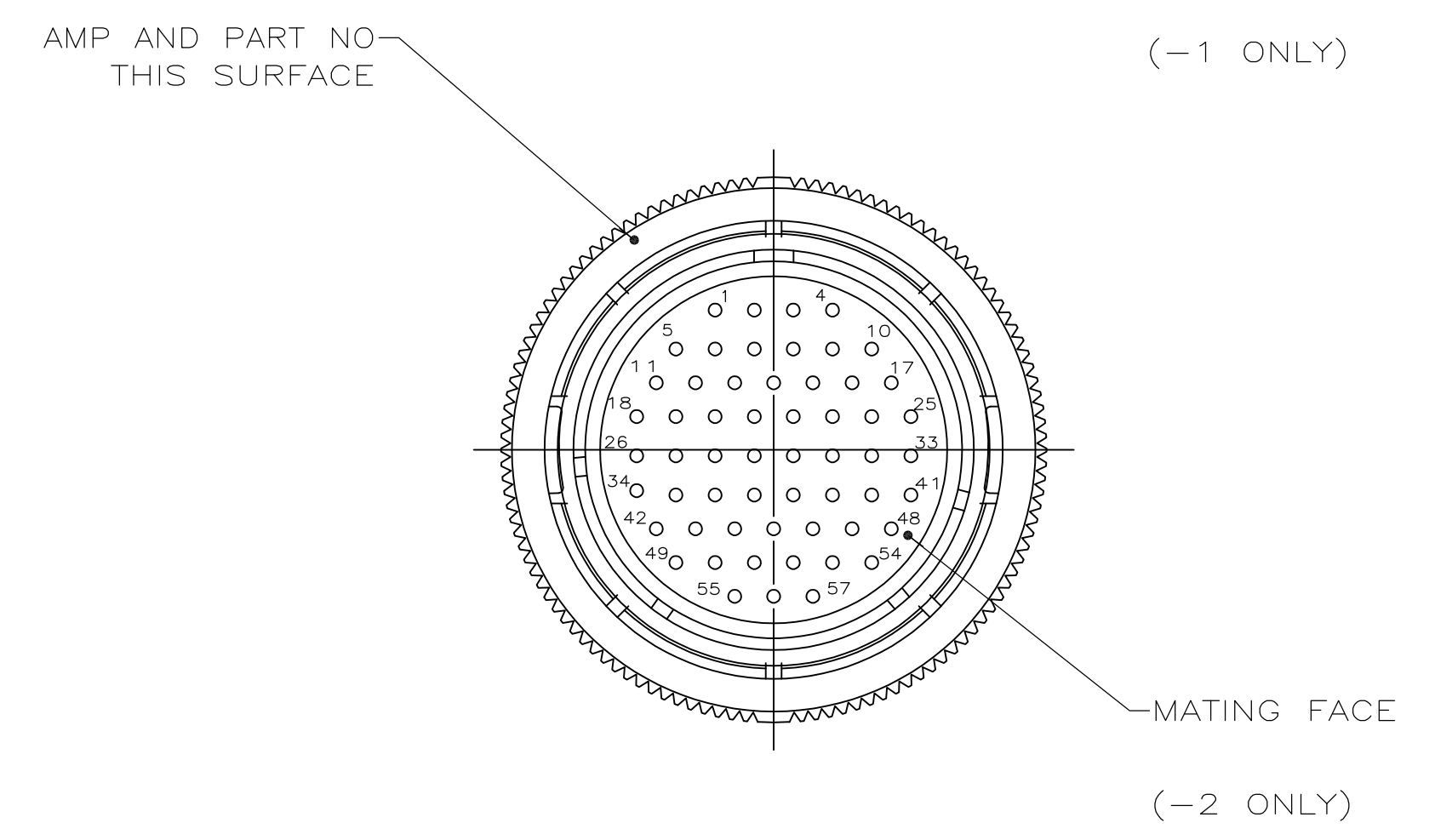
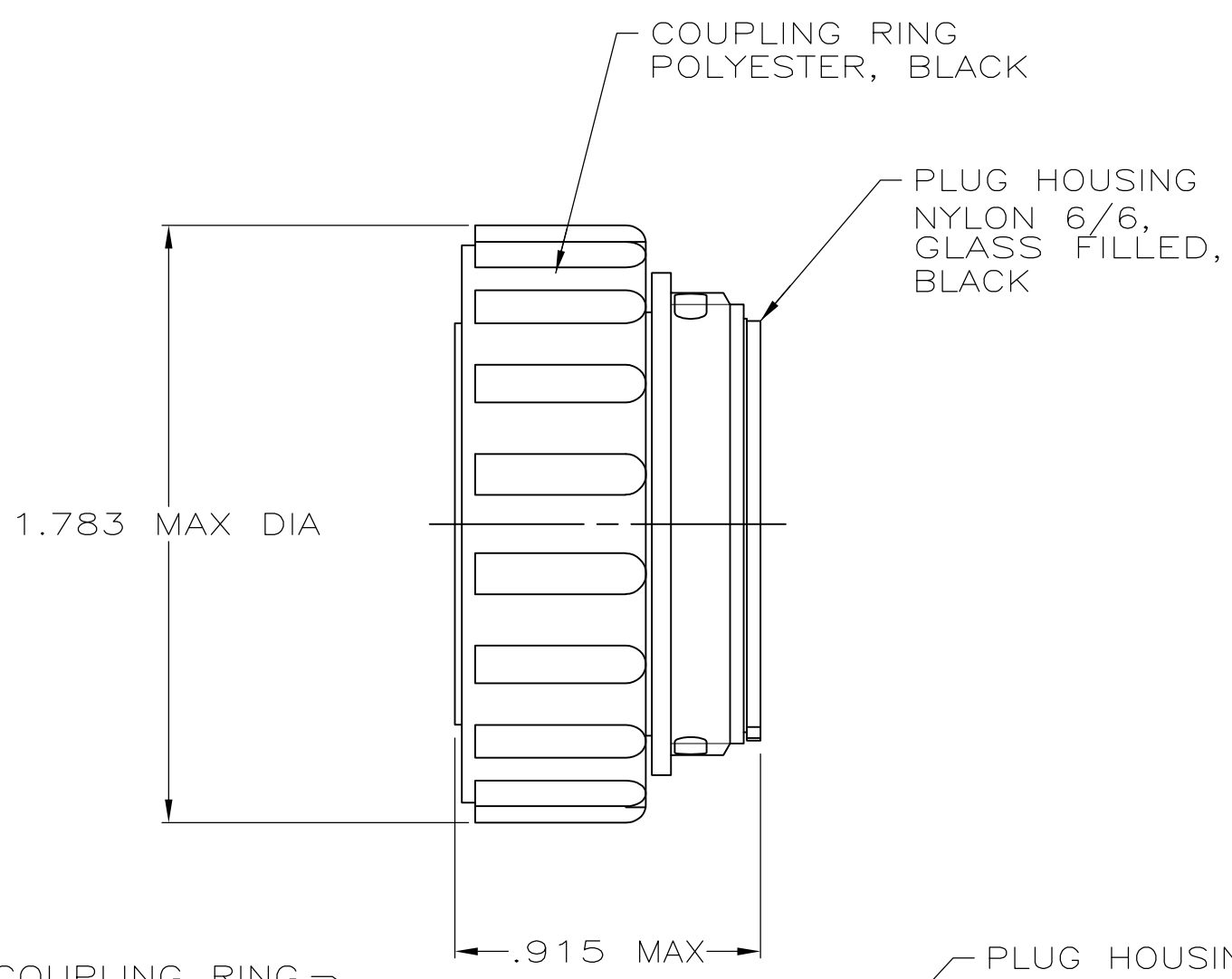
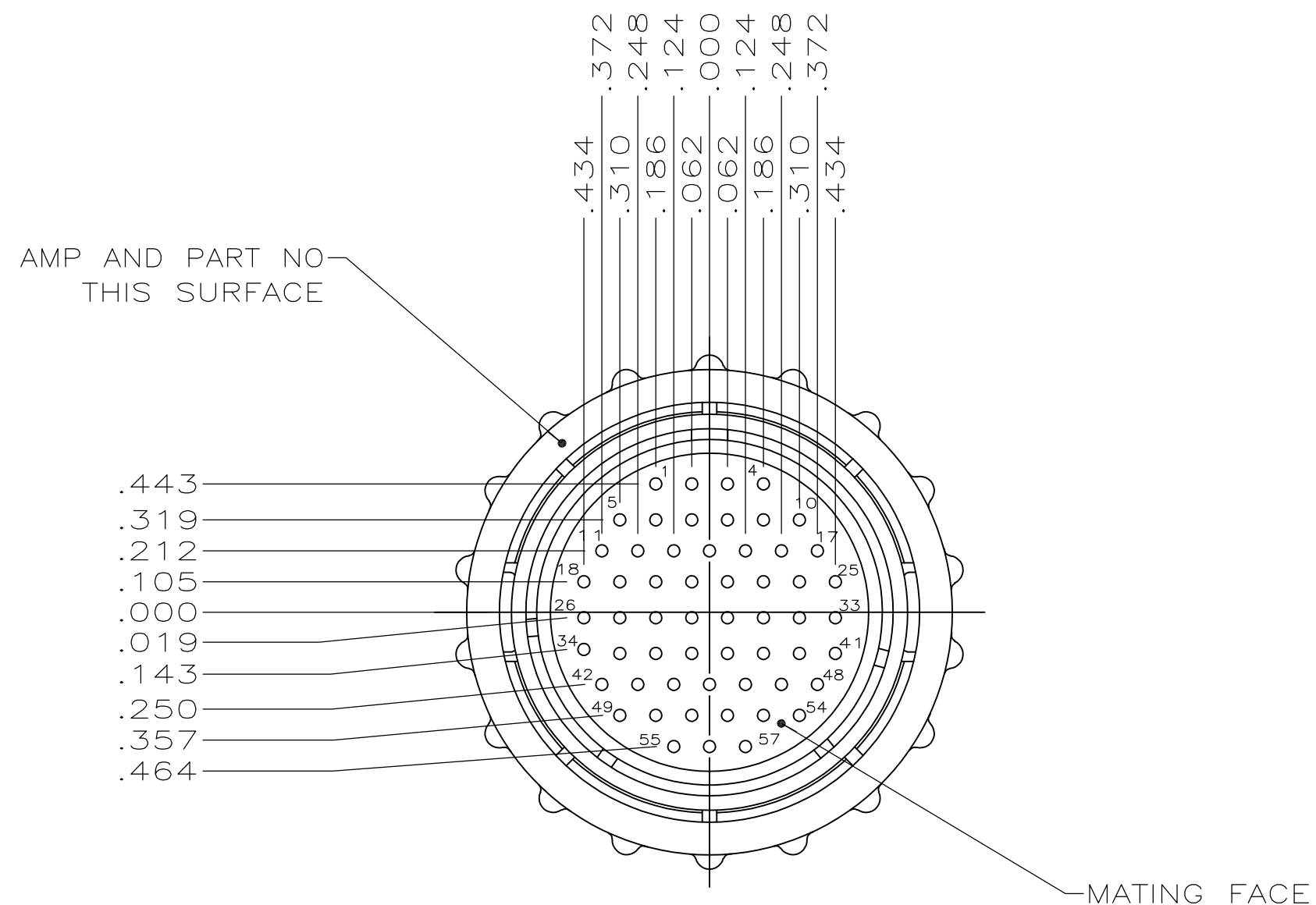


THIS DRAWING IS UNPUBLISHED. RELEASED FOR PUBLICATION  
 © COPYRIGHT - By - ALL RIGHTS RESERVED.

LOC		DIST		REVISIONS					
FT		4		P	LTR	DESCRIPTION	DATE	DWN	APVD
				G2		REVISED PER ECO-11-004917	11MAR11	RK	HMR



- CONTACT CAVITIES IDENTIFIED BY CHARACTERS ON FRONT AND REAR FACES OF CONNECTOR.
- WILL ACCEPT (57) SIZE 20 PIN CONTACTS.

3 OBSOLETE PARTS: OBSOLETE CIS STREAMLINING PER D.RENAUD/D.SINISI

3 OBSOLETE	206437-2
	206437-1
PART NUMBER	

THIS DRAWING IS A CONTROLLED DOCUMENT.		DWN A.STAUB_BG 4/2/91	TE Connectivity				
DIMENSIONS: INCHES		CHK W.G.LENKER 7-23-92					
TOLERANCES UNLESS OTHERWISE SPECIFIED:		APVD K.BEAVER 7-23-92	NAME PLUG ASSEMBLY, REV SEX, SERIES 2, 23-57, CPC				
0 PLC ± - 1 PLC ± - 2 PLC ± - 3 PLC ± .005 4 PLC ± - ANGLES ± - FINISH -		PRODUCT SPEC 108-10024	SIZE A2	CAGE CODE 00779	DRAWING NO G-206437	RESTRICTED TO	
MATERIAL SEE CALLOUT		WEIGHT -	CUSTOMER DRAWING		SCALE 2:1	SHEET 1 OF 1	REV G2