

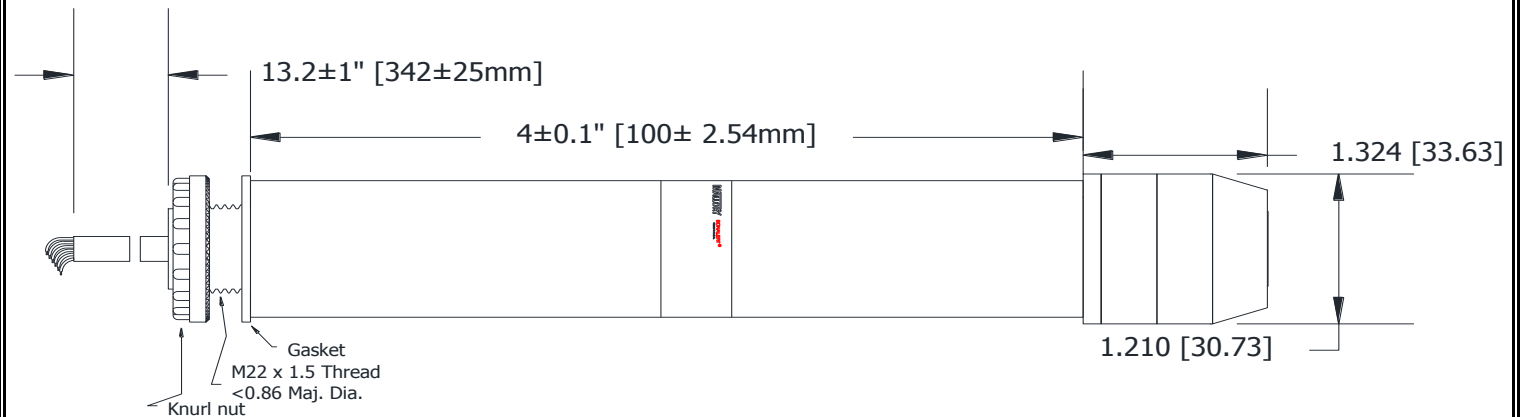


Sales Outline Drawing

Specifications:

| | | | |
|-------------------------|--|----------|----------|
| Sound Level Category | Medium | | |
| Mode of Operation | Fast Pulse @ 10 PPS | | |
| Voltage Rating | 20 to 28 VAC/DC | | |
| Frequency | 3900 ± 500 Hz | | |
| Loudness @ 1M | 70 to 75 dB(A) Typ. | | |
| Sound Current Draw | 40mA MAX | | |
| Stack Level | BOTTOM | MIDDLE | TOP |
| LED Color | GREEN | YELLOW | RED |
| LED Current Draw | 25mA max | 60mA MAX | 60mA MAX |
| Total Max Current Draw | 185mA MAX | | |
| Housing Material | 6/6 Nylon, Color: Black | | |
| Top Cap / Lens Material | 6/6 Nylon, Color: Opaque White | | |
| Storage Temperature | -40° to +70° C | | |
| Operating Temperature | -30° to +60° C | | |
| Panel Mounting | Recommended hole size is 22.5 mm. | | |
| Knurled Nut | The max recommended torque is 10 in-lbs. | | |
| Cable | Gray, UL Style 21894, 300V, 105°C, 24AWG, Pb-Free Tinned Leads | | |
| Weight (Typical) | 112 grams | | |
| NEMA 3R,4X, & 12 | Approved with use of included gasket. | | |
| Options | Please contact factory. | | |

Dimensions: Inches (mm) **cUL Recognized** **ROHS Compliant**



Connections:

- SOUND BLACK wire and ORANGE wire to Power
- BOTTOM BROWN wire and GREEN wire to Power
- MIDDLE BROWN wire and YELLOW wire to Power
- TOP BROWN wire and RED wire to Power