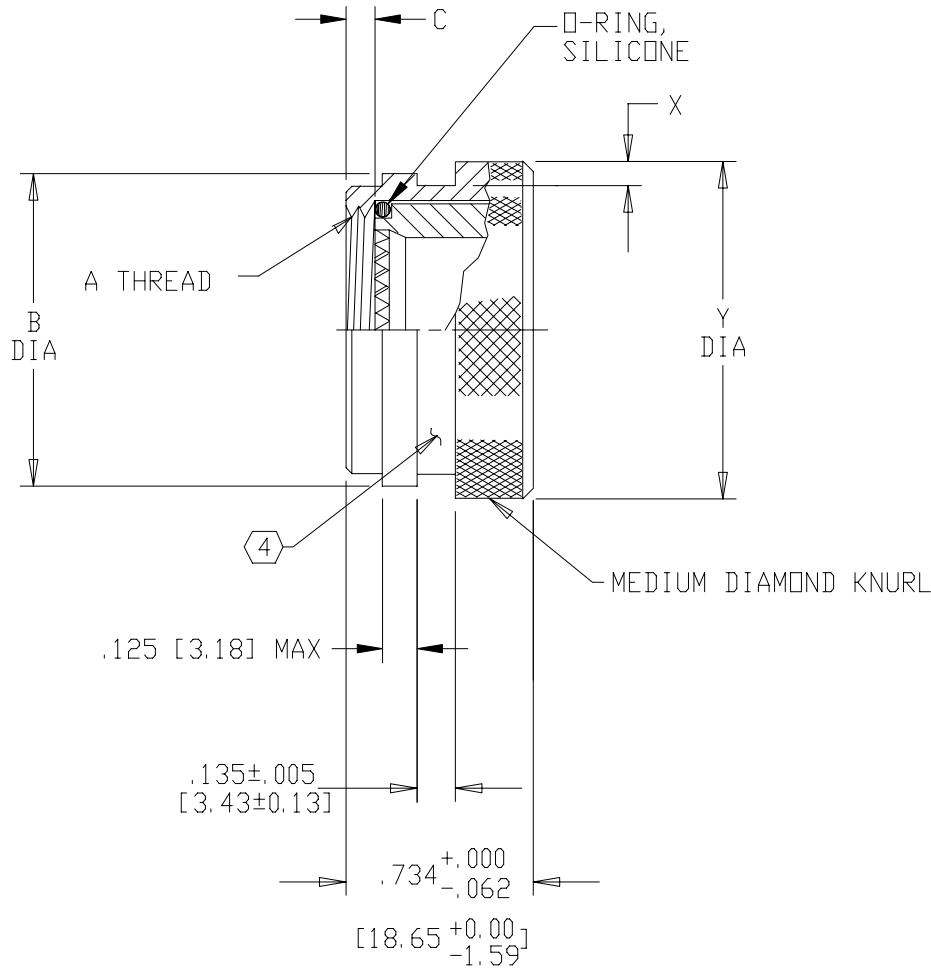


REVISIONS			
LTR	DESCRIPTION	DATE	APPROVED
C	REVISED PER ECN AD93032		

If this document is printed it becomes uncontrolled.
Check with document control for latest revision.



NOTES:

- THIS PRODUCT IS DESIGNED TO TERMINATE A HEAT SHRINKABLE LIPPED BOOT TO A CONNECTOR.
- FOR ADDITIONAL DIMENSIONS, ORDERING INFORMATION AND MODIFICATIONS, SEE CH00-0250-004.
- ADAPTER TO BE PERMANENTLY MARKED WITH CODE IDENT. NO. AND PART NO. (E.G.: 06090-202M812-19A).
- KNURL INSIDE BOOT GROOVE MAY BE SUPPLIED AT MANUFACTURER'S OPTION.
- ADAPTER MATES TO BENDIX SJT COMMERCIAL SERIES CONNECTOR.

SPECIFICATION CONTROL DRAWING

UNLESS OTHERWISE SPECIFIED DIMENSIONS ARE IN INCHES. METRIC DIMENSIONS ARE IN BRACKETS.

DECIMALS
 .XXX ± — [mm]
 .XX ± — [mm]
 .X ± — [mm]

ANGLES
 .X ± —

DRAWN J. BITTER	DATE 08-09-93
CHECKED	DATE
APPROVED	DATE
APPROVED	DATE
CAD NAME \ACAD12\202M8XX	
THIRD ANGLE PROJECTION	

Raychem		RAYCHEM CORPORATION 300 CONSTITUTION DRIVE MENLO PARK, CALIFORNIA 94025	
TITLE ADAPTER, SOLID CODE 47			
SIZE A	CODE IDENT. NO. 06090	DWG. NO. 202M8XX	REV C
DO NOT SCALE THIS DWG			SHEET 1 OF 2

BASE PART NUMBER	SHELL SIZE ⑤	A THREAD CLASS 2B	B	C	Y	X
			+ .000 - .020 [+0.00] [-0.52] DIA	+031 [±0.80]	+ .000 - .045 [+0.00] [-1.16] DIA	+ .008 - .000 [+0.22] [-0.00]
202M808	08	.438-28 UNEF	.635 [16.13]	.234 [5.94]	.719 [18.26]	.044 [1.11]
202M810	10	.562-24 UNEF	.760 [19.31]	.234 [5.94]	.844 [21.44]	.044 [1.11]
202M812	12	.688-24 UNEF	.885 [22.48]	.234 [5.94]	.969 [24.61]	.044 [1.11]
202M814	14	.812-20 UNEF	1.010 [25.66]	.234 [5.94]	1.094 [27.79]	.069 [1.75]
202M816	16	.938-20 UNEF	1.198 [30.43]	.234 [5.94]	1.281 [32.54]	.069 [1.75]
202M818	18	1.062-18 UNEF	1.322 [33.58]	.234 [5.94]	1.406 [35.71]	.069 [1.75]
202M820	20	1.188-18 UNEF	1.448 [36.78]	.234 [5.94]	1.531 [38.89]	.069 [1.75]
202M822	22	1.312-18 UNEF	1.572 [39.93]	.234 [5.94]	1.656 [42.06]	.069 [1.75]
202M824	24	1.438-18 UNEF	1.698 [43.13]	.234 [5.94]	1.781 [45.24]	.069 [1.75]

SIZE	CODE IDENT. NO.	DWG. NO.	REV
A	06090	202M8XX	C
DO NOT SCALE THIS DWG		CAD NAME\ACAD12\202M81X-2	SHEET 2 OF 2