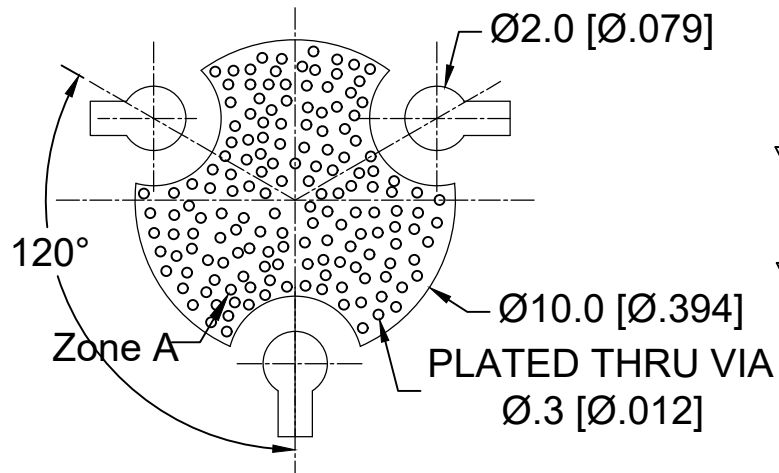
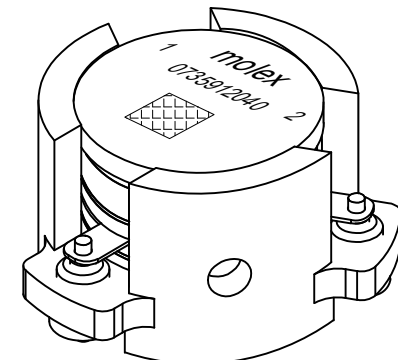
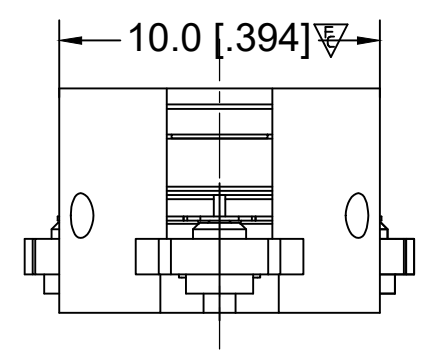
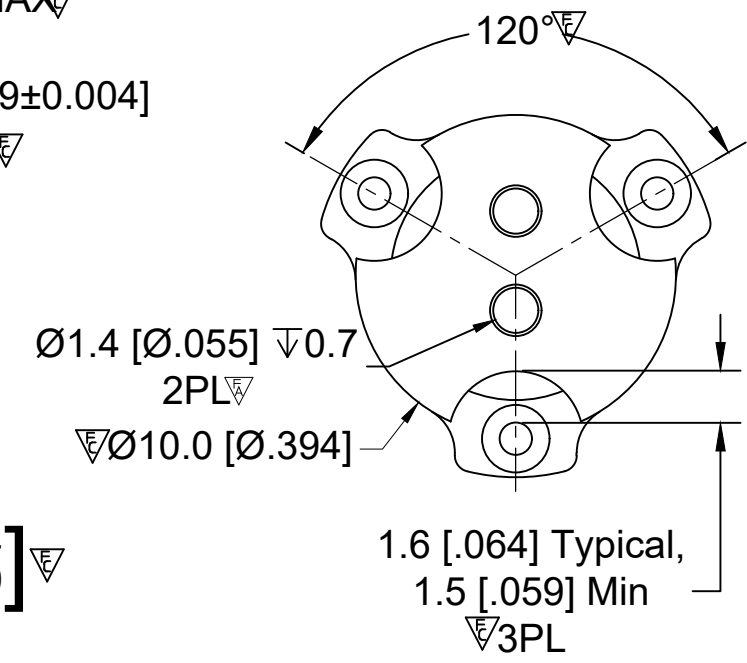
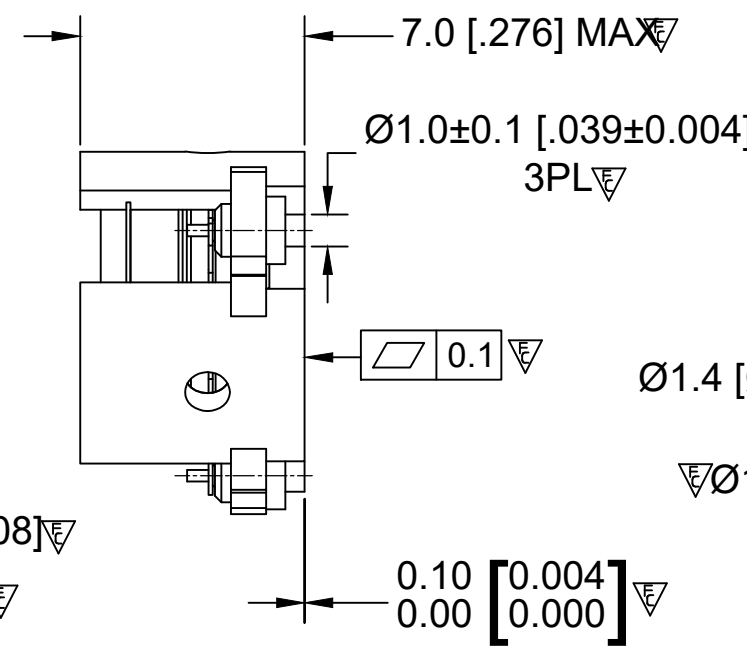
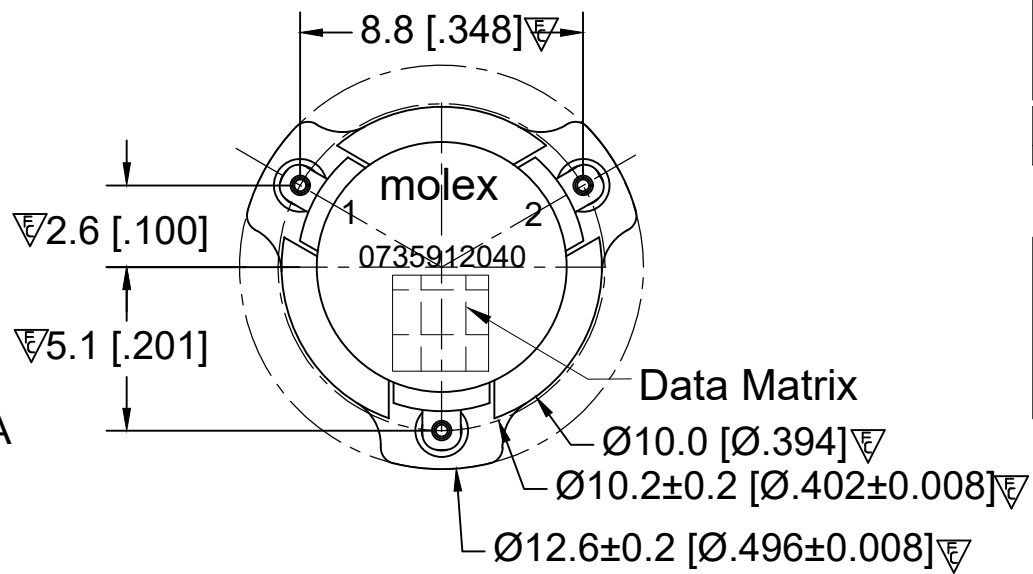


RECOMMENDED LAND PATTERN :

Zone A must be attached to heat sink. Thermal conductivity of intermediate layers between Zone A and heat sink must be better than 0.1 W / [°C x mm].



PCB Material :Rogers RO4350B,0.508mm thickness
trace width 1.07mm wide.



BODY: CARBON STEEL, SILVER PLATED
RIGID PINS: COPPER, SILVER PLATED
NOTES:

- 1.STANDARD INPUT/OUTPUT IMPEDANCE 50 Ohm
- 2.LEAD FREE, NO Nd MATERIAL, BeO FREE
- 3.THE DIMENSION OF DATE MATRIX IS 3X3MM INFORMATION INCLUDING WORK ORDER NUMBER-SERIAL NUMBER-MATERIAL NUMBER
- 4.THIS PART COMPLIES WITH ALL RoHS REQUIREMENTS

ELECTRICAL SPECIFICATIONS :

- Frequency Range : 3400~3800 MHz
- Insertion Loss : 0.30 dB max
- Isolation : 20 dB Min
- Return Loss : 20 dB min
- Power : 20W
- Peak Power : 150W
- FWD IMD3 (2x5W) : -60 dBc Max
- Operating Temperature : -40°C to +105°C
- Direction : CW

ENG PART#:802-340-380-VP040

THIS DRAWING CONTAINS INFORMATION THAT IS PROPRIETARY TO MOLEX ELECTRONIC TECHNOLOGIES, LLC AND SHOULD NOT BE USED WITHOUT WRITTEN PERMISSION									
FUNCTIONAL SYMBOLS	DIMENSION UNITS	SCALE	CURRENT REV DESC:						
	MM	1:1	RELEASE TO PROD						
DIVISIONAL SYMBOLS	GENERAL TOLERANCES (UNLESS SPECIFIED)		EC NO: 696580						
		mm	INCH	DRWN: SREN05		2022/02/21		SMSJ CIRCULATOR/3400~3800 MHZ/CW	
	4 PLACES	±0.005	±----	CHK'D: JLI252		2022/02/23		RESTRICTED PRODUCT CUSTOMER DRAWING	
	3 PLACES	±0.025	±----	APPR: HWANG186		2022/03/01		DOCUMENT NUMBER	
	2 PLACES	±0.13	±----	INITIAL REVISION:				735912040	
	1 PLACE	±0.2	±----	DRWN: SREN05		2021/11/12		PSD 000 A	
	0 PLACES	±0.4	±----	APPR: HWANG186		2022/03/01		MATERIAL NUMBER	
	ANGULAR TOL ± 1.5 °		THIRD ANGLE PROJECTION		DRAWING		SERIES		SHEET NUMBER
	DRAFT WHERE APPLICABLE MUST REMAIN WITHIN DIMENSIONS		A3-SIZE		73591		CUSTOMER		1 OF 1