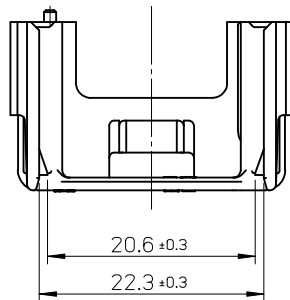
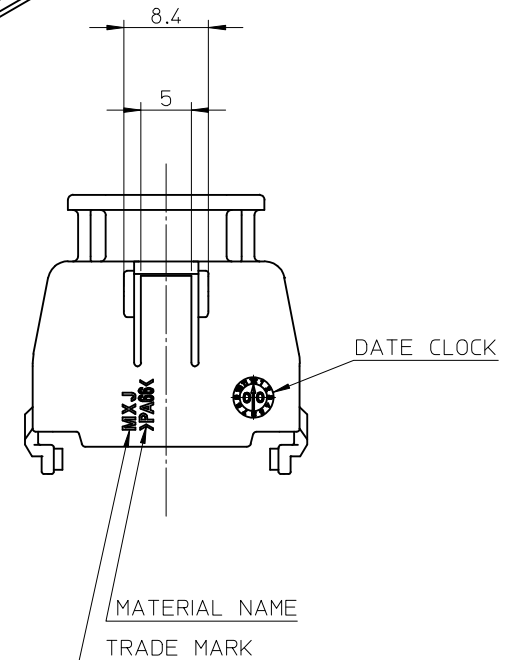
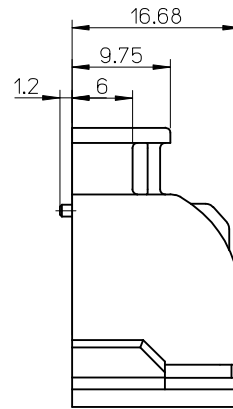
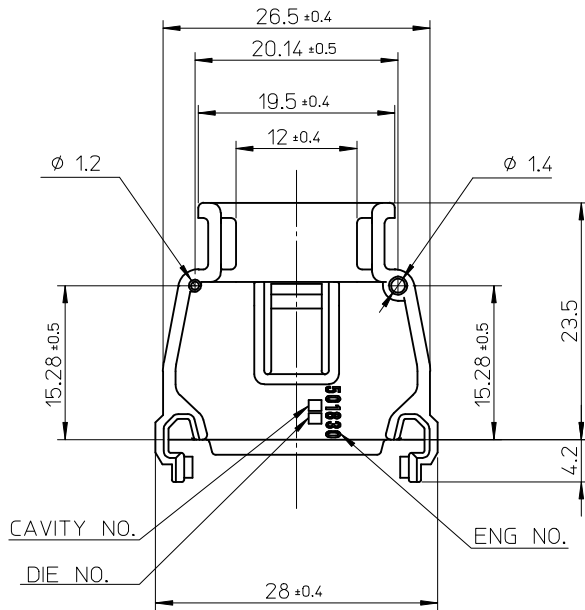


注記
NOTES

- 適合ハウジング: 500993-3201
APPLICABLE HOUSING: 500993-3201
- 材質: PA66. GF 0% 黒色
MATERIAL: PA66. GF 0% BLACK



RELEASED EC NO.: J2006-2786 DRWN: YMASUDA02 2006/03/06 CHKD: TAITO 2006/03/07 APPR: AKANESHIGE 2006/03/08 REV: 0	GENERAL TOLERANCES (UNLESS SPECIFIED)		DIMENSION STYLE MM ONLY	SCALE 2:1	DESIGN UNITS METRIC	THIRD ANGLE PROJECTION	
	10 UNDER	± 0.2	DRAWN BY YMASUDA02	DATE 2006/3/11	TITLE CMC W/W CONN. 32P REC. HOUSING WIRE DRESS COVER		
	10 OVER 30 UNDER	± 0.25	CHECKED BY TAITO	DATE 2006/3/11	MOLEX INCORPORATED		
	30 OVER	± 0.3	APPROVED BY AKANESHIGE	DATE 2006/3/11	MATERIAL NO. 501830-3201	DOCUMENT NO. SD-501830-001	SHEET NO. 1 OF 1
	ANGULAR ± 3 °		THIS DRAWING CONTAINS INFORMATION THAT IS PROPRIETARY TO MOLEX INCORPORATED AND SHOULD NOT BE USED WITHOUT WRITTEN PERMISSION				
DRAFT WHERE APPLICABLE MUST REMAIN WITHIN DIMENSIONS							