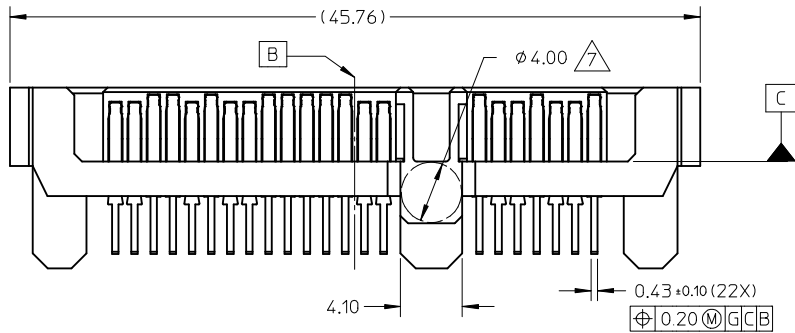
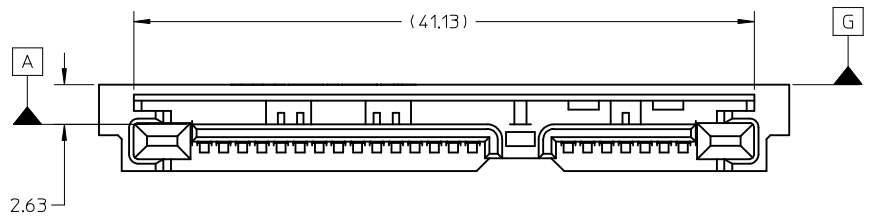
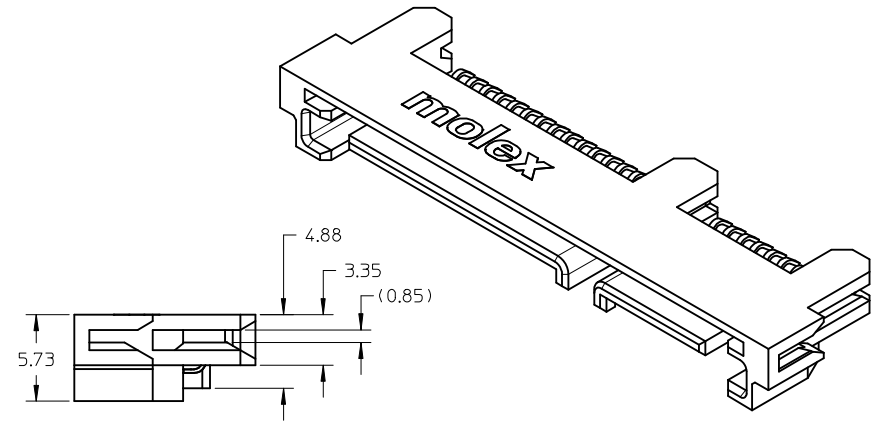
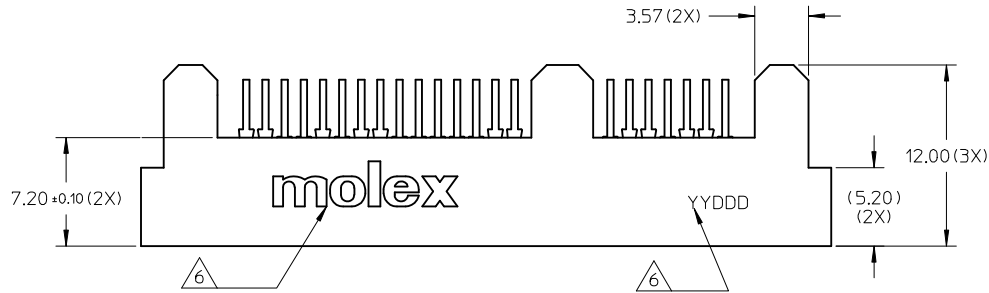


PART NUMBER	PACKAGING
78448-0001	TAPE & REEL
78448-0011	TRAY

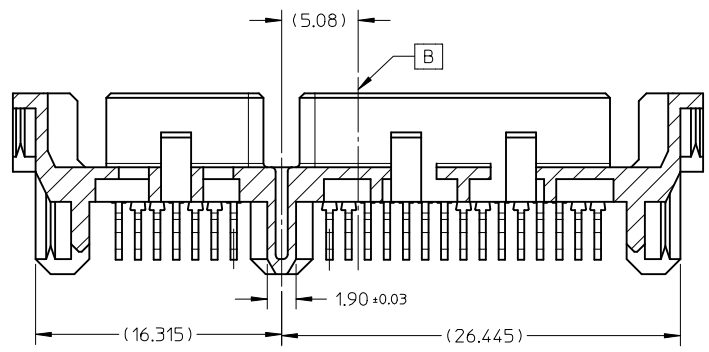


NOTES:

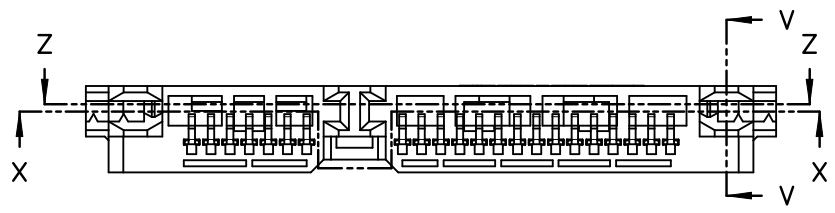
- MATERIALS:
HOUSING: LCP, UL94V-0, COLOR: BLACK
TERMINAL: COPPER ALLOY.
- FINISHES:
CONTACT: 0.76µM MIN. GOLD OVER 1.27µM MIN. NICKEL UNDERPLATE.
SOLDERTAIL: 2.54µM MIN. TIN OVER 1.27µM MIN. NICKEL UNDERPLATE.
- PRODUCT SPECIFICATION: PS-78448-001
- PACKAGING INFORMATION: SEE TABLE.
- MATES WITH: MOLEX SATA AND SAS RECEPTACLES SERIES
- MOLEX LOGO AND DATE CODE LOCATED APPROXIMATELY AS SHOWN.
- VACUUM PICKUP AREA.
- NON-FUNCTIONAL CORING MAY VARY.

SEE SHEET 3 EC NO: S2009-0651 DRAWN: GMENARLY 2009/03/13 CHKD: CGOH 2009/03/13 APPR: BOKOK 2009/03/14	QUALITY SYMBOLS ▽=0 ◻=0	GENERAL TOLERANCES (UNLESS SPECIFIED)		DIMENSION STYLE MM ONLY		SCALE NTS	DESIGN UNITS METRIC	THIRD ANGLE PROJECTION	
			mm	INCH	DRAWN BY GMENARLY	DATE 2008/07/15	TITLE SERIAL ATA PLUG WITH LATCHING STRADDLE MOUNT		
		4 PLACES	± ---	± ---	CHECKED BY YKOH	DATE 2008/08/01	MOLEX INCORPORATED		
		3 PLACES	± ---	± ---	APPROVED BY BOKOK	DATE 2008/08/01	MATERIAL NO.	DOCUMENT NO.	SHEET NO.
			2 PLACES	± 0.20	± ---	SEE TABLE			
			1 PLACE	± ---	± ---	SD-78448-001			
			ANGULAR ± 3 °			1 OF 6			
			DRAFT WHERE APPLICABLE MUST REMAIN WITHIN DIMENSIONS			THIS DRAWING CONTAINS INFORMATION THAT IS PROPRIETARY TO MOLEX INCORPORATED AND SHOULD NOT BE USED WITHOUT WRITTEN PERMISSION			

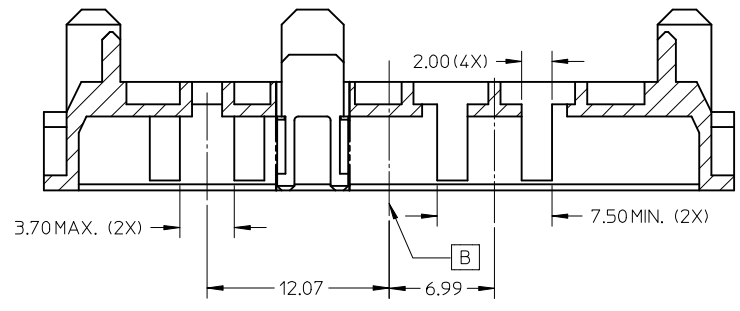
10 9 8 7 6 5 4 3 2 1



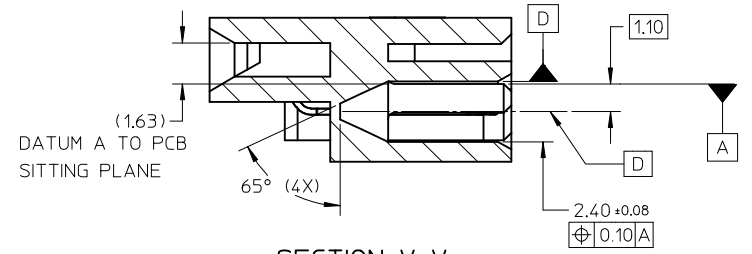
SECTION Z-Z



SECTION X-X

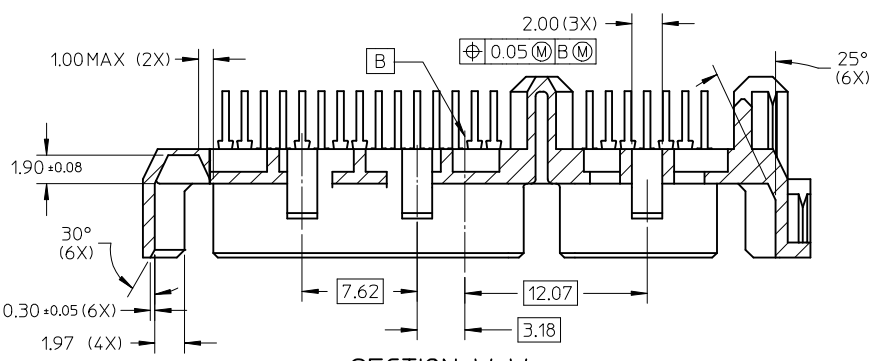


SECTION V-V

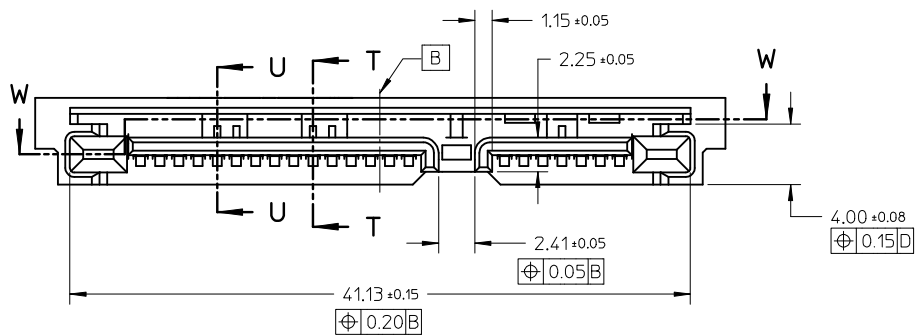


SEE SHEET 3 EC NO: S2009-0651 DRWN:GMENARLY 2009/03/13 CHKD:CGOH 2009/03/13 APPR:BOKOK 2009/03/14	QUALITY SYMBOLS ▽=0 ◻=0	GENERAL TOLERANCES (UNLESS SPECIFIED)		DIMENSION STYLE MM ONLY		SCALE NTS	DESIGN UNITS METRIC	THIRD ANGLE PROJECTION		
			mm	INCH	DRAWN BY	DATE	TITLE			
		4 PLACES	± ---	± ---	GMENARLY	2008/07/15	SERIAL ATA PLUG WITH LATCHING STRADDLE MOUNT			
		3 PLACES	± ---	± ---	CHECKED BY	DATE				
2 PLACES	± 0.20	± ---	YKOH	2008/08/01	MOLEX INCORPORATED					
1 PLACE	± ---	± ---	APPROVED BY	DATE						
ANGULAR ± 3 °		DRAFT WHERE APPLICABLE MUST REMAIN WITHIN DIMENSIONS		BOKOK	2008/08/01	DOCUMENT NO.		SHEET NO.		
A2	REV	SEE TABLE		MATERIAL NO.		SD-78448-001		2 OF 6		
THIS DRAWING CONTAINS INFORMATION THAT IS PROPRIETARY TO MOLEX INCORPORATED AND SHOULD NOT BE USED WITHOUT WRITTEN PERMISSION										

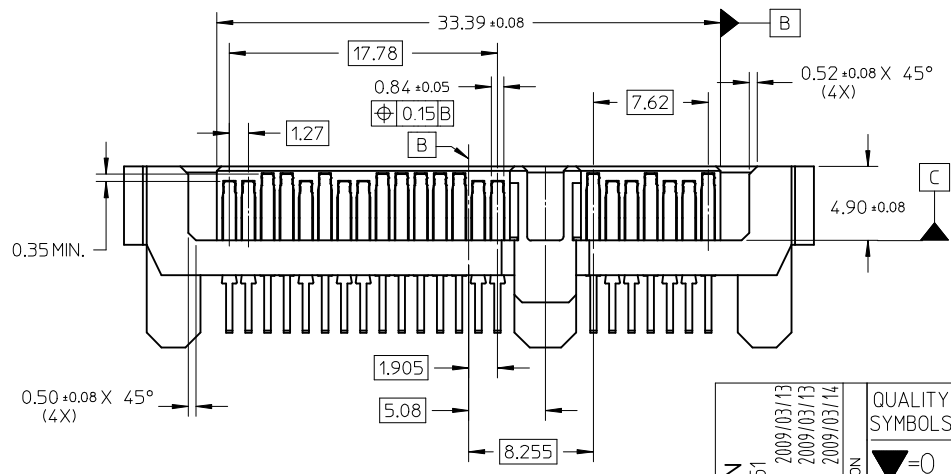
9 8 7 6 5 4 3 2 1



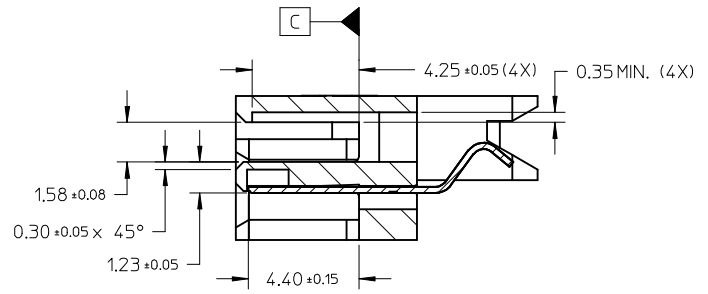
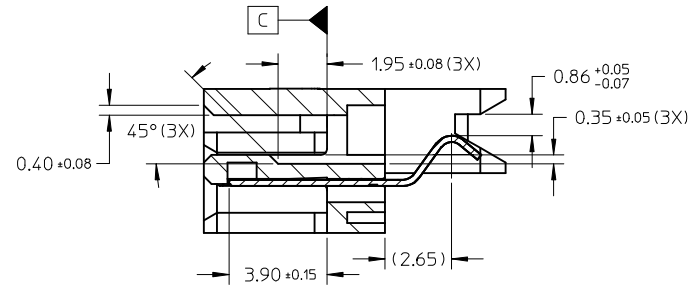
SECTION W-W



SECTION U-U



SECTION T-T



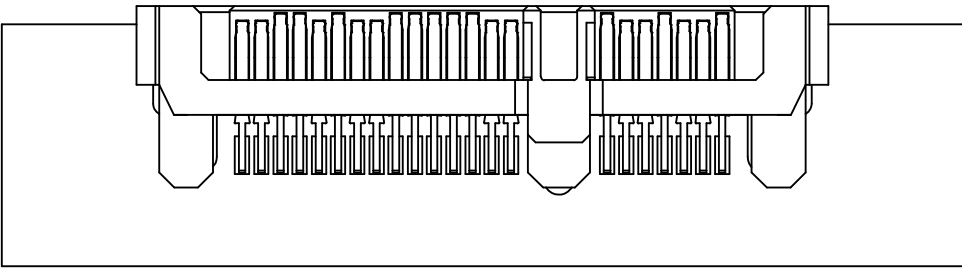
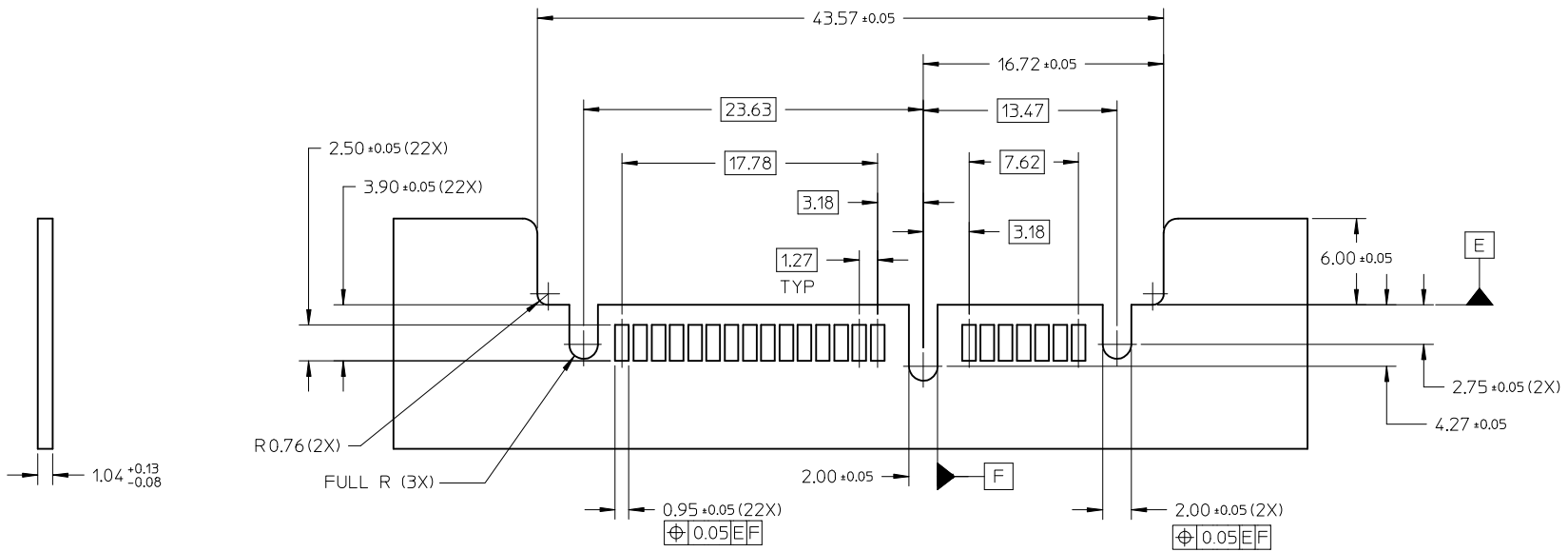
REV	DESCRIPTION	DATE	BY	APPR
A2	ADD DIMENSION	2009/03/13	DRWN:GMENARLY	2009/03/13
	EC NO: S2009-0651		CHKD:CGOH	2009/03/14
			APPR: BOKOK	

QUALITY SYMBOLS	
	= 0
	= 0.05

GENERAL TOLERANCES (UNLESS SPECIFIED)		
	mm	INCH
4 PLACES	± ---	± ---
3 PLACES	± ---	± ---
2 PLACES	± 0.20	± ---
1 PLACE	± ---	± ---
ANGULAR ± 3 °		

DIMENSION STYLE		SCALE	DESIGN UNITS	THIRD ANGLE PROJECTION
MM ONLY		NTS	METRIC	
DRAWN BY	DATE	TITLE		
GMENARLY	2008/07/15	SERIAL ATA PLUG WITH LATCHING STRADDLE MOUNT		
CHECKED BY	DATE	MOLEX INCORPORATED		
YKOH	2008/08/01	SD-78448-001		
APPROVED BY	DATE	SHEET NO.		
BOKOK	2008/08/01	3 OF 6		
MATERIAL NO.	DOCUMENT NO.	THIS DRAWING CONTAINS INFORMATION THAT IS PROPRIETARY TO MOLEX INCORPORATED AND SHOULD NOT BE USED WITHOUT WRITTEN PERMISSION		
SEE TABLE				

10 9 8 7 6 5 4 3 2 1



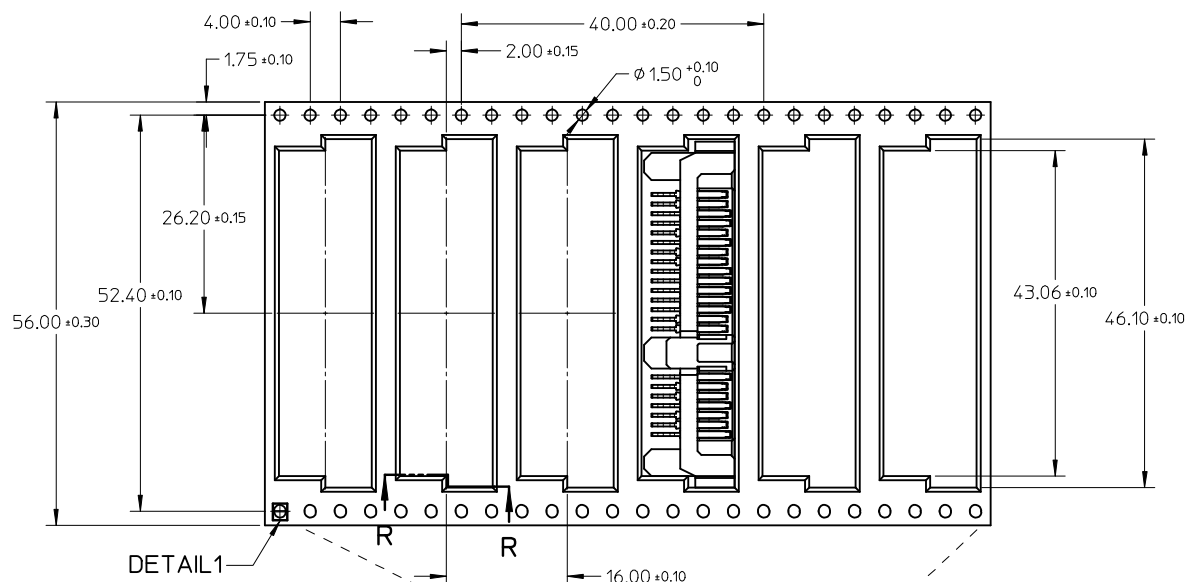
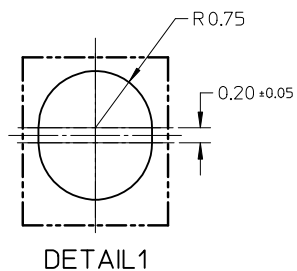
RECOMMENDED PCB LAYOUT

SEE SHEET 3 EC NO: S2009-0651 DRWN:GMENARLY 2009/03/13 CHKD:CGOH 2009/03/13 APPR:BOKOK 2009/03/14	QUALITY SYMBOLS	GENERAL TOLERANCES (UNLESS SPECIFIED)	DIMENSION STYLE	SCALE	DESIGN UNITS	THIRD ANGLE PROJECTION	
	▼=0 ◻=0	mm INCH 4 PLACES ± --- ± --- 3 PLACES ± --- ± --- 2 PLACES ± 0.20 ± --- 1 PLACE ± --- ± --- ANGULAR ± 3 °	MM ONLY	NTS	METRIC		
	DESCRIPTION	DRAFT WHERE APPLICABLE MUST REMAIN WITHIN DIMENSIONS	DRAWN BY	DATE	TITLE		
	REV		GMENARLY	2008/07/15	SERIAL ATA PLUG WITH LATCHING STRADDLE MOUNT		
A2		CHECKED BY	DATE	MOLEX INCORPORATED		SHEET NO.	
		YKOH	2008/08/01			4 OF 6	
		APPROVED BY	DATE				
		BOKOK	2008/08/01				
		MATERIAL NO.	SEE TABLE	SD-78448-001			
		SIZE	THIS DRAWING CONTAINS INFORMATION THAT IS PROPRIETARY TO MOLEX INCORPORATED AND SHOULD NOT BE USED WITHOUT WRITTEN PERMISSION				
		A3					

9 8 7 6 5 4 3 2 1

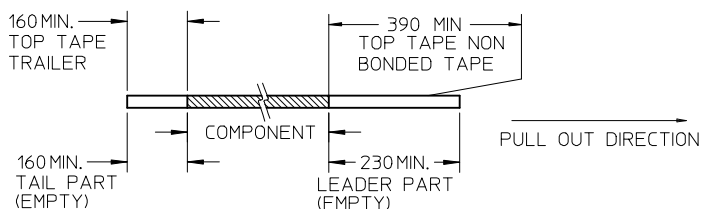
PACKAGING INFORMATION

PART ORIENTATION IN TAPE & REEL

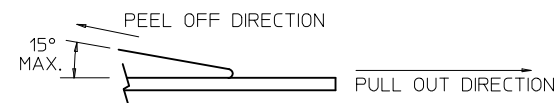


NOTES:

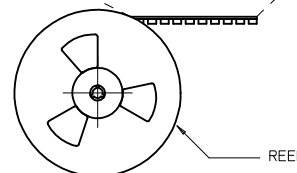
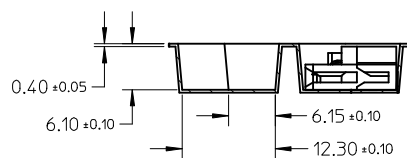
1. LEADER AND TRAILER TAPE



2. PEELING OFF FORCE OF THE TOP TAPE: 20 - 80gf. (PEELING DIRECTION AS SHOWN IN FOLLOWING FIGURE)



3. TAPE AND REEL SPECIFICATION IS AS PER EIA-481.
4. TAPE AND REEL QUANTITY : 650 PCS/ REEL.
5. THE TAPE IS TREATED FOR ANTI-STATIC.



SEE SHEET 3 EC NO: S2009-0651 DRWN:GMENARLY 2009/03/13 CHKD:CGOH 2009/03/13 APPR:BOKOK 2009/03/14	QUALITY SYMBOLS	GENERAL TOLERANCES (UNLESS SPECIFIED)		DIMENSION STYLE	SCALE	DESIGN UNITS	THIRD ANGLE PROJECTION
	▽=0 ◻=0	mm	INCH	MM ONLY	NTS	METRIC	
		4 PLACES ± --- ± ---	3 PLACES ± --- ± ---	DRAWN BY	DATE	TITLE	
		2 PLACES ± 0.20 ± ---	1 PLACE ± --- ± ---	CHECKED BY	DATE	SERIAL ATA PLUG WITH LATCHING STRADDLE MOUNT	
	ANGULAR ± 3 °	DRAFT WHERE APPLICABLE MUST REMAIN WITHIN DIMENSIONS		APPROVED BY	DATE	MOLEX INCORPORATED	
		SEE TABLE		BOKOK	2008/08/01	DOCUMENT NO. SD-78448-001	
A2	REV	SIZE A3		THIS DRAWING CONTAINS INFORMATION THAT IS PROPRIETARY TO MOLEX INCORPORATED AND SHOULD NOT BE USED WITHOUT WRITTEN PERMISSION			SHEET NO. 5 OF 6

10 9 8 7 6 5 4 3 2 1

F

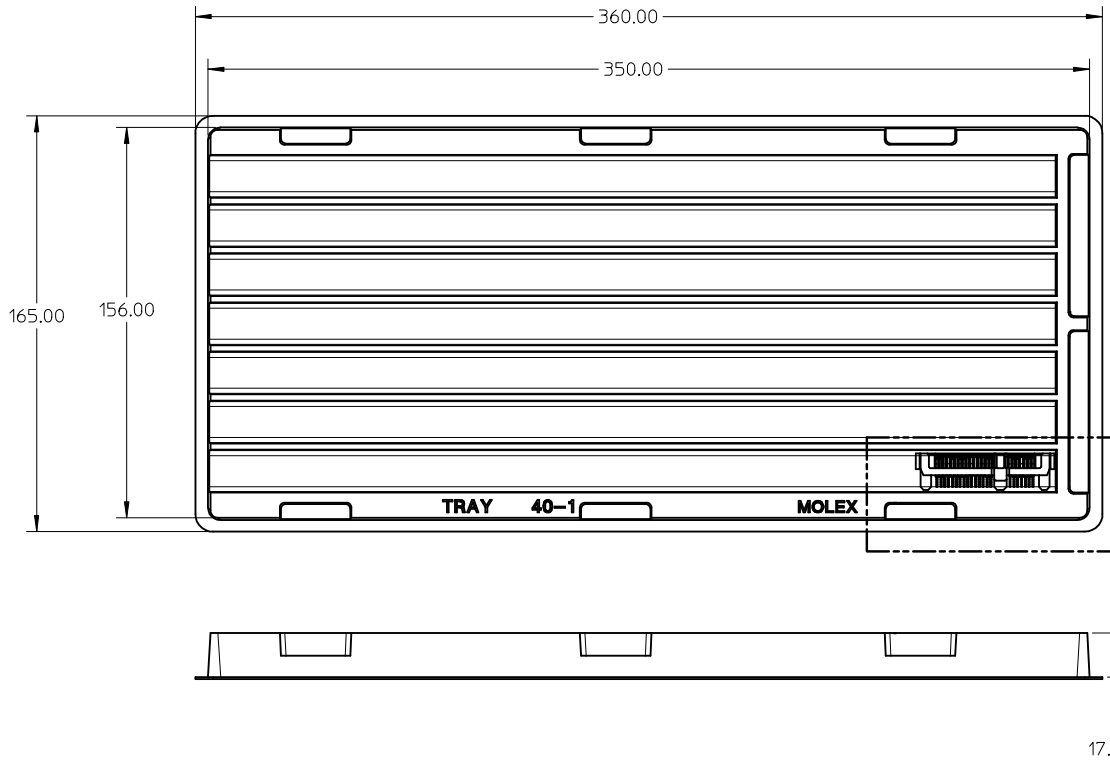
E

D

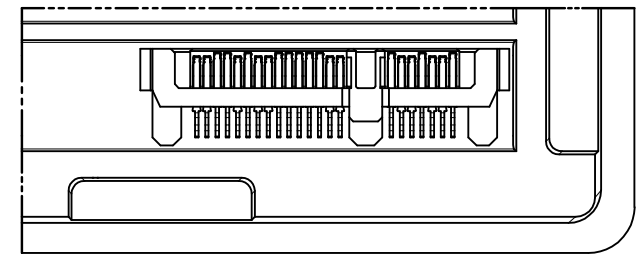
C

B

A



PART ORIENTATION IN TRAY



DETAIL2

DETAIL2

NOTES:

- 1. PACKAGING QTY: 49PCS/TRAY
- 2. MATERIAL : PVC - CLEAR, ANTISTATIC

SEE SHEET 3 EC NO: S2009-0651 DRWN:GMENARLY 2009/03/13 CHKD:CGOH 2009/03/13 APPR:BOKOK 2009/03/14	DESCRIPTION REV	QUALITY SYMBOLS	GENERAL TOLERANCES (UNLESS SPECIFIED)		DIMENSION STYLE MM ONLY		SCALE NTS	DESIGN UNITS METRIC	THIRD ANGLE PROJECTION		
		▽=0 ◻=0	mm	INCH	DRAWN BY GMENARLY	DATE 2008/07/15	TITLE SERIAL ATA PLUG WITH LATCHING STRADDLE MOUNT				
			4 PLACES ± --- ± ---	3 PLACES ± --- ± ---	CHECKED BY YKOH	DATE 2008/08/01	MOLEX INCORPORATED				
			2 PLACES ± 0.20 ± ---	1 PLACE ± --- ± ---	APPROVED BY BOKOK	DATE 2008/08/01	DOCUMENT NO. SD-78448-001				
DRAFT WHERE APPLICABLE MUST REMAIN WITHIN DIMENSIONS			ANGULAR ± 3 °		MATERIAL NO. SEE TABLE		SHEET NO. 6 OF 6				
					SIZE A3		THIS DRAWING CONTAINS INFORMATION THAT IS PROPRIETARY TO MOLEX INCORPORATED AND SHOULD NOT BE USED WITHOUT WRITTEN PERMISSION				

9 8 7 6 5 4 3 2 1