

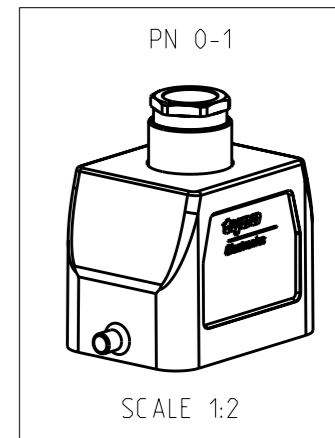
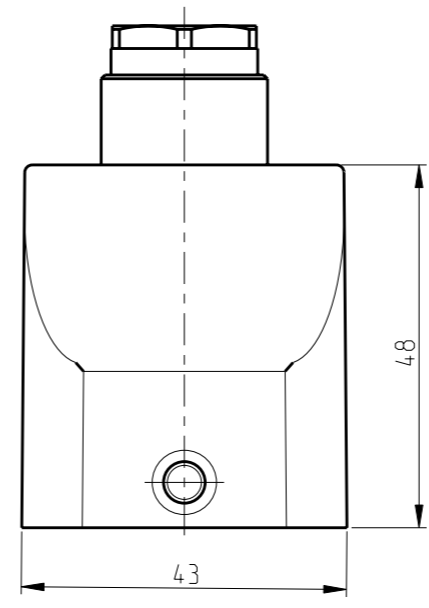
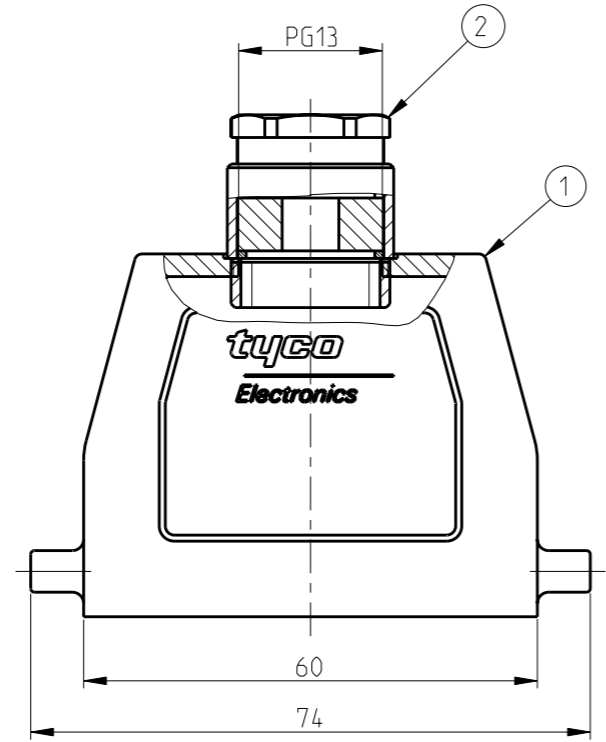
THIS DRAWING IS UNPUBLISHED. RELEASED FOR PUBLICATION 1999
 © COPYRIGHT 1998 BY TYCO ELECTRONICS CORPORATION. ALL RIGHTS RESERVED.

LOC	DIST	REVISIONS					
		P	LTR	DESCRIPTION	DATE	DWN	APVD
A1			A2	Released as per ECR-07-030416	17.12.07	SP	TS

NOTES

- 1 Material: Housing: Aluminium diecasting alloy
- 2 Surface:- Varnish-Grey
- 3 Varnish on the inside not necessarily
- 4 Packaging
Packaging quantity: 5 pieces in a box

PN 0-1



QTY	DESCRIPTION	MATERIAL	SURFACE	COLOR	ITEM NO	NOTES
1	Adaptor round	Brass	Nickel plated	Blue	2	PG13
1	Hood HB	Aluminium	-	Grey	1	-

ORDERING TEXT
 HB.6.STO.1.13

<small>THIS DRAWING IS A CONTROLLED DOCUMENT FOR TYCO ELECTRONICS CORPORATION IT IS SUBJECT TO CHANGE AND THE CONTROLLING ENGINEERING ORGANIZATION SHOULD BE CONTACTED FOR THE LATEST REVISION.</small>		DWN Schneider 26.11.02 CHK Schweiger 26.11.02 APVD	Tyco Electronics Tyco Electronics,AMP,GmbH D-53819,Neunkirchen,Germany
DIMENSIONS: mm 	TOLERANCES UNLESS OTHERWISE SPECIFIED: n-ISO 8015 n-ISO 2768-mH-E n-DIN 16901-120 0 PLC ± 1 PLC ± 2 PLC ± 3 PLC ± 4 PLC ± ANGLES ±	PRODUCT SPEC APPLICATION SPEC WEIGHT	NAME Hood. HB.6.STO.1.13
MATERIAL	FINISH	CUSTOMER DRAWING	SIZE A3 CAGE CODE 00779 DRAWING NO C-1102063 RESTRICTED TO

DWN Schneider 26.11.02 CHK Schweiger 26.11.02 APVD		Tyco Electronics Tyco Electronics,AMP,GmbH D-53819,Neunkirchen,Germany
DIMENSIONS: mm 	TOLERANCES UNLESS OTHERWISE SPECIFIED: n-ISO 8015 n-ISO 2768-mH-E n-DIN 16901-120 0 PLC ± 1 PLC ± 2 PLC ± 3 PLC ± 4 PLC ± ANGLES ±	NAME Hood. HB.6.STO.1.13
MATERIAL	FINISH	SIZE A3 CAGE CODE 00779 DRAWING NO C-1102063 RESTRICTED TO
CUSTOMER DRAWING		SCALE 1:1 SHEET 1 OF 1 REV A2