



MATE-N-LOK | Commercial MATE-N-LOK

TE Internal #: 163302-8

Power Contacts, Contact, Tin, 17 – 13 AWG Wire Size, 1 – 2.5 mm<sup>2</sup> Wire Size, Wire & Cable, Crimp, Power, Socket, Phosphor Bronze, Commercial MATE-N-LOK

[View on TE.com >](#)

Connectors > Power Connectors > Power Contacts



Power Contact Type: **Contact**

Contact Mating Area Plating Material: **Tin**

Wire Size: **1 – 2.5 mm<sup>2</sup>**

Connector & Contact Terminates To: **Wire & Cable**

**Features**

**Product Type Features**

Compatible With Discrete Wire Type	Stranded
Power Contact Type	Contact
Connector & Contact Terminates To	Wire & Cable

**Contact Features**

Contact Mating Area Plating Material	Tin
Contact Type	Socket
Contact Retention Within Housing	With
Mating Pin Diameter	2.1 mm[.082 in]
Contact Base Material	Phosphor Bronze
Wire Contact Termination Area Plating Material	Tin-Lead
Wire Contact Termination Area Plating Material Finish	Bright
Contact Orientation	Straight

**Termination Features**

Termination Method to Wire & Cable	Crimp
------------------------------------	-------



### Mechanical Attachment

Contact Retention Type Within Housing	Locking Lance
Wire Insulation Support	Without

### Dimensions

Wire Size	1 – 2.5 mm <sup>2</sup>
Compatible Insulation Diameter Range	2.5 – 3.8 mm [.098 – .15 in]

### Operation/Application

Circuit Application	Power
---------------------	-------

### Packaging Features

Packaging Quantity	3500
Packaging Method	Reel

### Product Compliance

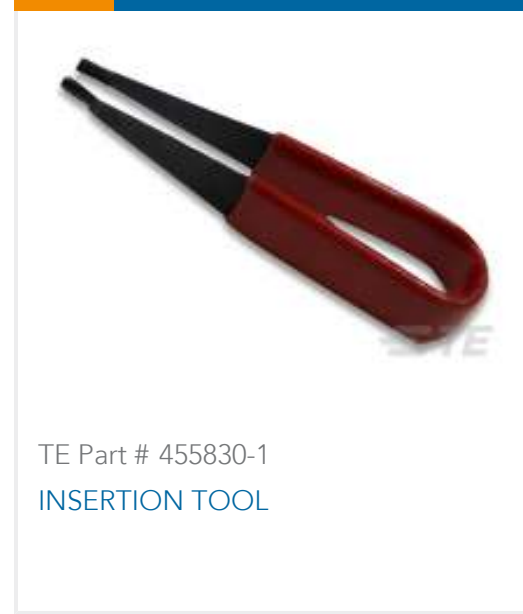
[For compliance documentation, visit the product page on TE.com>](#)

EU RoHS Directive 2011/65/EU	Compliant
EU ELV Directive 2000/53/EC	Compliant
China RoHS 2 Directive MIIT Order No 32, 2016	No Restricted Materials Above Threshold
EU REACH Regulation (EC) No. 1907/2006	Current ECHA Candidate List: JUNE 2023 (235) Candidate List Declared Against: JAN 2023 (233) Does not contain REACH SVHC
Halogen Content	Low Halogen - Br, Cl, F, I < 900 ppm per homogenous material. Also BFR/CFR/PVC Free
Solder Process Capability	Not applicable for solder process capability

#### Product Compliance Disclaimer

This information is provided based on reasonable inquiry of our suppliers and represents our current actual knowledge based on the information they provided. This information is subject to change. The part numbers that TE has identified as EU RoHS compliant have a maximum concentration of 0.1% by weight in homogenous materials for lead, hexavalent chromium, mercury, PBB, PBDE, DBP, BBP, DEHP, DIBP, and 0.01% for cadmium, or qualify for an exemption to these limits as defined in the Annexes of Directive 2011/65/EU (RoHS2). Finished electrical and electronic equipment products will be CE marked as required by Directive 2011/65/EU. Components may not be CE marked. Additionally, the part numbers that TE has identified as EU ELV compliant have a maximum concentration of 0.1% by weight in homogenous materials for lead, hexavalent chromium, and mercury, and 0.01% for cadmium, or qualify for an exemption to these limits as defined in the Annexes of Directive 2000/53/EC (ELV). Regarding the REACH Regulation, the information TE provides on SVHC in articles for this part number is based on the latest European Chemicals Agency (ECHA) 'Guidance on requirements for substances in articles' posted at this URL: <https://echa.europa.eu/guidance-documents/guidance-on-reach>

## Compatible Parts



## Also in the Series | Commercial MATE-N-LOK



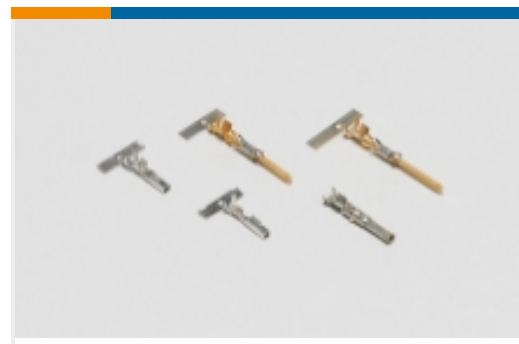
Connector Contacts(16)



Crimp Wire Pins, Tabs & Ferrules(2)



Insertion & Extraction Tools(5)



Power Contacts(127)



Rectangular Caps & Covers(2)



Rectangular Connector Housings(11)



Rectangular Connector Seals(1)



Rectangular Power Connectors(166)

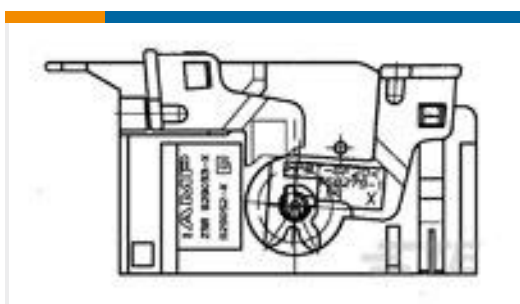


Standard Circular Connectors(2)



Standard Rectangular Connectors(7)

## Customers Also Bought



TE Part #929053-2  
MOS ABDEKA M.HEB32P



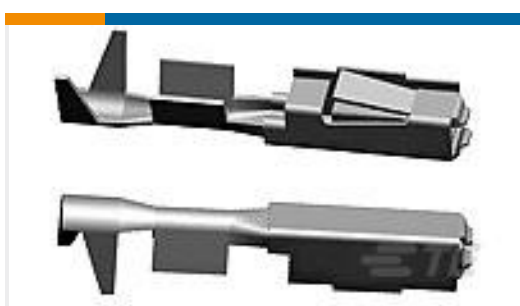
TE Part #282191-2  
SPLASH PROOF CONN. W.S.L.



TE Part #2-1355200-1  
MCP2,8BU-GEH ASSY2P



TE Part #1411169-1  
MARKET2X4MAL UNSEAL



TE Part #5-968221-6  
MOS0,63 Ag rec CB unseal. 0,5-0,75



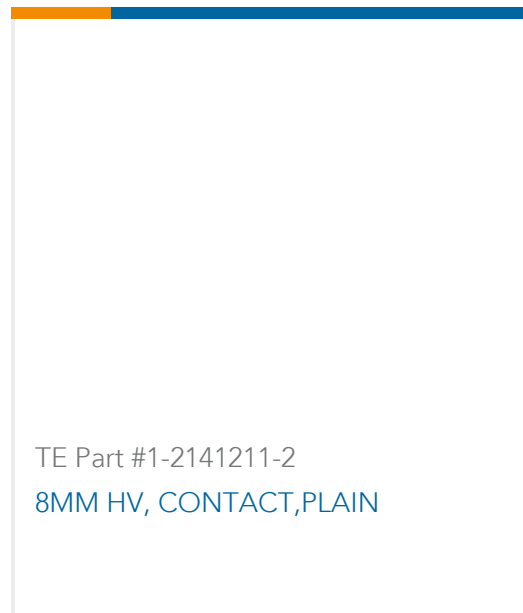
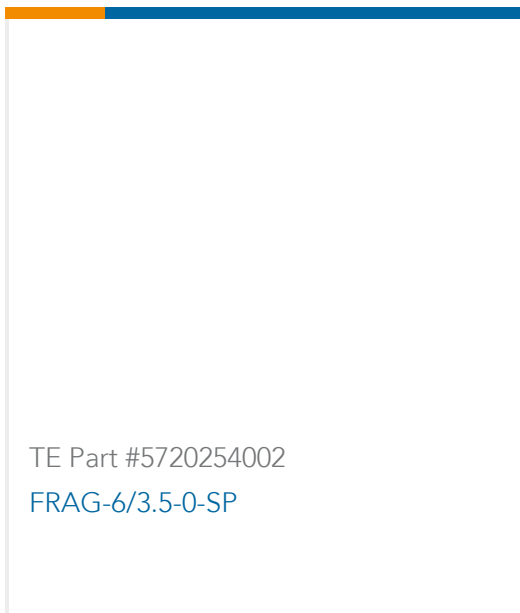
TE Part #1337245-3  
HSG ASSY DIA 1.5MM SOCKETLATCH



TE Part #1534184-2  
MCP COVER ASSY32P



TE Part #967376-2  
FLA-STE-GEH KPL16P



## Documents

### Product Drawings

#### MATENLOK SOCKET

English

### CAD Files

#### 3D PDF

3D

#### Customer View Model

[ENG\\_CVM\\_CVM\\_163302-8\\_W.2d\\_dxf.zip](#)

English

#### Customer View Model

[ENG\\_CVM\\_CVM\\_163302-8\\_W.3d\\_igs.zip](#)

English

#### Customer View Model

[ENG\\_CVM\\_CVM\\_163302-8\\_W.3d\\_stp.zip](#)

English

#### 3D PDF

English

#### Customer View Model

[ENG\\_CVM\\_163302-8\\_E.3d\\_igs.zip](#)

English

#### Customer View Model

[ENG\\_CVM\\_163302-8\\_E.3d\\_stp.zip](#)

English

#### Customer View Model

[ENG\\_CVM\\_163302-8\\_E.2d\\_dxf.zip](#)

English

By downloading the CAD file I accept and agree to the [Terms and Conditions](#) of use.

### Product Specifications

#### Application Specification

English

### Product Environmental Compliance

#### TE Material Declaration

English

