

4

3


2

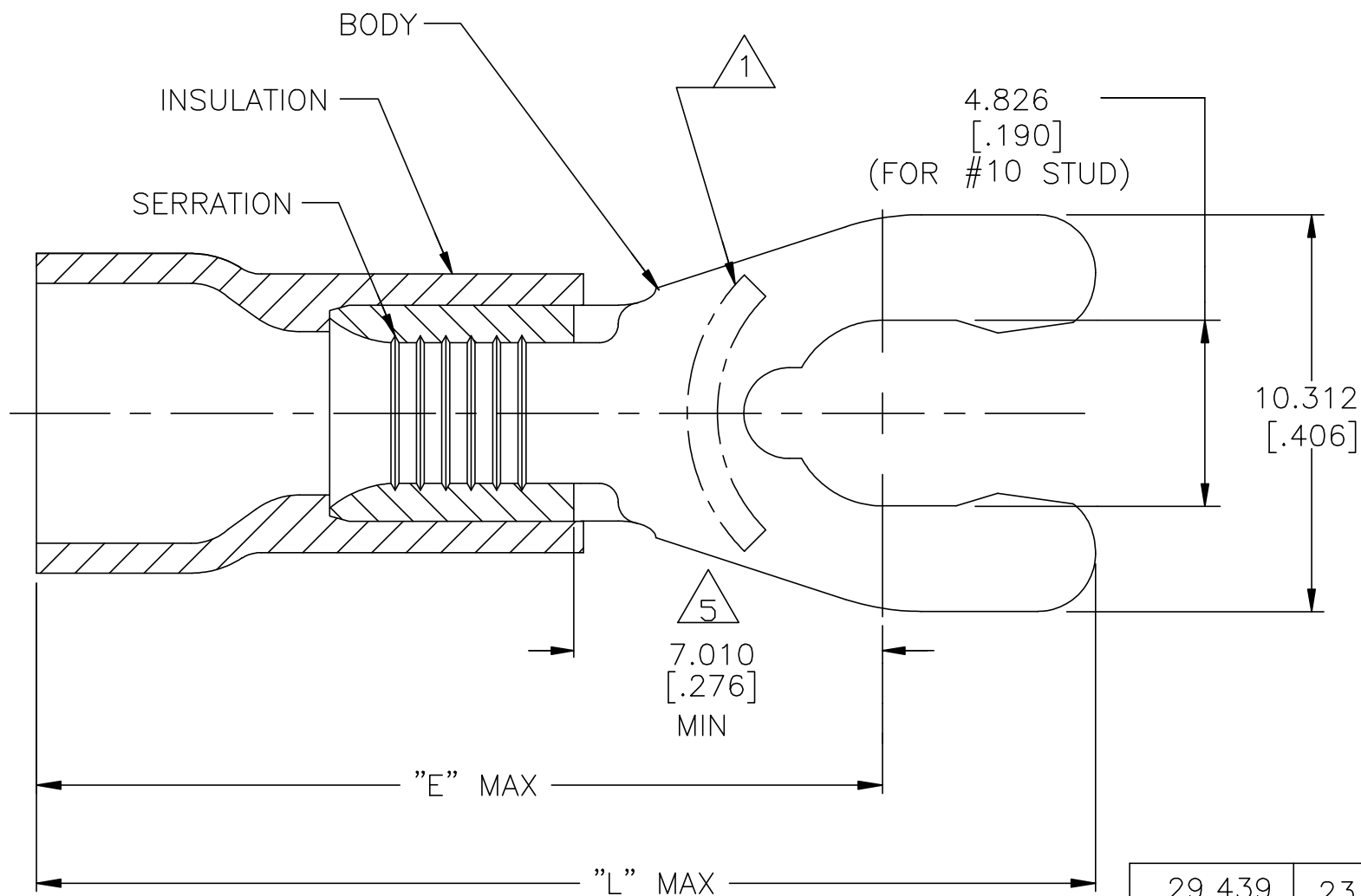
1

© - TE Connectivity. All Rights Reserved.

REVISIONS

P	LTR	DESCRIPTION	DATE	DWN	APVD
	U	REVISED PER ECR-23-163311	09MAR2023	BB	DSC

<b>AMP</b> WIRE RANGE	 Listed FILE E13288
12-10 AWG SOLID OR STRANDED	12 AWG STRANDED



- ① STAMP 10S AMP 12-10\* APPROX AS SHOWN
- ② SEE TABLE FOR WIRE INSUL DIA
- ③ BODY MATERIAL THK: 1.016±0.051[.040±.002]
- ④ MATERIAL: BODY - BRASS PER ASTM B36  
INSULATION - PVC
- ⑤ APPLIES FROM EDGE OF METAL WIRE  
BARREL TO CENTER OF STUD HOLE
- ⑥ FINISH:  
BODY - TIN PLATE 0.00254[.000100] MIN  
EXT THK PER ASTM B545  
INSULATION COLOR - YELLOW

29.439 [1.159]	23.774 [.936]	6.350-7.620 [.250-.300]	1500	ON TAPE, REEL	52963-5
29.439 [1.159]	23.774 [.936]	6.350-7.620 [.250-.300]	500	LOOSE PIECE	52963-4
27.940 [1.100]	22.276 [.877]	3.810-6.350 [.150-.250]	500	LOOSE PIECE	52963-2
27.940 [1.100]	22.276 [.877]	2.667-5.080 [.105-.200]	2500	ON TAPE, REEL	52963-1
27.940 [1.100]	22.276 [.877]	2.667-5.080 [.105-.200]	500	LOOSE PIECE	52963
L	E	WIRE INSUL DIA	QTY	PACKAGE TYPE	PART NO

AMP INCORPORATED  
CUSTOMER SERVICE SYSTEMS

MAX RECOMMENDED OPERATING  
TEMPERATURE:

105°C [221°F]

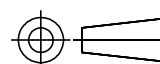
VOLTAGE RATING:  
600V MAX  
(1000V FIXTURE OR SIGN)

CIRCULAR MIL AREA:  
2.62-6.64mm² [5,180-13,100]  
SOLID OR STRANDED

THIS DRAWING IS A CONTROLLED DOCUMENT FOR  
AMP INCORPORATED. IT IS SUBJECT TO CHANGE  
AND THE CONTROLLING ENGINEERING ORGANIZATION  
SHOULD BE CONTACTED FOR THE LATEST REVISION.

THIS DRAWING IS A CONTROLLED DOCUMENT.

DIMENSIONS:  
mm [INCHES]



TOLERANCES UNLESS  
OTHERWISE SPECIFIED:

- 0 PLC ± -
- 1 PLC ± -
- 2 PLC ± -
- 3 PLC ± 0.127[.005]
- 4 PLC ± -
- ANGLES ± -

MATERIAL



FINISH



DWN 26JUN95

L OLMEDA

CHK 26JUN95

M ELLIS

APVD 26JUN95

G NGO

PRODUCT SPEC

APPLICATION SPEC

114-2161

WEIGHT

CUSTOMER DRAWING



NAME  
TERMINAL, SPRING SPADE,  
SHORT, PLASTI-GRIP  
WIRE SIZE: 12-10 AWG

SIZE CAGE CODE DRAWING NO RESTRICTED TO

A3 00779 C=52963

SCALE 6:1 SHEET 1 of 1 REV U

FOR ADDITIONAL  
PRODUCT INFORMATION OR  
COPIES OF DRAWINGS  
AND TECHNICAL DOCUMENTS

PRODUCT INFORMATION CENTER  
1-800-522-6752

FOR APPLICATION  
TOOLING INFORMATION

TOOLING ASSISTANCE CENTER  
1-800-722-1111

FOR ORDER ENTRY

1-800-526-5142