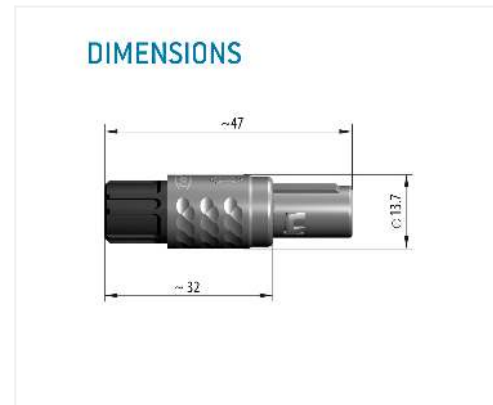
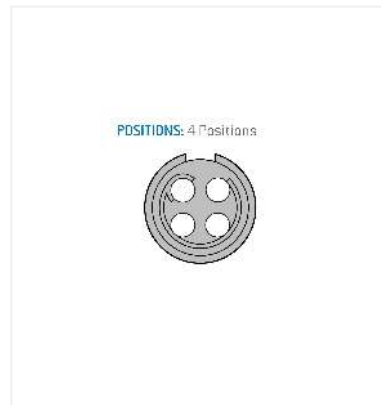


## General information

|                   |                     |
|-------------------|---------------------|
| Part number       | S11M07-P04MJG0-6570 |
| Termination       | solder              |
| Size              | 1                   |
| Locking principle | push                |
| Coding            | 0 key               |
| Cable Diameter    | cable medi 65       |
| Cable outlet      | standard            |



## Contact insert description

|                      |        |
|----------------------|--------|
| Number of contacts   | 4      |
| Contact type         | pins   |
| Contact diameter     | 09mm   |
| Insulator material   | peek   |
| Wire cross section   | 22_awg |
| Termination          | solder |
| Termination diameter | 085mm  |

reverse\_gender\_on\_request

## Technical information

|  |          |               |
|--|----------|---------------|
| Max. creepage and air clearance distance | 12_mm    |               |
| Nominal current single contact           | 075_a    | iec_60512_5_2 |
| Nominal current insert                   | 7,5 A    | vde_0298_4    |
| Test voltage                             | 19_kv_dc | sae_13441     |

safety\_text

## Mechanical and environmental data

|                       |          |
|-----------------------|----------|
| Degree of protection* | ip50     |
| Operating temperature | 50_120_c |
| Mating cycles         | 2000     |

mated\_unmated

## Insulator materials MEDI-SNAP®

psu\_peek

## Material and surface treatments

|                     |               |
|---------------------|---------------|
| <b>Housing</b>      | psu_gray      |
| <b>Color option</b> | gray          |
| <b>Contact</b>      | cu_alloy_gold |

safety\_text\_2  
ul\_text  
illustrative\_text