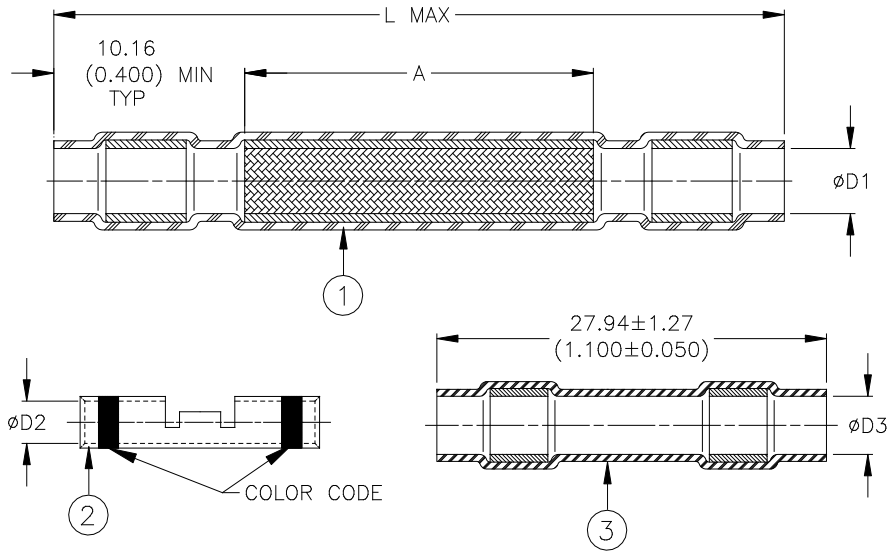


CUSTOMER DRAWING




Product Revisions Part Names	Primary No.	AWG Range	Color Code	Product Dimensions					
				L Max	A=2.54 (0.100)	øD1	øD2	øD3	
D-150-0228	A	1	26-20	Red	80.52 (3.170)	50.30 (1.970)	3.00 (0.118)	1.14 (0.045)	2.79 (0.110)
D-150-0229	B	1	20-16	Blue	80.52 (3.170)	50.30 (1.970)	4.00 (0.157)	1.63 (0.064)	4.00 (0.157)
D-150-0230	B	1	16-12	Yellow	80.52 (3.170)	50.30 (1.970)	5.00 (0.197)	2.46 (0.097)	4.32 (0.170)
D-150-0231	A	2	26-20	Red	105.92 (4.170)	74.93 (2.950)	4.00 (0.157)	1.14 (0.045)	2.16 (0.085)
D-150-0232	A	2	18-16	Blue	105.92 (4.170)	74.93 (2.950)	5.00 (0.197)	1.63 (0.064)	2.79 (0.110)
D-150-0233	B	2	14	Yellow	105.92 (4.170)	74.93 (2.950)	6.00 (0.236)	2.46 (0.097)	4.32 (0.170)
D-150-0234	B	2	12	Yellow	105.92 (4.170)	74.93 (2.950)	9.04 (0.356)	2.46 (0.097)	4.32 (0.170)
D-150-0235	A	3/4	26-20	Red	105.92 (4.170)	74.93 (2.950)	4.00 (0.157)	1.14 (0.045)	2.16 (0.085)
D-150-0236	A	3/4	22-20	Red	105.92 (4.170)	74.93 (2.950)	5.00 (0.197)	1.14 (0.045)	2.16 (0.085)
D-150-0237	A	3/4	18-16	Blue	105.92 (4.170)	74.93 (2.950)	6.00 (0.236)	1.63 (0.064)	2.79 (0.110)
D-150-0238	A	3/4	14-12	Yellow	105.92 (4.170)	74.93 (2.950)	9.04 (0.356)	2.46 (0.097)	4.32 (0.170)
D-150-0239	A	4	26-20	Red	105.92 (4.170)	74.93 (2.950)	6.00 (0.236)	1.14 (0.045)	2.16 (0.085)

MATERIALS

- SOLDERSHIELD SPLICE SLEEVE:** Heat-shrinkable, radiation cross-linked modified polyvinylidene fluoride sleeve, containing two environment resistant sealing rings and a solder impregnated, flux-coated copper-wire braid.
Transparent blue.
SOLDER: TYPE Sn63 per ANSI J-STD-006.
FLUX: TYPE ROM1 per ANSI J-STD-004.
- CRIMP SPLICE (1, 2, OR 4 PER KIT):** Nickel-plated copper alloy.
- SEALING SPLICE SLEEVE (1, 2, OR 4 PER KIT):** Heat-shrinkable, radiation cross-linked modified polyvinylidene fluoride sleeve, containing two environment resistant sealing rings. Transparent blue.

APPLICATION

- These kits are designed to make an environment-resistant, 1 to 1 in-line splice in shielded single, twisted pair, trio and quad cables having nickel-plated conductors and insulations rated for 135°C minimum.
- Temperature rating: -55°C to +150°C.
- For installation procedures refer to the applicable sections of Raychem Process Standard RCPS 150-02.

		Raychem Devices	TITLE : (1 TO 1 SPLICES-CRIMP) SOLDERSHIELD SPLICE KIT, SHIELDED CABLE 26 THRU 12 AWG, Ni PLATED, 1 TO 4 CONDUCTORS				
			DOCUMENT NO.: D-150-0228/-0239				
Unless otherwise specified dimensions are in millimeters. Inches dimensions are in between brackets.			DATE: 14-Sept-2017		REVISION: H		
TOLERANCES: 0.00 N/A 0.0 N/A 0 N/A	ANGLES: N/A ROUGHNESS IN MICRON	TE Connectivity reserves the right to amend this drawing at any time. Users should evaluate the suitability of the product for their application.					
DRAWN BY: A.REY	CAGE CODE: 06090	ECO No: ECO-17-013266	PROD. REV. SEE TABLE	SCALE: None	SIZE: A	SHEET: 1 of 1	