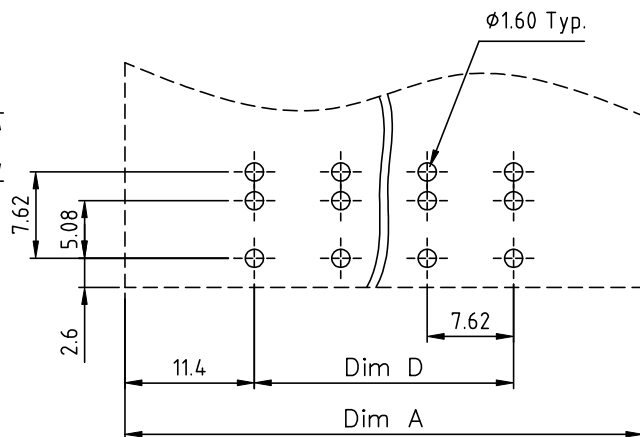
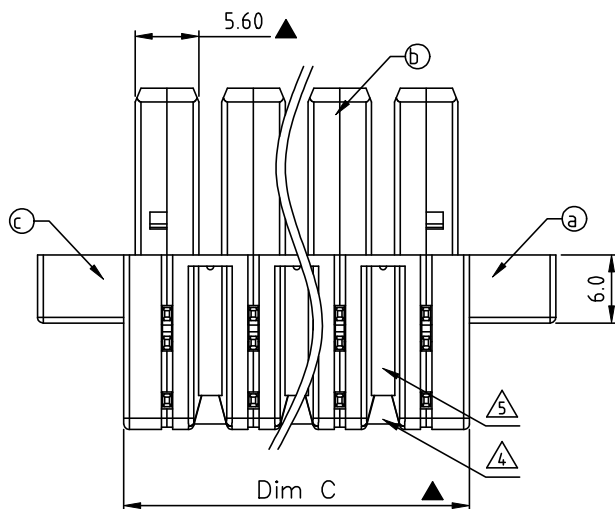
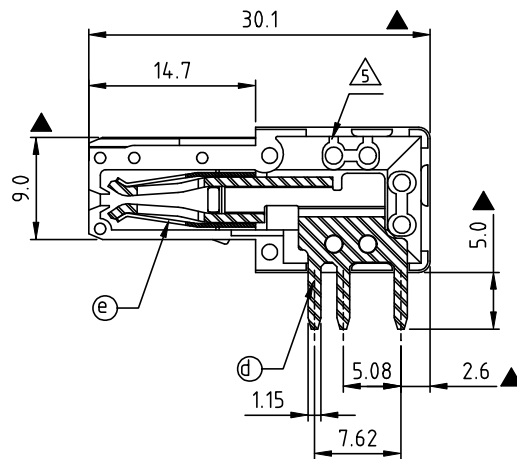
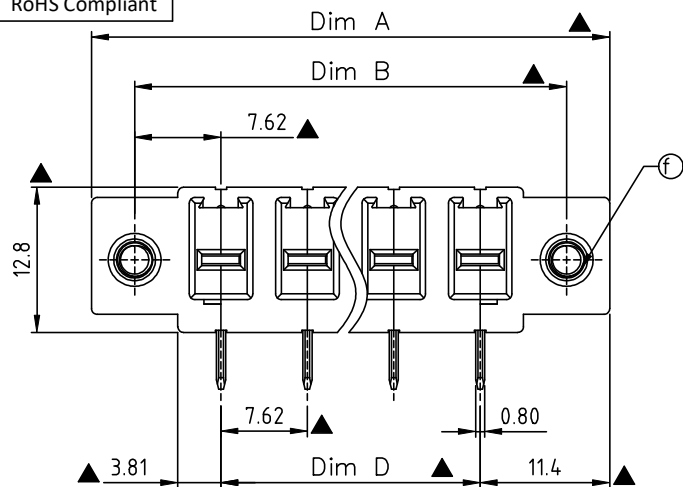


RoHS Compliant



N=NUMBER OF POLES

PCB LAYOUT

REV	SIGN	DATE	DESCRIPTION	APPROVER
C		12/11/12	Change the dimensional tolerance	Chen Bo
D		09/26/13	add the safety certification icon	Chen Bo
		09/26/13	change the electrical specification	Chen Bo
E		12/14/17	change the structure	Chen Bo
F		11/08-18	change the structure	Chen Bo

THIS IS CAD DRAWING, DO NOT REVISE MANUALLY!!!

Material:

- Item a Left Cover :Thermoplastic (UL94 - V0)
- Item b Middle Body :Thermoplastic (UL94 - V0)
- Item c Right Cover :Thermoplastic (UL94 - V0)
- Item d Contact pin: Copper, Bright Tin plated over Nickel plated
- Item e Wire guard:Stainless Steel (ET 7.62)
- Item f Flange Nut: Steel , Zinc plated M3 (VC 7.62)

Electrical: cULus

- Voltage rating: 300V
- Current rating: 41A
- Withstanding Voltage:1.6 KV
- Operating temperature:-40°C to +115°C
- Wave soldering temperature:260°C±5°C/5 Sec
- Safety approval:
- Critical dimension:

KSxx02x2xxxxG

No. OF POLES
02: 2 POLES
:
16: 16 POLES

COLOR
0 Black (RAL9005)
2 Red (RAL3001/D)
3 Orange(RAL2011/P)
4 Yellow(RAL1018/A)
5 Green(RAL6018/T)
6 Blue (RAL5015/A)
8 Grey(RAL7035/D)
9 White(RAL1102)
C Green(RAL6018/U)

G RoHS compliant (lead<4%) In copper Alloy
0000: "@ Logo (Standard)
000A: "ANYTEK" Mark
Any special item by customer request. please contact sales department.

DIM		TOL			
		2P--5P	6P--8P	9P--12P	13P--16P
Dim A	(N+2)×7.62	±0.30	±0.35	±0.40	±0.50
Dim B	(N+1)×7.62	±0.30	±0.35	±0.40	±0.50
Dim C	N×7.62	±0.30	±0.35	±0.40	±0.50
Dim D	(N-1)×7.62	±0.30	±0.35	±0.40	±0.50

Amphenol ANYTEK				CUSTOMER COPY			
ALL RIGHTS RESERVED. REPRODUCTION OR ISSUE TO THIRD PARTIES IN ANY FORM WHATSOEVER IS NOT PERMITTED WITHOUT WRITTEN AUTHORITY FROM THE PROPRIETOR. PROPERTY OF ANYTEK TECHNOLOGY CO., LTD							
TITLE		KS 7.62 Series 2P-16P With Flange Right angle (Up)					
PART NO.		KSxx02x2xxxxG			DWG NO.		8KS0006
APPROVED		CHECKED	DESIGNED	DRAWN	CUST NO.		Tolerance
			Chen Bo 11/08-18	Chen Bo 12/11/12			X. ±0.50 X.X ±0.30 X.XX ±0.10 X° ±1°
		SHEET: 01/01		REV.: F			