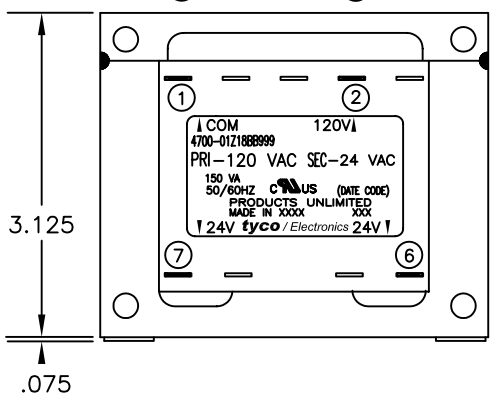


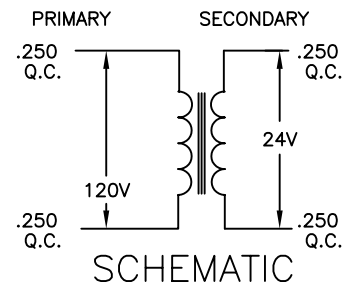
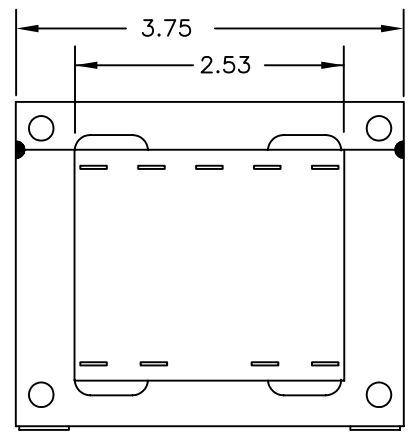
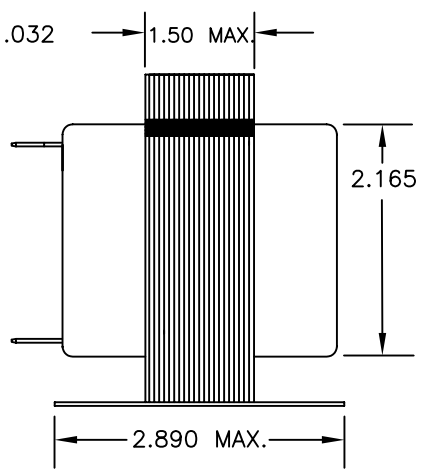
| | | | | | | | | | |
|--------------------|------|------|---|---|-----------|------|------|---|---|
| PRIMARY | | | | | SECONDARY | | | | |
| TERM NO. | 1 | 2 | 3 | 4 | 5 | 6 | 7 | 8 | 9 |
| VOLTAGE | COM | 120 | | | | 24 | VAC | | |
| TERMINAL WIDTH | .250 | .250 | | | | .250 | .250 | | |
| TERMINAL THICKNESS | .032 | .032 | | | | .032 | .032 | | |

NOTES:
 1. DIMENSIONS FOR REFERENCE ONLY.
 2. WINDING PROTECTION-INHERENTLY LIMITING

CERTIFICATION:UL/CUL FILE NO E102980



ALL Q.C. .250 X .032



TYCO PART NUMBER
5-1672104-0

| | | | | | |
|---|-------------|-------------------|-----------------------|---|---------------|
| THIS DRAWING IS A CONTROLLED DOCUMENT. | | DWN K.H. | 24JUN03 | Tyco Electronics Corporation Harrisburg, PA 17105-3608 | |
| DIMENSIONS: INCHES | | CHK - | APVD DH | NAME TRANSFORMER OUTLINE P.U.STOCK | |
| TOLERANCES UNLESS OTHERWISE SPECIFIED: 0 PLC ± - 1 PLC ± - 2 PLC ± - 3 PLC ± - 4 PLC ± - ANGLES ± - | | PRODUCT SPEC - | APPLICATION SPEC - | SIZE A3 | RESTRICTED TO |
| MATERIAL - | FINISH - | WEIGHT - | CAGE CODE 00779 | DRAWING NO C=4700-01Z18BB999 | SCALE NTS |
| CUSTOMER DRAWING | | | SHEET 1 | OF 1 | REV 0 |