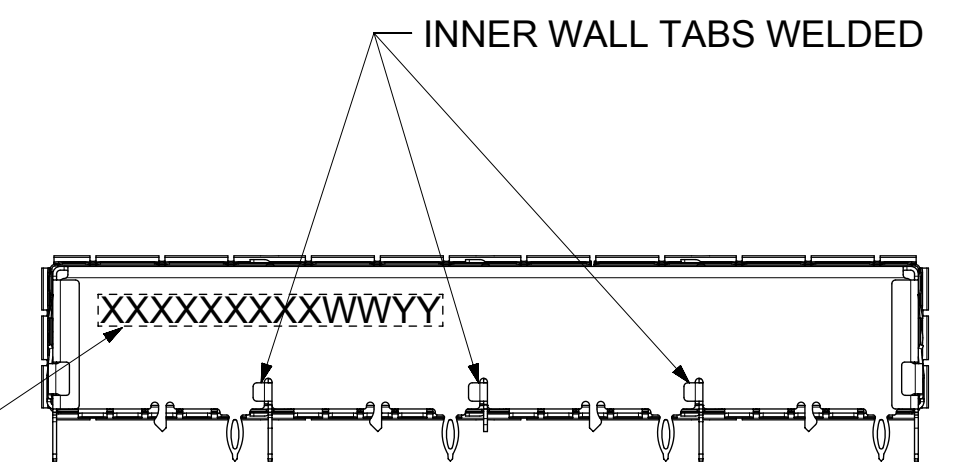
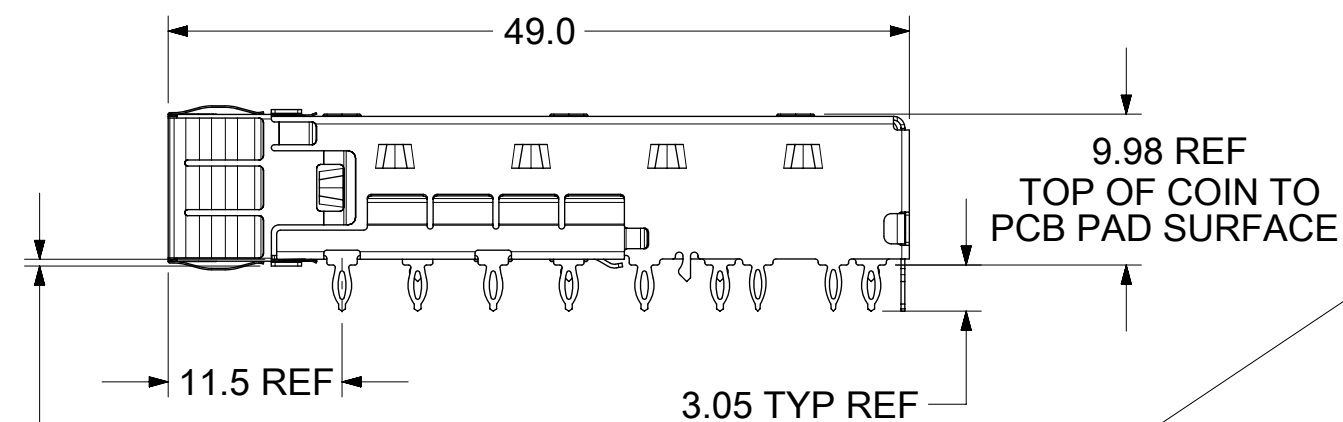
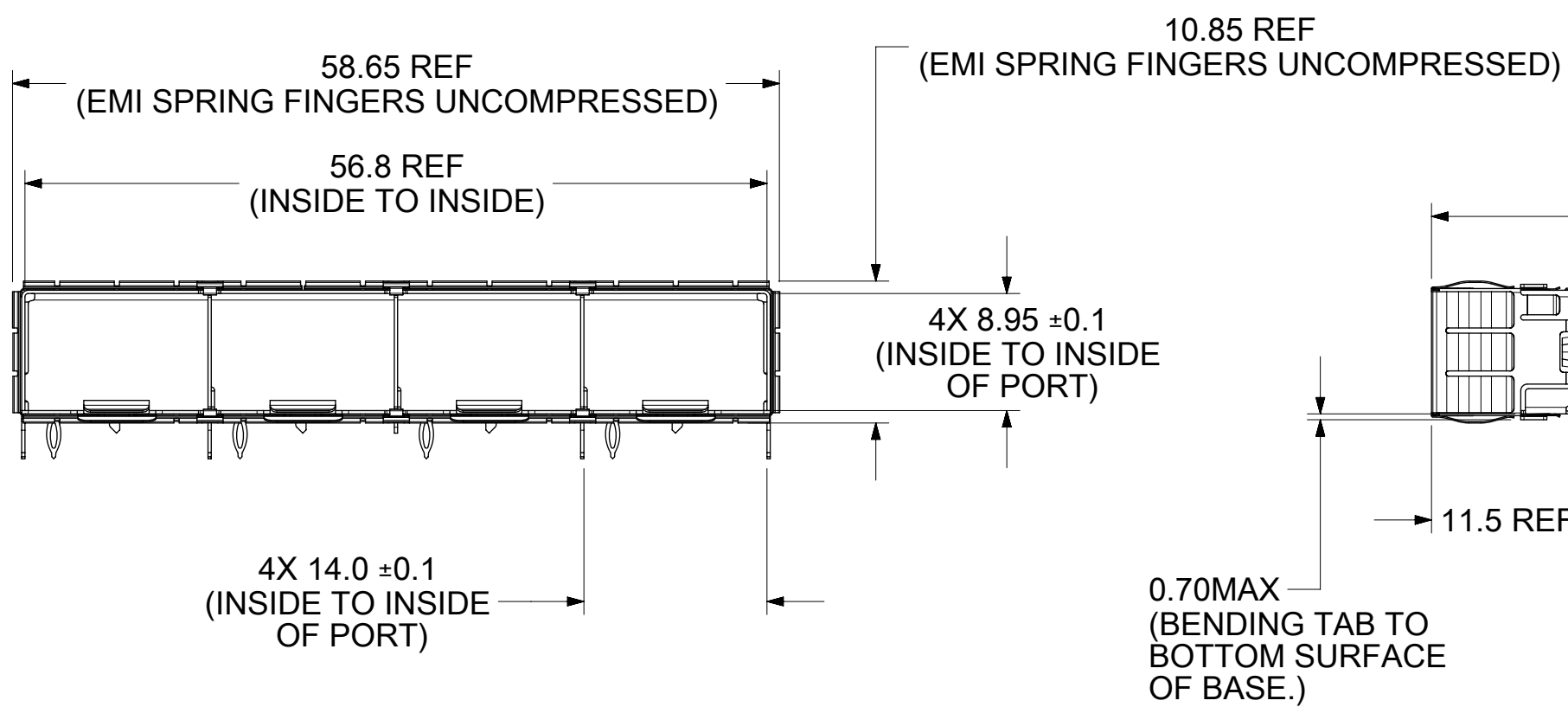
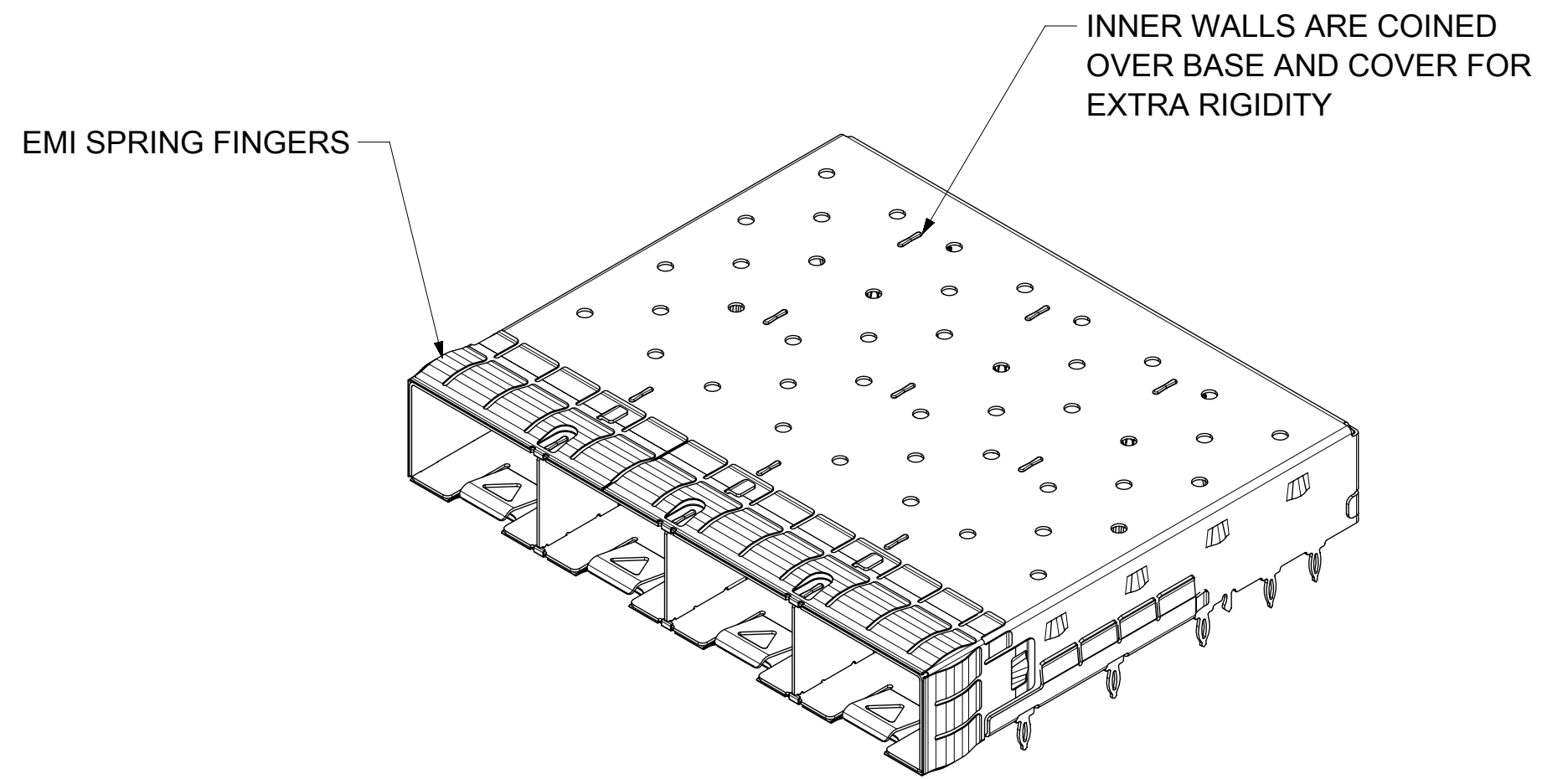
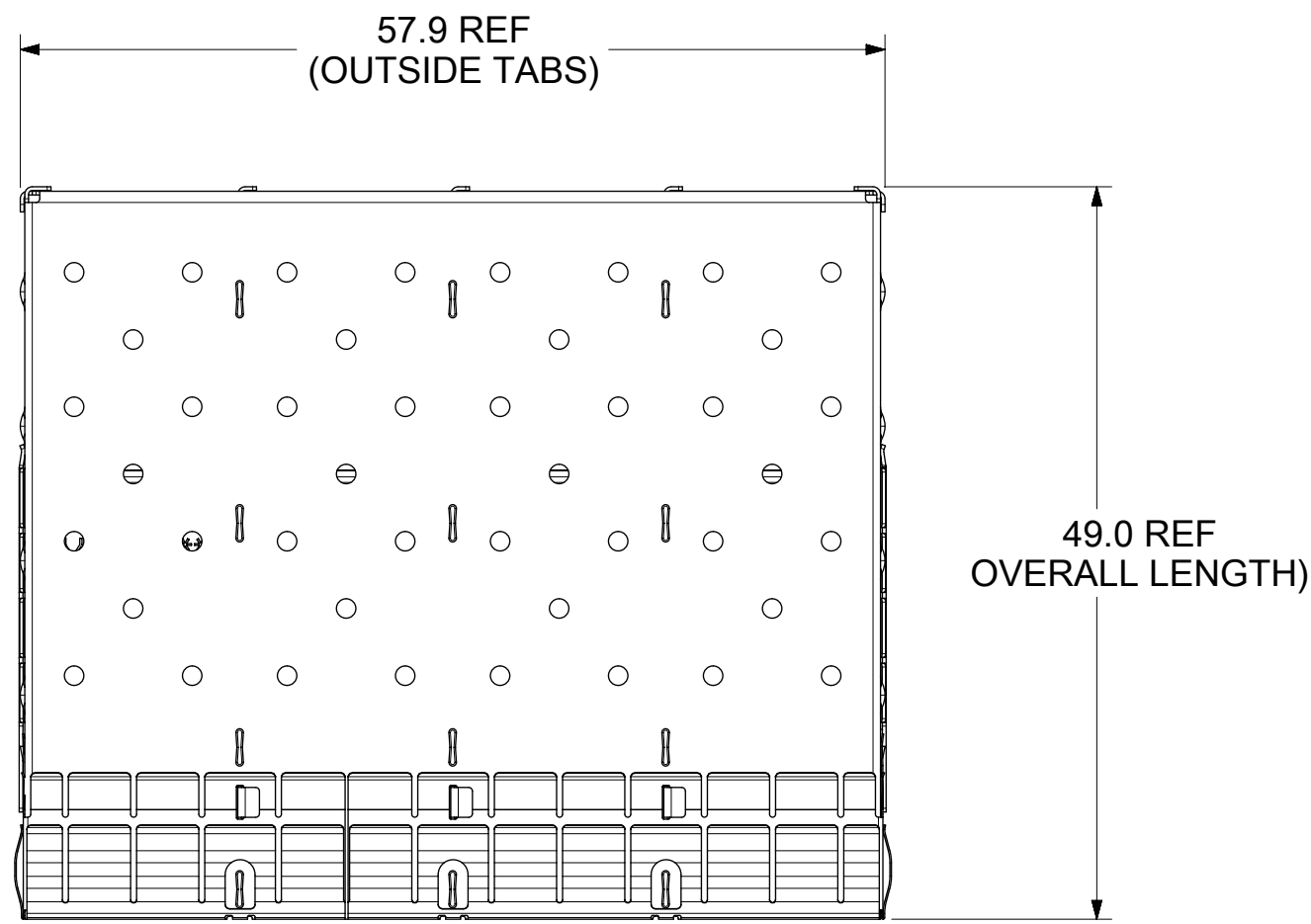


# BASE CAGE DETAILS

(APPLIES TO ALL CAGES IN THIS DRAWING)

747548420

SHOWN



PART NO. AND WEEK/YEAR DATE CODE TO BE PRINTED ON THE BACK OF COMPLETED CAGE ASSEMBLY APPROXIMATELY AS SHOWN ON 74754 SERIES CAGE ASSEMBLIES.

## NOTES:

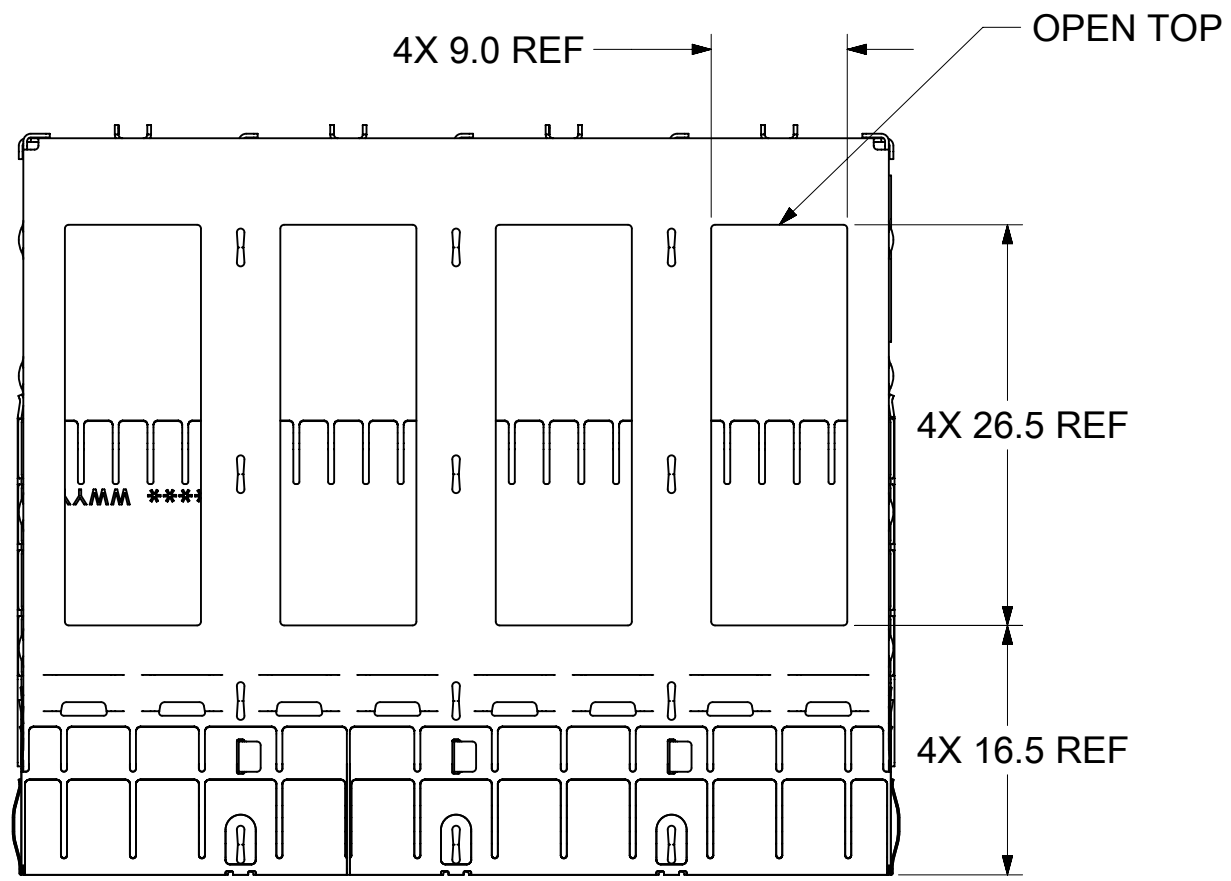
- MATERIAL:  
CAGE: 0.25mm THICK COPPER ALLOY, NICKEL PLATED.  
SPRING FINGERS: STAINLESS STEEL  
HEATSINK: ALUMINUM, NICKEL PLATED.  
HEATSINK SPRING CLIP: STAINLESS STEEL.
- PRESS FIT LEGS 3.05mm LONG:
- PORTS ARE DESIGNED FOR SFP+ TRANSCEIVERS AND ARE COMPATIBLE WITH SFP TRANSCEIVERS.  
THE TOP SURFACE OF THE MODULE MUST BE FLAT (NO PRODUCT LABEL RECESS)  
AND THERMALLY CONDUCTIVE TO FUNCTION OPTIMALLY.
- WELD SPOT MAY SHOW SLIGHT MATERIAL DISCOLORATION.
- NO RoHS EXEMPTIONS.
- CUSTOM HEATSINKS AVAILABLE UPON REQUEST.

WEEK/YEAR DATE CODE TABLE	
WW	01 THRU 52 OR 53 EXAMPLE: 01 = FIRST WEEK OF YEAR 52 = LAST WEEK OF YEAR
YY	22, 23, 24,, ETC. EXAMPLE: YEAR 2022 = 22

FUNCTIONAL SYMBOLS		THIS DRAWING CONTAINS INFORMATION THAT IS PROPRIETARY TO MOLEX ELECTRONIC TECHNOLOGIES, LLC AND SHOULD NOT BE USED WITHOUT WRITTEN PERMISSION		CURRENT REV DESC: SEE REVISION TABLE	
$\nabla_A = 0$	DIMENSION UNITS	SCALE			
	mm	2:1			
$\nabla_E = 0$	GENERAL TOLERANCES (UNLESS SPECIFIED)				
$\nabla_P = 0$	ANGULAR TOL ± 1.0°				
DIVISIONAL SYMBOLS		4 PLACES ±		EC NO: 706897	
		3 PLACES ±		DRWN: ABHILT2 2022/05/04	
		2 PLACES ± 0.15		CHK'D: TKUMARKC 2022/05/16	
		1 PLACE ± 0.25		APPR: SCHIEN 2022/05/19	
		0 PLACES ±		INITIAL REVISION:	
DRAFT WHERE APPLICABLE MUST REMAIN WITHIN DIMENSIONS		THIRD ANGLE PROJECTION		DRWN: ABHILT2 2022/05/04	
		DRAWING		APPR: SCHIEN 2022/05/19	
		C-SIZE		SERIES	
		111112		DOCUMENT NUMBER	
		SEE SHEET 3		111128320	
		MATERIAL NUMBER		DOC TYPE	
		CUSTOMER		PSD	
		SHEET NUMBER		ASY	
		1 OF 7		A	

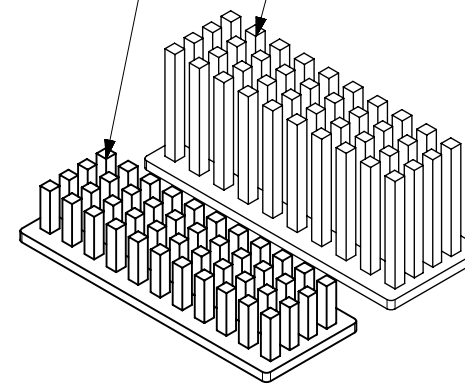
DOCUMENT STATUS	P1	RELEASE DATE	2022/05/19 07:40:31
-----------------	----	--------------	---------------------

# CAGE ASSEMBLY OPTIONS



## HEATSINK OPTIONS

PIN FIELD NETWORKING  
PIN FIELD SAN



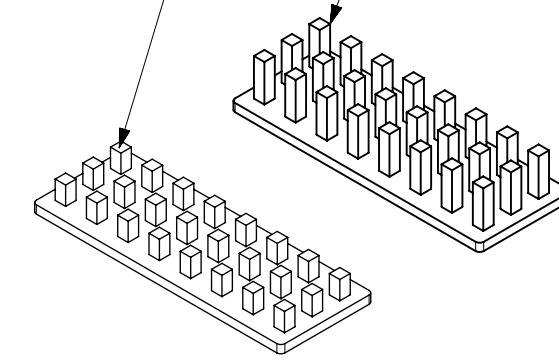
### OVERALL HEATSINK HEIGHT

APPLICATION	DIM 'A'
SAN	16.6
NETWORKING	23.6

NOTE: PCI-13ROWS  
SAN-11ROWS  
NETWORKING-10ROWS

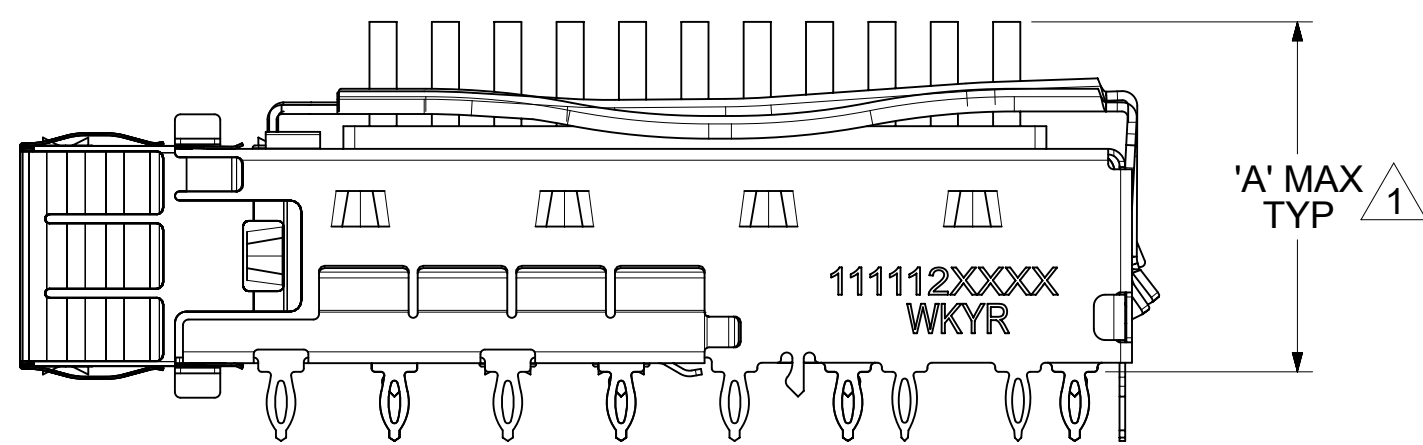
## HEATSINK OPTIONS

WIDE GAP PIN FIELD SAN  
WIDE GAP PIN FIELD PCI

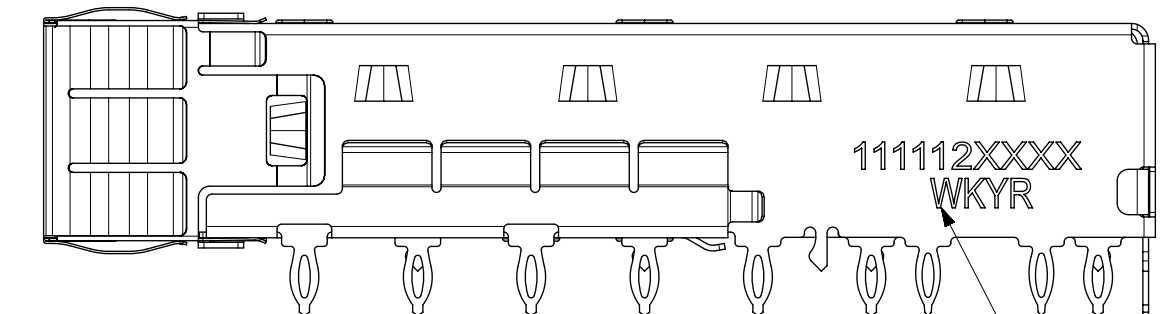
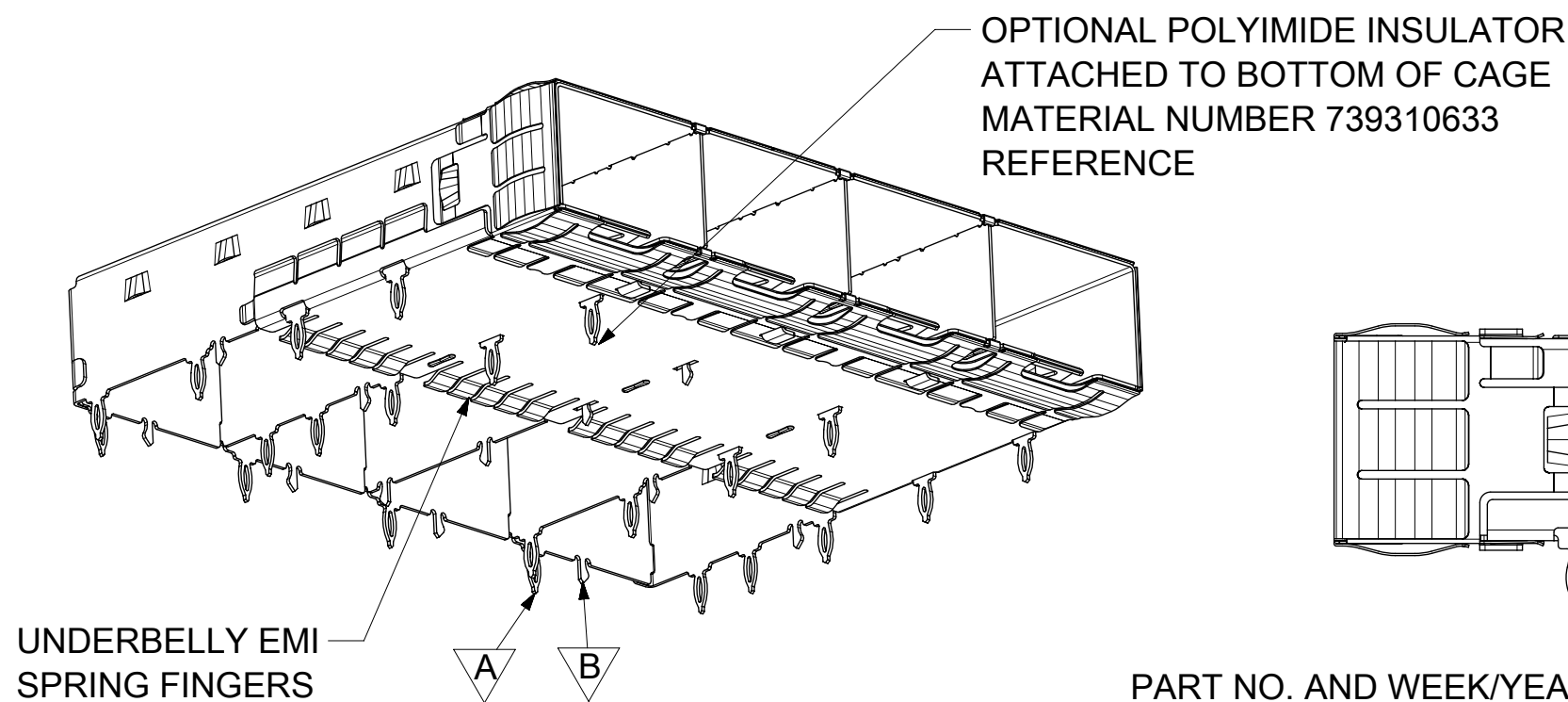


### OVERALL HEATSINK HEIGHT

APPLICATION	DIM 'A'
PCI	14.3
SAN	16.6



NOTES:  
1 HEIGHT OF HEATSINK WITH MODULE INSERTED.  
DIMENSION MAY BE LESS DUE TO MODULE AND HEATSINK VARIATIONS.



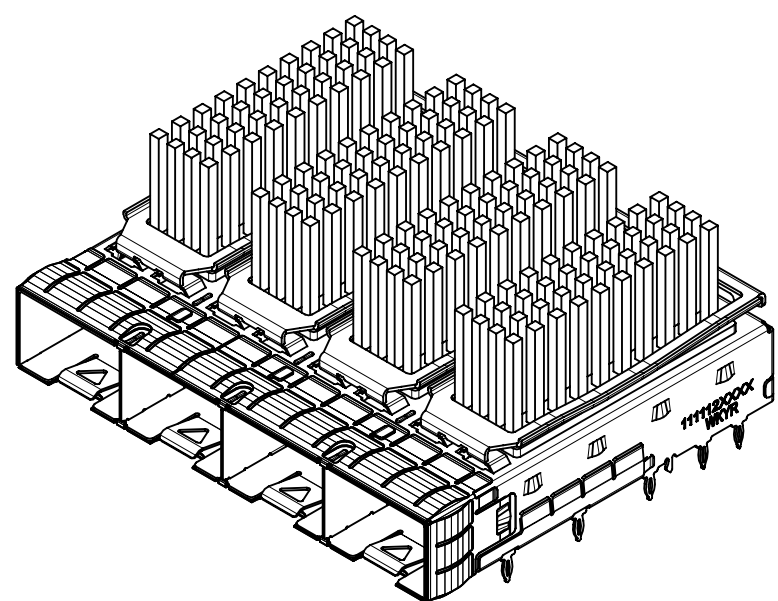
PART NO. AND WEEK/YEAR DATE CODE TO BE PRINTED ON THE SIDE OF COMPLETED CAGE ASSEMBLY APPROXIMATELY AS SHOWN FOR 11112 SERIES CAGE ASSEMBLIES.

WEEK/YEAR DATE CODE TABLE	
WW	01 THRU 52 OR 53 EXAMPLE: 01 = FIRST WEEK OF YEAR 52 = LAST WEEK OF YEAR
YY	22, 23, 24,, ETC. EXAMPLE: YEAR 2022 = 22

FUNCTIONAL SYMBOLS	THIS DRAWING CONTAINS INFORMATION THAT IS PROPRIETARY TO MOLEX ELECTRONIC TECHNOLOGIES, LLC AND SHOULD NOT BE USED WITHOUT WRITTEN PERMISSION		CURRENT REV DESC: SEE REVISION TABLE		<p>SFP+ 1X4 SF CAGE ASSY'S PRESS FIT, HEAT SINKS, WITH SUS EMI SPRING FINGERS</p>
$\nabla_A = 0$	DIMENSION UNITS	SCALE	EC NO: 706897		
$\nabla_C = 0$	mm	2:1	DRWN: ABHILT2	2022/05/04	
$\nabla_P = 0$	GENERAL TOLERANCES (UNLESS SPECIFIED)		CHK'D: TKUMARKC	2022/05/16	
DIVISIONAL SYMBOLS		ANGULAR TOL $\pm 1.0^\circ$	APPR: SCHIEN	2022/05/19	PRODUCT CUSTOMER DRAWING
4 PLACES $\pm$		DRAFT WHERE APPLICABLE MUST REMAIN WITHIN DIMENSIONS	INITIAL REVISION:		DOCUMENT NUMBER
3 PLACES $\pm$			DRWN: ABHILT2	2022/05/04	111128320
2 PLACES $\pm 0.15$			APPR: SCHIEN	2022/05/19	
1 PLACE $\pm 0.25$			THIRD ANGLE PROJECTION		PSD
0 PLACES $\pm$		DRAWING		ASY	REVISION
DRAFT WHERE APPLICABLE MUST REMAIN WITHIN DIMENSIONS		SERIES		111112	A
MATERIAL NUMBER		CUSTOMER		SEE SHEET 3	SHEET NUMBER
111112		C-SIZE		2 OF 7	

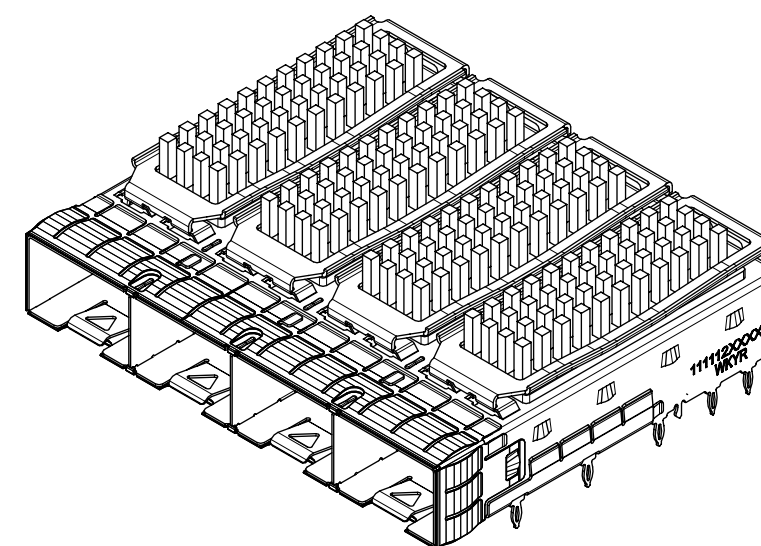
DOCUMENT STATUS	P1	RELEASE DATE	2022/05/19 07:40:31
-----------------	----	--------------	---------------------

# PART NUMBER SELECTION

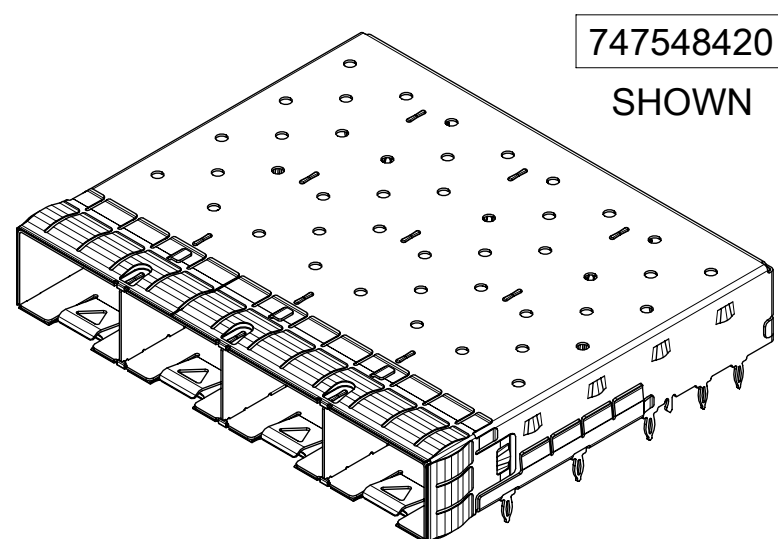


SFP+ PIN FIELD HEATSINK OPTION			
PART NO.	POLYIMIDE INSULATOR	HEAT SINK	# OF REAR LEGS PER PORT
1111128320	---	SAN	1A, 1B
1111123820	---	NET	1A, 1B
1111124860	YES	NET	1A, 1B

NOTE: PCI-13ROWS  
SAN-11ROWS  
NET-10ROWS



SFP+ WIDE GAP PIN FIELD HEATSINK OPTION			
PART NO.	POLYIMIDE INSULATOR	HEAT SINK	# OF REAR LEGS PER PORT
1111121820	---	PCI	1A, 1B
1111129421	---	CUSTOM	1A, 1B

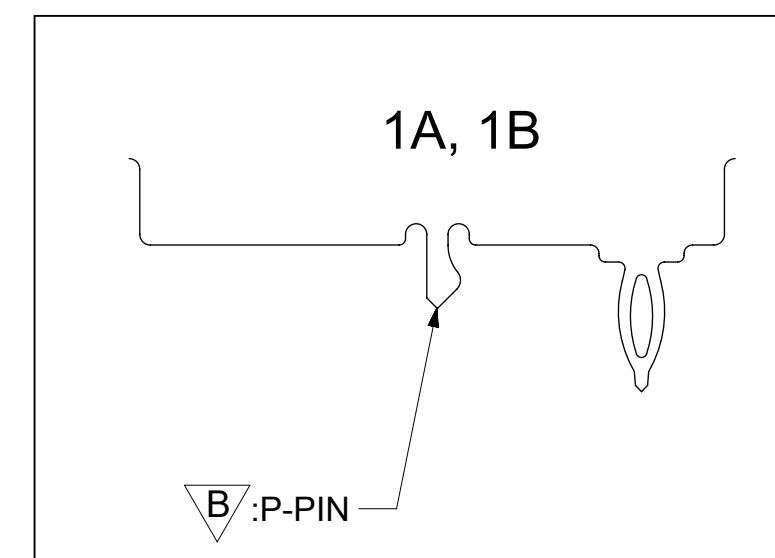


747548420  
SHOWN

SFP+ OPEN TOP BASE CAGE FOR HEATSINK				
PART NO.	POLYIMIDE INSULATOR	WELD POINT QUANTITY	# OF REAR LEGS PER PORT	PLATING
747548420	---	6	1A, 1B	----
747548427	YES	6	1A, 1B	----

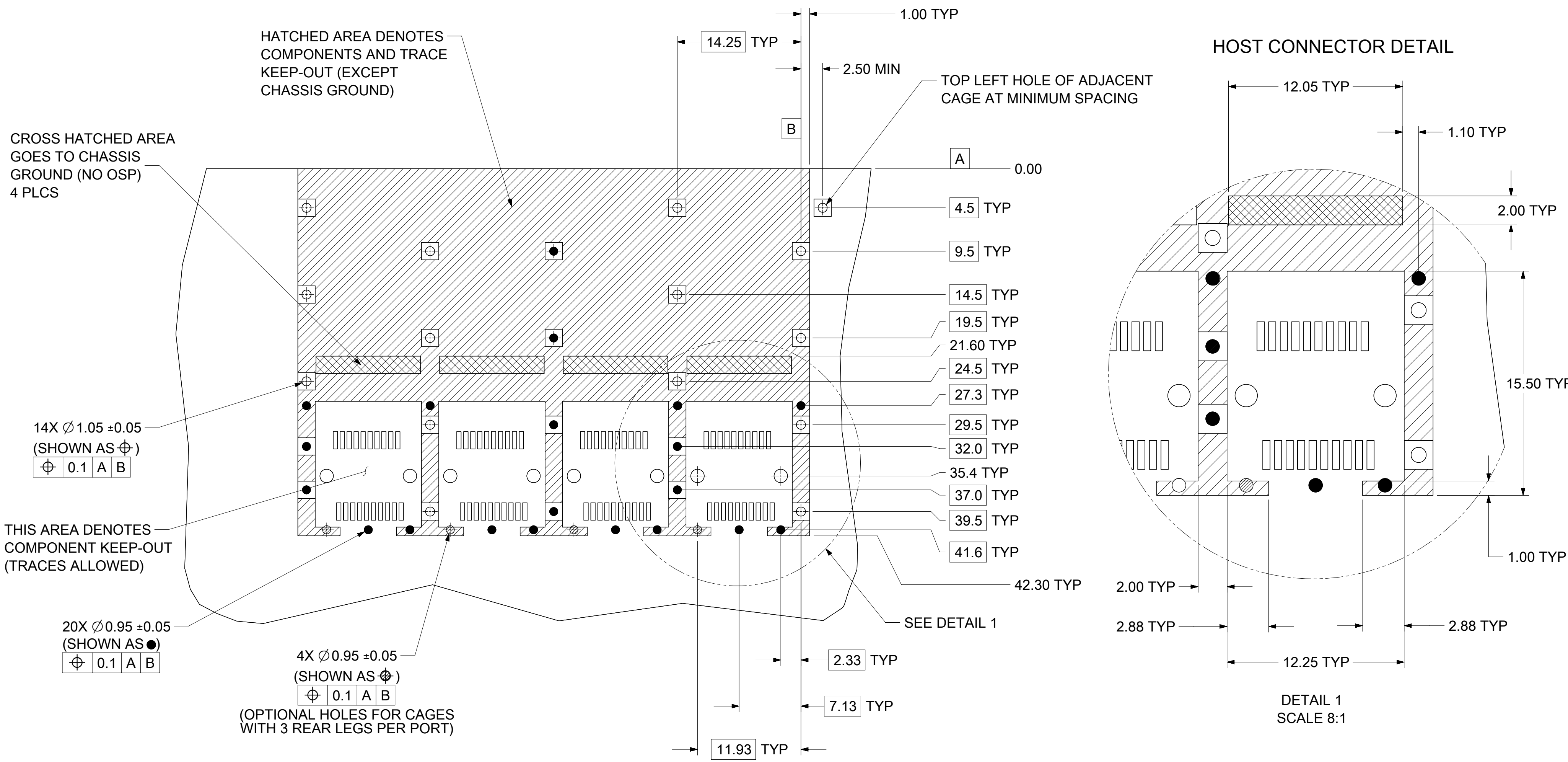
(15mm MAX PITCH BETWEEN ANY 2 WELD POINTS)

## REAR LEG OPTIONS (PER PORT)

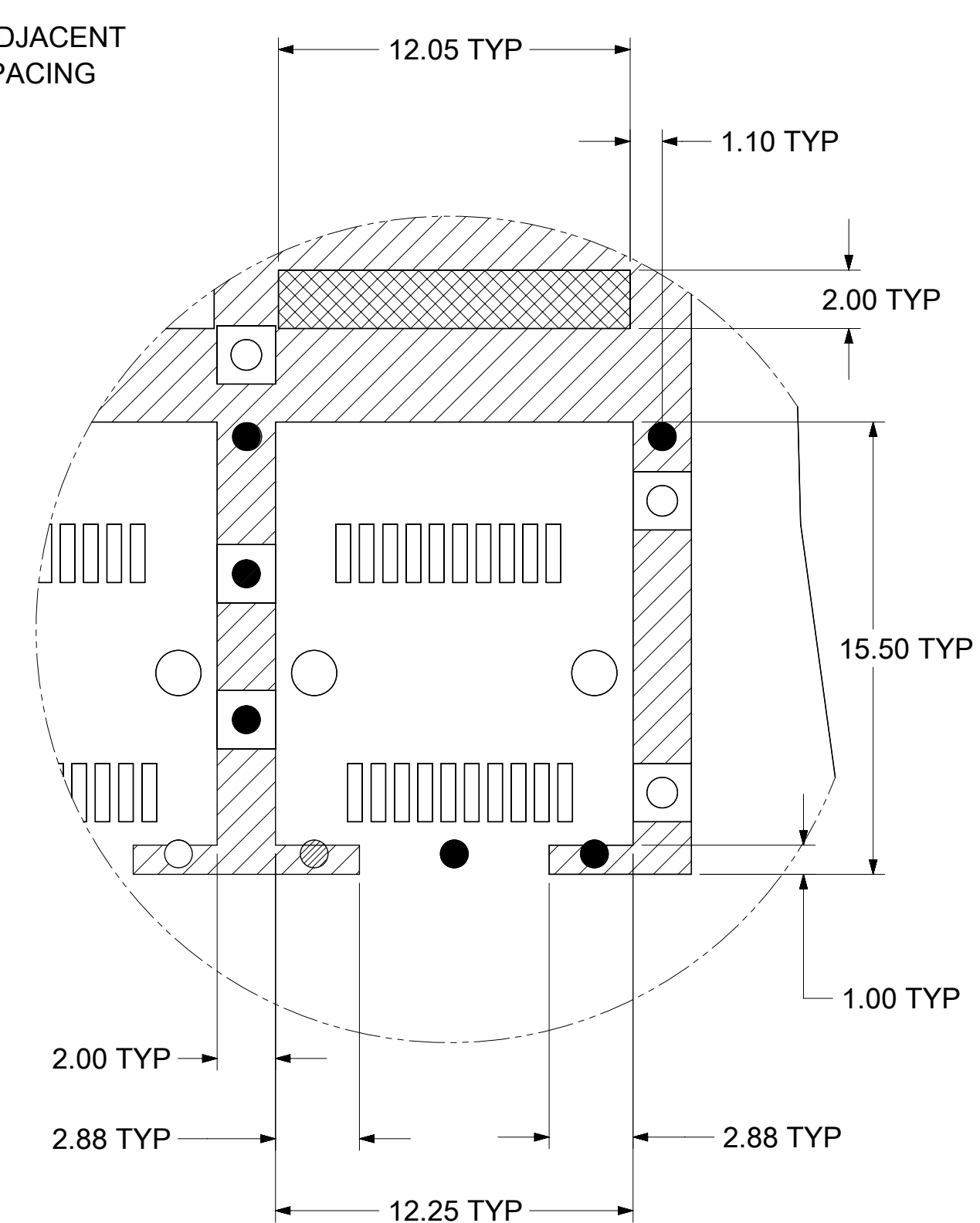


FUNCTIONAL SYMBOLS	THIS DRAWING CONTAINS INFORMATION THAT IS PROPRIETARY TO MOLEX ELECTRONIC TECHNOLOGIES, LLC AND SHOULD NOT BE USED WITHOUT WRITTEN PERMISSION			
	DIMENSION UNITS	SCALE	CURRENT REV DESC: SEE REVISION TABLE	
$\frac{F}{A} = 0$	mm	4:3	<p>EC NO: 706897 DRWN: ABHILT2 2022/05/04 CHK'D: TKUMARKC 2022/05/16 APPR: SCHIEN 2022/05/19</p> <p>INITIAL REVISION: DRWN: ABHILT2 2022/05/04 APPR: SCHIEN 2022/05/19</p>	
$\frac{E}{C} = 0$	GENERAL TOLERANCES (UNLESS SPECIFIED)			
$\frac{E}{P} = 0$	ANGULAR TOL $\pm 1.0^\circ$			
DIVISIONAL SYMBOLS	4 PLACES	$\pm$	PRODUCT CUSTOMER DRAWING	
	3 PLACES	$\pm$	DOCUMENT NUMBER	
	2 PLACES	$\pm 0.15$	1111128320	
	1 PLACE	$\pm 0.25$	DOC TYPE	DOC PART
	0 PLACES	$\pm$	PSD	ASY
	DRAFT WHERE APPLICABLE MUST REMAIN WITHIN DIMENSIONS		MATERIAL NUMBER	REVISION
	THIRD ANGLE PROJECTION		SEE SHEET 3	A
	DRAWING	SERIES	CUSTOMER	SHEET NUMBER
	C-SIZE	111112		3 OF 7

# PCB LAYOUT FOR SINGLE SIDE MOUNT



## HOST CONNECTOR DETAIL

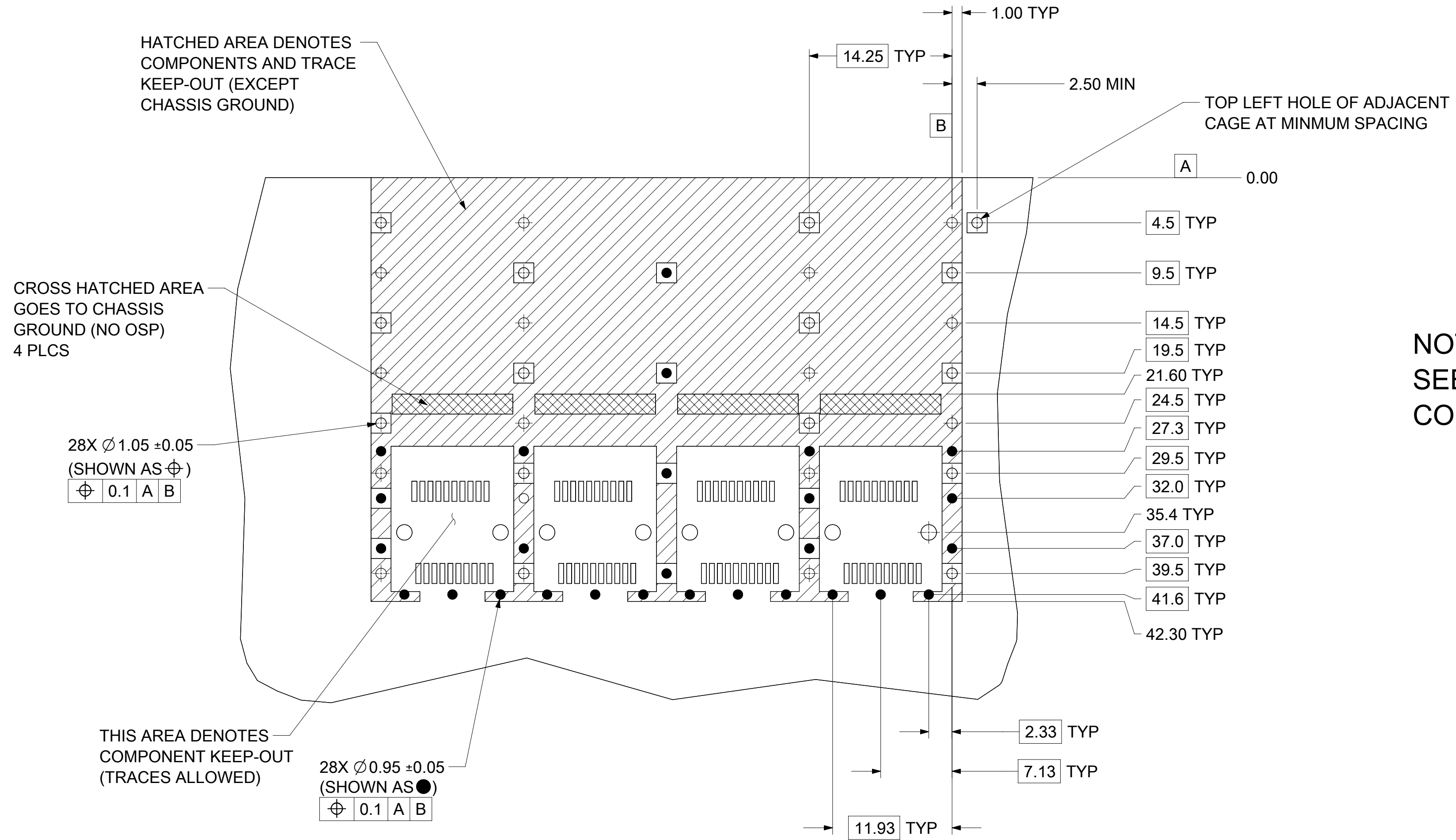


DETAIL 1  
SCALE 8:1

- NOTES:
- PADS AND VIAS CONNECT TO CHASSIS GROUND (RECOMMENDED PADS TO BE 2.00mm SQUARE)
  - RECOMMENDED THRU HOLE PLATING INCLUDES HASL, OSP, OR IMMERSION (GOLD, SILVER, OR TIN)
  - CONNECTOR PAD LAYOUT PER SFP+ MSA WILL ACCOMMODATE MOLEX CONNECTOR SERIES 74441 OR EQUIVALENT
  - HOLE PATTERN REPEATS FOR EACH PORT, SPACING BETWEEN PORTS IS 14.25mm
  - MINIMUM PCB THICKNESS FOR SINGLE SIDED USE 1.57mm.

FUNCTIONAL SYMBOLS	THIS DRAWING CONTAINS INFORMATION THAT IS PROPRIETARY TO MOLEX ELECTRONIC TECHNOLOGIES, LLC AND SHOULD NOT BE USED WITHOUT WRITTEN PERMISSION		CURRENT REV DESC: SEE REVISION TABLE		
	DIMENSION UNITS	SCALE			
$\overline{A} = 0$	mm	3:1			SFP+ 1X4 SF CAGE ASSY'S PRESS FIT, HEAT SINKS, WITH SUS EMI SPRING FINGERS
$\overline{C} = 0$	GENERAL TOLERANCES (UNLESS SPECIFIED)				
$\overline{P} = 0$	ANGULAR TOL ± 1.0°				PRODUCT CUSTOMER DRAWING
DIVISIONAL SYMBOLS	4 PLACES	±	EC NO: 706897	2022/05/04	
	3 PLACES	±	DRWN: ABHILT2	2022/05/16	
	2 PLACES	± 0.15	CHK'D: TKUMARKC	2022/05/19	
	1 PLACE	± 0.25	APPR: SCHIEN		
	0 PLACES	±	INITIAL REVISION:		
	DRAFT WHERE APPLICABLE MUST REMAIN WITHIN DIMENSIONS		DRWN: ABHILT2	2022/05/04	DOCUMENT NUMBER
	THIRD ANGLE PROJECTION		APPR: SCHIEN	2022/05/19	1111128320
	DRAWING		SERIES	MATERIAL NUMBER	CUSTOMER
	C-SIZE		111112	SEE SHEET 3	
					DOC TYPE DOC PART REVISION
					PSD ASY A
					SHEET NUMBER
					4 OF 7

# PCB LAYOUT FOR BELLY TO BELLY MOUNTING

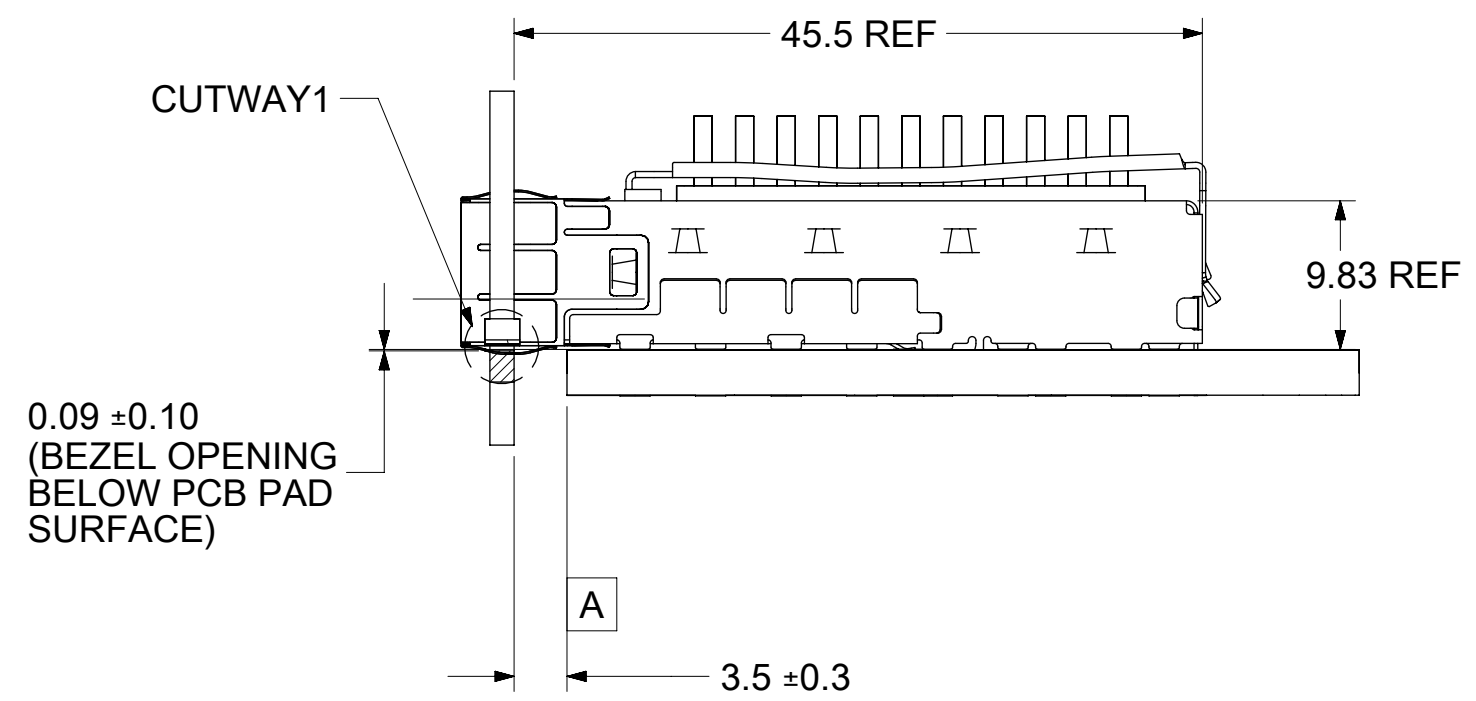
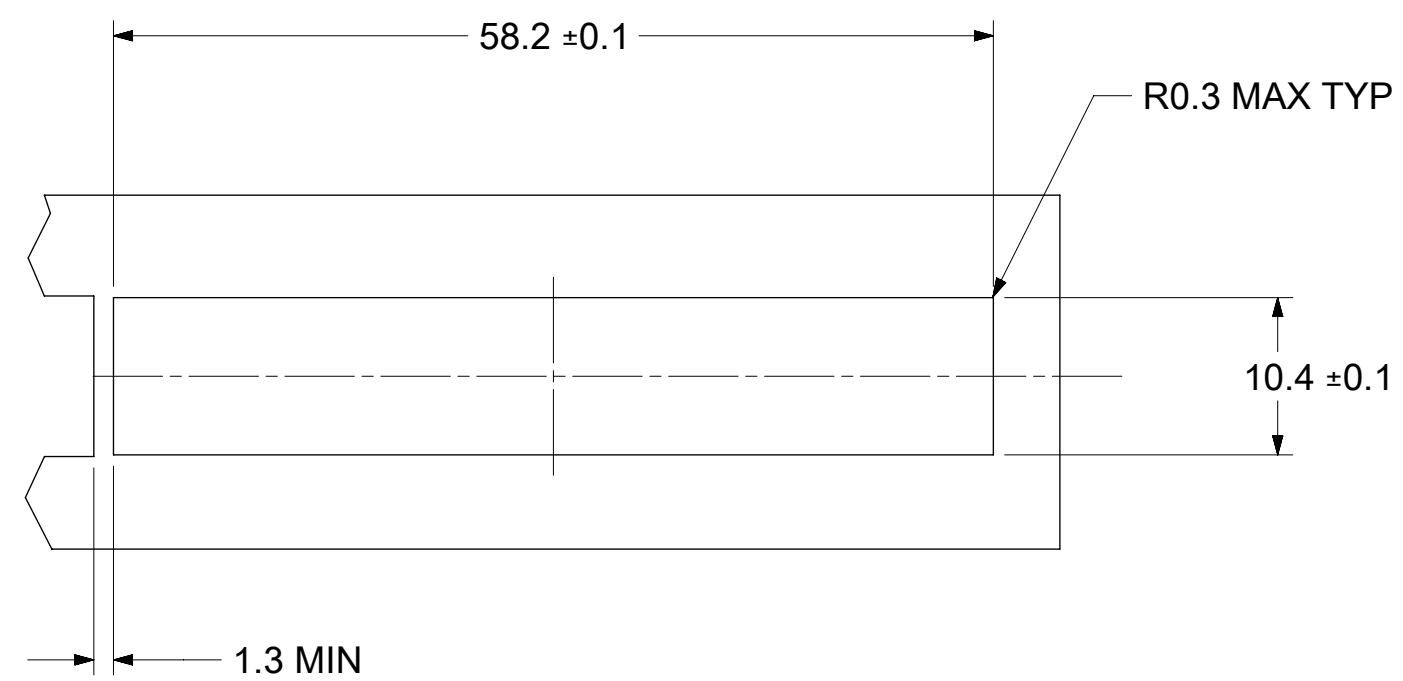


**NOTE:**  
SEE SHEET 4 FOR HOST  
CONNECTOR DETAIL

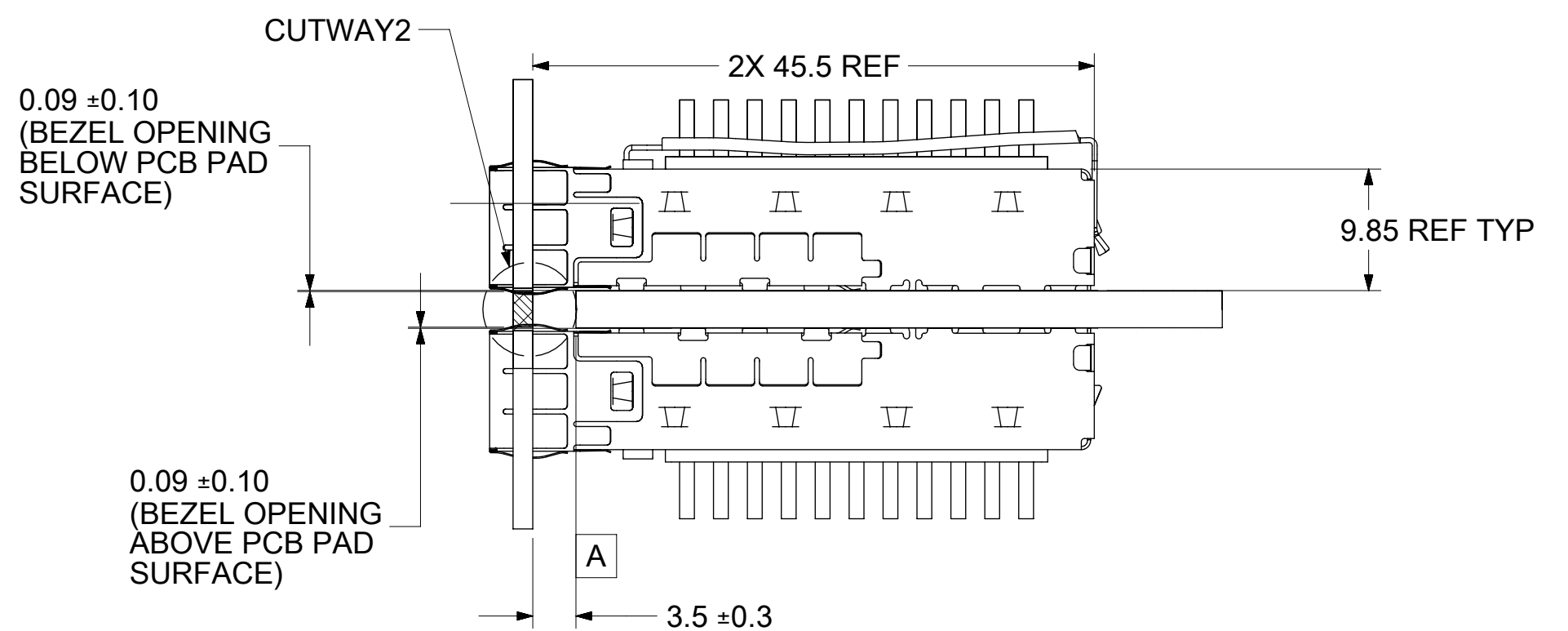
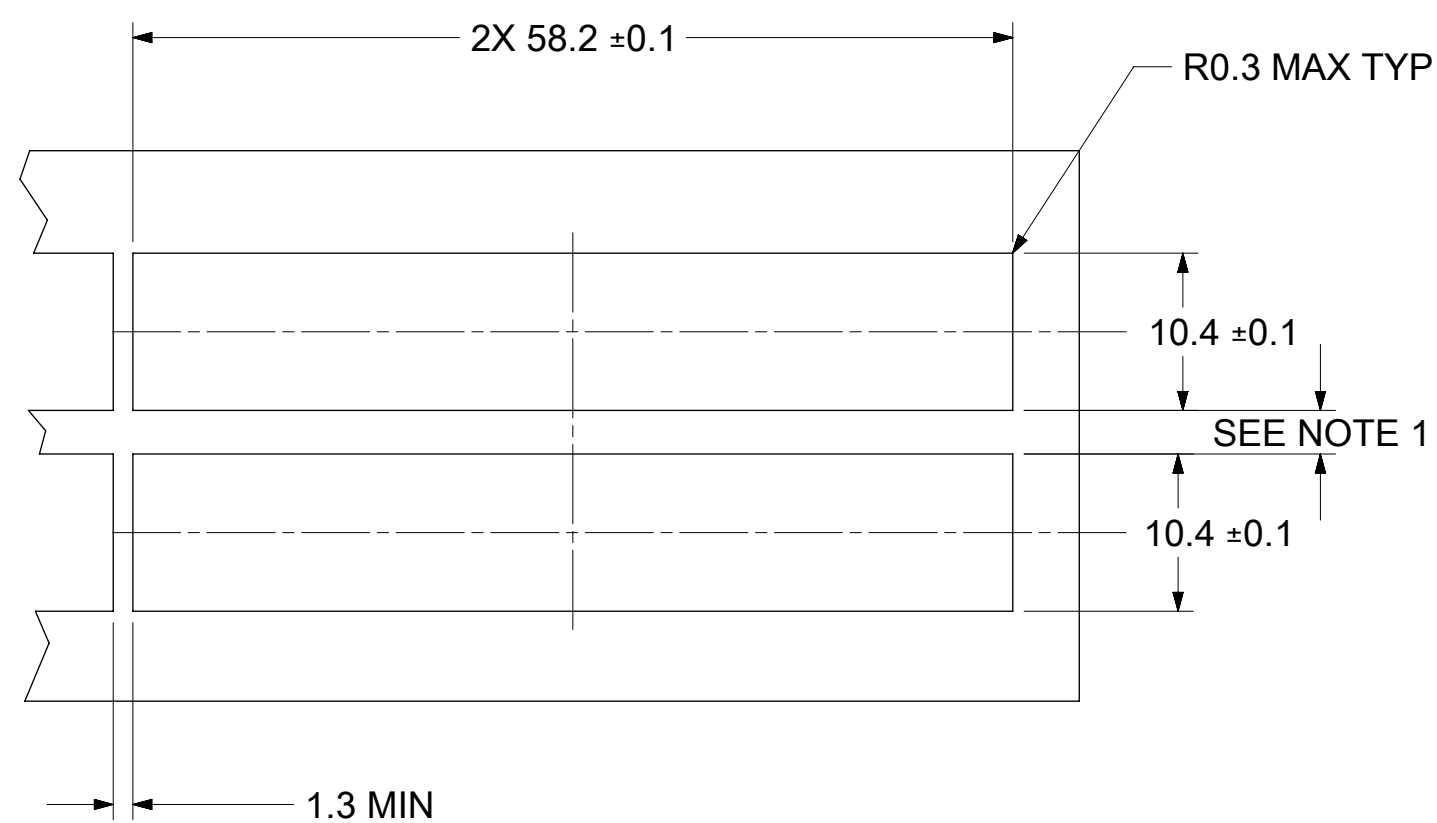
- NOTES:**
1. PADS AND VIAS CONNECT TO CHASSIS GROUND (RECOMMENDED PADS TO BE 2.00mm SQUARE)
  2. RECOMMENDED THRU HOLE PLATING INCLUDES HASL, OSP, OR IMMERSION (GOLD, SILVER, OR TIN)
  3. CONNECTOR PAD LAYOUT PER SFP+ MSA WILL ACCOMMODATE MOLEX CONNECTOR SERIES 74441 OR EQUIVALENT
  4. HOLE PATTERN REPEATS FOR EACH PORT, SPACING BETWEEN PORTS IS 14.25mm
  5. MINIMUM PCB THICKNESS FOR BELLY TO BELLY USE 3.00mm.

FUNCTIONAL SYMBOLS	THIS DRAWING CONTAINS INFORMATION THAT IS PROPRIETARY TO MOLEX ELECTRONIC TECHNOLOGIES, LLC AND SHOULD NOT BE USED WITHOUT WRITTEN PERMISSION		CURRENT REV DESC: SEE REVISION TABLE		<b>molex</b>
	DIMENSION UNITS	SCALE			
$\frac{F}{A} = 0$	mm	3:1			SFP+ 1X4 SF CAGE ASSY'S PRESS FIT, HEAT SINKS, WITH SUS EMI SPRING FINGERS
$\frac{F}{C} = 0$	GENERAL TOLERANCES (UNLESS SPECIFIED)				
$\frac{F}{P} = 0$	ANGULAR TOL ± 1.0°				PRODUCT CUSTOMER DRAWING
DIVISIONAL SYMBOLS	4 PLACES	±	EC NO: 706897		
	3 PLACES	±	DRWN: ABHILT2 2022/05/04		
	2 PLACES	± 0.15	CHK'D: TKUMARKC 2022/05/16		
	1 PLACE	± 0.25	APPR: SCHIEN 2022/05/19		
	0 PLACES	±	INITIAL REVISION:		
	DRAFT WHERE APPLICABLE MUST REMAIN WITHIN DIMENSIONS		DRWN: ABHILT2 2022/05/04		DOCUMENT NUMBER
	THIRD ANGLE PROJECTION		APPR: SCHIEN 2022/05/19		1111128320
	DRAWING		SERIES		DOC TYPE
	C-SIZE		111112		PSD
	MATERIAL NUMBER		CUSTOMER		ASY
	SEE SHEET 3				A
	SHEET NUMBER				5 OF 7

## BEZEL AND BOARD POSITION DIMENSIONS FOR SINGLE SIDE MOUNTING (SPRING FINGER)



## BEZEL AND BOARD POSITION DIMENSIONS FOR BELLY TO BELLY MOUNTING (SPRING FINGER)



**NOTE:**  
 1. PCB THICKNESS VARIATION MUST BE CONSIDERED WHEN DETERMINING BEZEL OPENING LOCATION.  
 2. CAGE LEG STANDOFF WILL PIERCE BELLY GASKET WHEN PROPERLY PRESSED INTO PCB.

<b>FUNCTIONAL SYMBOLS</b>	THIS DRAWING CONTAINS INFORMATION THAT IS PROPRIETARY TO MOLEX ELECTRONIC TECHNOLOGIES, LLC AND SHOULD NOT BE USED WITHOUT WRITTEN PERMISSION										
$\frac{E}{A} = 0$	DIMENSION UNITS	SCALE	CURRENT REV DESC: SEE REVISION TABLE								
$\frac{E}{C} = 0$	mm	2:1	<b>molex</b>								
$\frac{E}{P} = 0$	GENERAL TOLERANCES (UNLESS SPECIFIED)										
<b>DIVISIONAL SYMBOLS</b>	ANGULAR TOL	± 1.0°	EC NO: 706897		2022/05/04		SFP+ 1X4 SF CAGE ASSY'S PRESS FIT, HEAT SINKS, WITH SUS EMI SPRING FINGERS				
	4 PLACES	±	DRWN: ABHILT2		2022/05/16						
	3 PLACES	±	CHK'D: TKUMARKC		2022/05/19		PRODUCT CUSTOMER DRAWING				
	2 PLACES	± 0.15	APPR: SCHIEN				DOCUMENT NUMBER		DOC TYPE	DOC PART	REVISION
	1 PLACE	± 0.25	INITIAL REVISION:				111128320		PSD	ASY	A
	0 PLACES	±	DRWN: ABHILT2		2022/05/04		MATERIAL NUMBER		CUSTOMER		SHEET NUMBER
	DRAFT WHERE APPLICABLE MUST REMAIN WITHIN DIMENSIONS		THIRD ANGLE PROJECTION		DRAWING	SERIES	SEE SHEET 3				6 OF 7
					C-SIZE	111112					

H

G

F

E

D

C

B

A

REV	DATE	DESCRIPTION
A	2022/05/04	INITIAL RELEASE

<b>FUNCTIONAL SYMBOLS</b> FA = 0 FC = 0 FP = 0 <b>DIVISIONAL SYMBOLS</b> 3 PLACES ± 2 PLACES ± 0.15 1 PLACE ± 0.25 0 PLACES ± DRAFT WHERE APPLICABLE MUST REMAIN WITHIN DIMENSIONS	THIS DRAWING CONTAINS INFORMATION THAT IS PROPRIETARY TO MOLEX ELECTRONIC TECHNOLOGIES, LLC AND SHOULD NOT BE USED WITHOUT WRITTEN PERMISSION		DIMENSION UNITS: <b>mm</b> SCALE: <b>1:1</b>		CURRENT REV DESC: SEE REVISION TABLE						
	GENERAL TOLERANCES (UNLESS SPECIFIED) ANGULAR TOL ± 1.0°		EC NO: 706897 DRWN: ABHILT2 2022/05/04 CHK'D: TKUMARKC 2022/05/16 APPR: SCHIEN 2022/05/19		INITIAL REVISION: DRWN: ABHILT2 2022/05/04 APPR: SCHIEN 2022/05/19						SFP+ 1X4 SF CAGE ASSY'S PRESS FIT, HEAT SINKS, WITH SUS EMI SPRING FINGERS
PRODUCT CUSTOMER DRAWING							DOCUMENT NUMBER: <b>111128320</b>		DOC TYPE: PSD	DOC PART: ASY	REVISION: <b>A</b>
DRAFT WHERE APPLICABLE MUST REMAIN WITHIN DIMENSIONS		THIRD ANGLE PROJECTION		DRAWING: <b>C-SIZE</b>	SERIES: <b>111112</b>	MATERIAL NUMBER: SEE SHEET 3		CUSTOMER:		SHEET NUMBER: 7 OF 7	