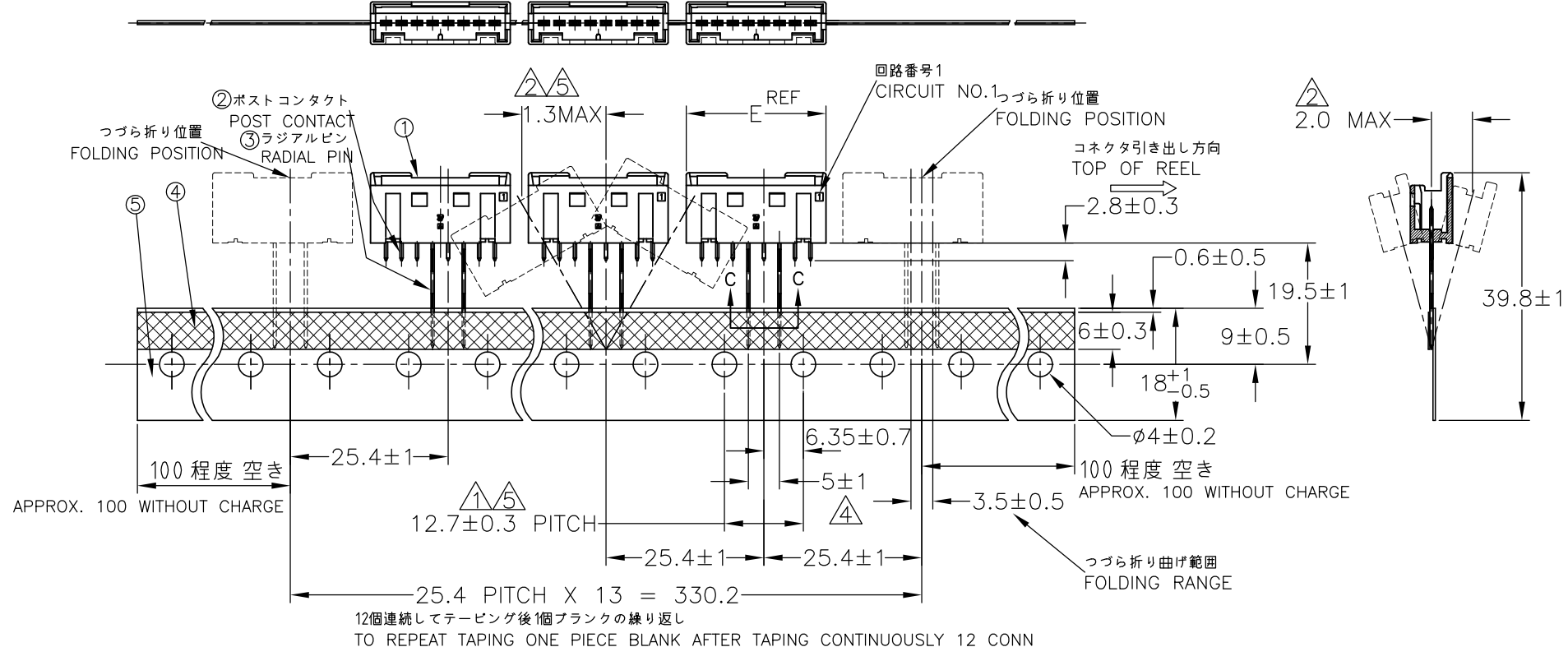


THIS DRAWING IS UNPUBLISHED. RELEASED FOR PUBLICATION JUN, 2004.
 © COPYRIGHT 2004 BY TYCO ELECTRONICS CORPORATION. ALL INTERNATIONAL RIGHTS RESERVED.

LOC		DIST		REVISIONS		
J		/		変更	DATE	DWN
P	LTR	DESCRIPTION			DATE	DWN
	C1	REVISED	ECR-10-019260	14SEP2010	T.T	T.M

テーピング仕様 B: 4極以上
 TAPING STYLE B: 4POS AND MORE

-1747072-; AS SHOWN



- ① 累積ピッチ公差は20ピッチで±1.0mmとする
 - ② 測定位置はポスト先端中心とする
 - ③ 貼り付けテープは台紙からはみ出さないこと
 - ④ 測定位置はテーピングの上端位置とし、リード線の中心線との間隔とする
 - ⑤ 12.7 PITCH寸法の中心値を基準とする
 - 6. かん合相手製品型番: 表参照のこと。(SHEET 2)
 - ⑦ 適用基板穴径: φA
 パンチ加工穴: 0.7^{+0.1}
 ドリル加工穴: 0.9±0.05
- △ ACCUMLATING TOLERANCE: ±1.0mm/20 PITCH
 △ MESURING POINT: AT TOP OF POST
 △ TAPE MUST NOT PROTRUDE FROM BACKING PAPER
 △ MESURING POINT, THE TOP OF TAPING AND THE CENTER LINE OF LEAD WIRE IN BETWEEN
 △ BE BASED ON THE CENTER 12.7mm PITCH DIMENSION
 6. MATING CONN. P/N: SEE TABLE (SHEET 2)
 △ APPLICABLE P.C.B. HOLE DIA: φA
 PUNCHED HOLE: 0.7^{+0.1}
 DRILLED HOLE: 0.9±0.05

テーピング仕様 A: 2極、3極
 TAPING STYLE A: 2POS, 3POS

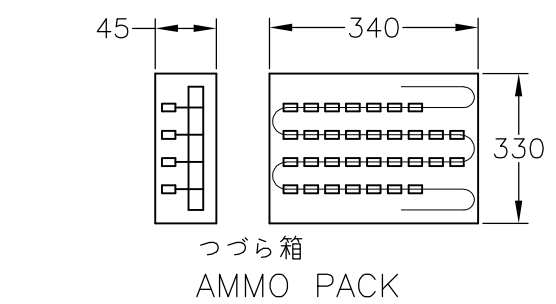
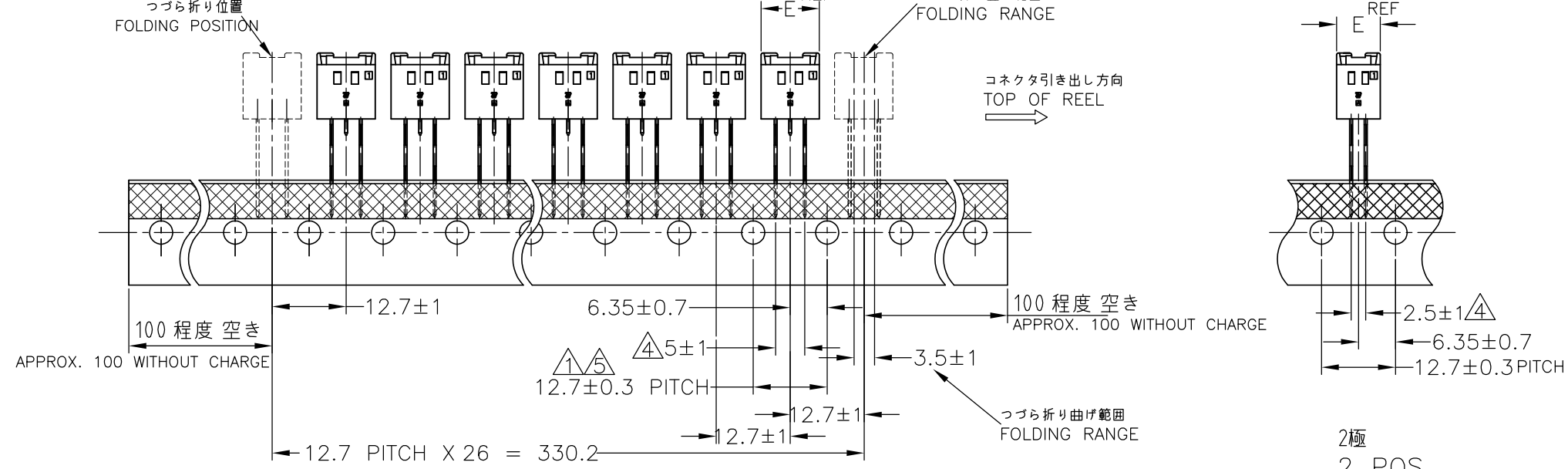
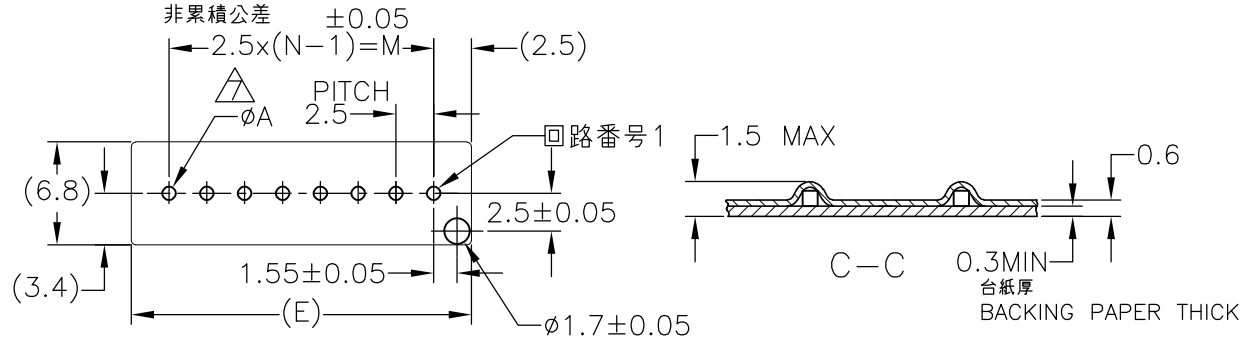


TABLE 1

NO. 項番	NAME 名称	MATERIAL 材料
①	HDR HOUSING ヘッダーハウジング	66NYLON GF UL94V-0 66ナイロン・ガラス強化 UL94V-0
②	POST CONTACT ポストコンタクト	BRASS, FINISH: Contact Point Au, Tine Tin, OVIER Ni
③	RADIAL PIN ラジアルピン	黄銅下地: Niめっき、 仕上: 接触部金めっき、タイン部錫めっき
④	RADIAL TAPE ラジアルテープ	THERMAL PAPER 感熱紙
⑤	BACKING PAPER 台紙	CRAFT PAPER クラフト紙

基板取付穴寸法 2P~8P
 P.C.B. MOUNTING LAYOUT



THIS DRAWING IS A CONTROLLED DOCUMENT.

DWN	T.HATANO	09JUN2004
CHK	A.OISHI	09JUN2004
APVD	N.YAMASAKI	09JUN2004

PRODUCT SPEC
 製品規格
 108-5992

APPLICATION SPEC
 取付適用規格
 114-5359

MATERIAL 材料
 SEE TABLE 1

FINISH 仕上

Tyco Electronics
 Tyco Electronics Corporation
 Kawasaki, Japan

NAME 名称
 GRACE INERTIA CONNECTOR 2.5 ON TAPE HDR

SIZE
 A3

CAGE CODE
 00779

DRAWING NO 番号
 C-1747072

RESTRICTED TO

CUSTOMER DRAWING

SCALE 尺度
 1:1

SHEET
 1 OF 2

REV
 C1

THIS DRAWING IS UNPUBLISHED. RELEASED FOR PUBLICATION JUN ,2004.
 © COPYRIGHT 2004 BY TYCO ELECTRONICS CORPORATION. ALL INTERNATIONAL RIGHTS RESERVED.

LOC	DIST	REVISIONS		
J	/	P	LTR	DESCRIPTION
				DATE
				DWN
				APVD
				SEE SHEET 1

MATING CONN P/N	回路 NO. CIRCUIT NO.								備考 REMARKS	ハウジング HSG POS.	テーピング 仕様 TAPING STYLE	数量 QTY	M	N	E	ボス BOSS	色 COLOR	版数 POS	ピッチ PITCH	型番 P/N
	8	7	6	5	4	3	2	1												
X-1747066-5	[Cross-hatched]								* — ○ — ○	5	B	450	10	5	15.0	WITHOUT	BLUE	3	5	7-1747511-1
	[Cross-hatched]								* — ○ — ○	5	B	450	10	5	15.0	WITHOUT	NATURAL	3	5	5-1747511-1
X-1747066-8	[Cross-hatched]								* * * ○ * ○ * *	8	B	450	17.5	8	22.5	WITHOUT	YELLOW	8	2.5	8-1747072-8
	[Cross-hatched]								* * * ○ * ○ * *	8	B	450	17.5	8	22.5	▲	BLUE	8	▲	7-1747072-8
	[Cross-hatched]								* * * ○ * ○ * *	8	B	450	17.5	8	22.5		RED	8		6-1747072-8
	[Cross-hatched]								* * * ○ * ○ * *	8	B	450	17.5	8	22.5		NATURAL	8		5-1747072-8
X-1747066-7	[Cross-hatched]								* * * ○ * ○ * *	7	B	450	15	7	20.0		YELLOW	7		8-1747072-7
	[Cross-hatched]								* * * ○ * ○ * *	7	B	450	15	7	20.0		BLUE	7		7-1747072-7
	[Cross-hatched]								* * * ○ * ○ * *	7	B	450	15	7	20.0		RED	7		6-1747072-7
	[Cross-hatched]								* * * ○ * ○ * *	7	B	450	15	7	20.0		NATURAL	7		5-1747072-7
X-1747066-6	[Cross-hatched]								* * * ○ * ○ * *	6	B	450	12.5	6	17.5		YELLOW	6		8-1747072-6
	[Cross-hatched]								* * * ○ * ○ * *	6	B	450	12.5	6	17.5		BLUE	6		7-1747072-6
	[Cross-hatched]								* * * ○ * ○ * *	6	B	450	12.5	6	17.5		RED	6		6-1747072-6
	[Cross-hatched]								* * * ○ * ○ * *	6	B	450	12.5	6	17.5		NATURAL	6		5-1747072-6
X-1747066-5	[Cross-hatched]								* ○ * ○ *	5	B	450	10	5	15.0		YELLOW	5		8-1747072-5
	[Cross-hatched]								* ○ * ○ *	5	B	450	10	5	15.0		BLUE	5		7-1747072-5
	[Cross-hatched]								* ○ * ○ *	5	B	450	10	5	15.0		RED	5		6-1747072-5
	[Cross-hatched]								* ○ * ○ *	5	B	450	10	5	15.0		NATURAL	5		5-1747072-5
X-1747066-4	[Cross-hatched]								* ○ * ○ *	4	B	450	7.5	4	12.5		YELLOW	4		8-1747072-4
	[Cross-hatched]								* ○ * ○ *	4	B	450	7.5	4	12.5		BLUE	4		7-1747072-4
	[Cross-hatched]								* ○ * ○ *	4	B	450	7.5	4	12.5		RED	4		6-1747072-4
	[Cross-hatched]								* ○ * ○ *	4	B	450	7.5	4	12.5		NATURAL	4		5-1747072-4
X-1747066-3	[Cross-hatched]								○ * ○ *	3	A	900	5	3	10.0		YELLOW	3		8-1747072-3
	[Cross-hatched]								○ * ○ *	3	A	900	5	3	10.0		BLUE	3		7-1747072-3
	[Cross-hatched]								○ * ○ *	3	A	900	5	3	10.0		RED	3		6-1747072-3
	[Cross-hatched]								○ * ○ *	3	A	900	5	3	10.0		NATURAL	3		5-1747072-3
X-1747066-2	[Cross-hatched]								○ ○	2	A	900	2.5	2	7.5		YELLOW	2		8-1747072-2
	[Cross-hatched]								○ ○	2	A	900	2.5	2	7.5		BLUE	2		7-1747072-2
	[Cross-hatched]								○ ○	2	A	900	2.5	2	7.5	▼	RED	2	▼	6-1747072-2
	[Cross-hatched]								○ ○	2	A	900	2.5	2	7.5	WITHOUT	NATURAL	2	2.5	5-1747072-2

ラジアルピン、ポストコンタクト位置
 ○：ラジアルピン、*：ポストコンタクト、
 -：ピン抜き
 RADIAL PIN, POST CONTACT POSITION
 ○: RADIAL PIN, *: POST CONTACT,
 -: VACANCY

THIS DRAWING IS A CONTROLLED DOCUMENT.

DIMENSIONS: 単位: 耗 mm	TOLERANCES UNLESS OTHERWISE SPECIFIED: 一般公差
	0 PLC ± - 1 PLC ± - 2 PLC ± - 3 PLC ± - 4 PLC ± - ANGLES ± -
MATERIAL 材料	FINISH 仕上

DWN T.HATANO 09JUN2004	Tyco Electronics Corporation Kawasaki, Japan
CHK A.OISHI 09JUN2004	
APVD N.YAMASAKI 09JUN2004	
NAME 名称 GRACE INERTIA CONNECTOR 2.5 ON TAPE HDR	
PRODUCT SPEC 製品規格 108-5992	SIZE CAGE CODE DRAWING NO 番号 A3 00779 G-1747072
APPLICATION SPEC 取付適用規格 114-5359	
WEIGHT	RESTRICTED TO
CUSTOMER DRAWING	SCALE 尺度 NTS SHEET 2 OF 2 REV C1