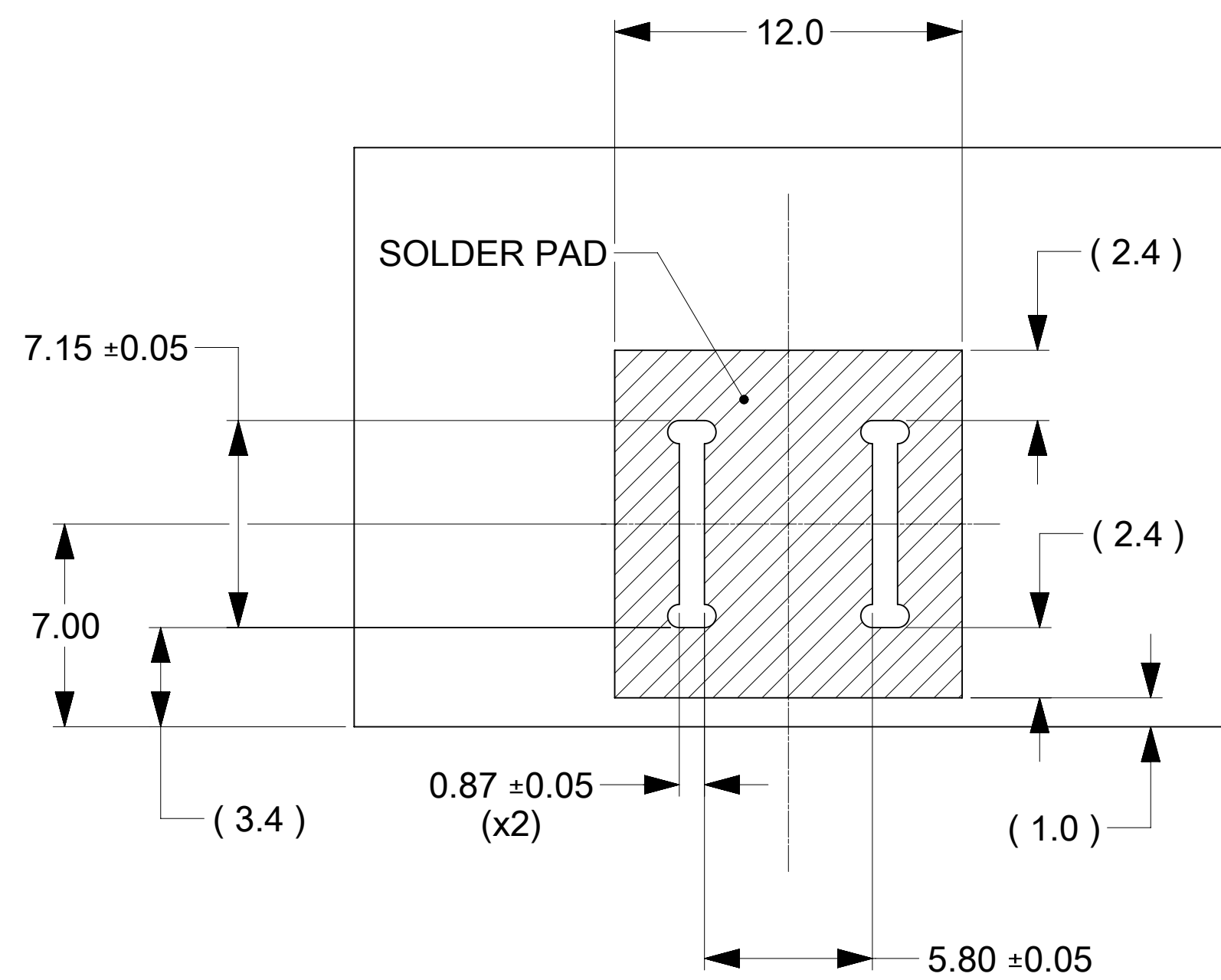
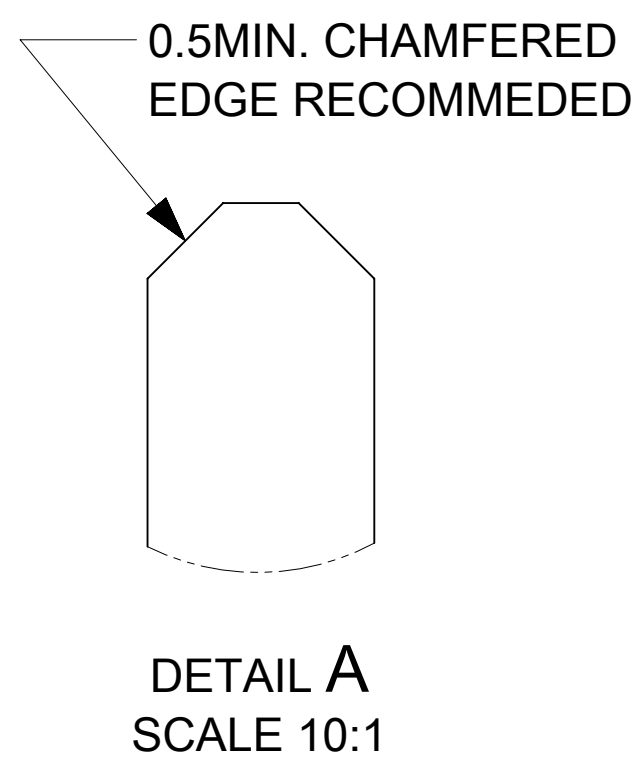


PCB, BUSBAR
IN THESE VIEWS ARE SHOWN FOR REFERENCE ONLY

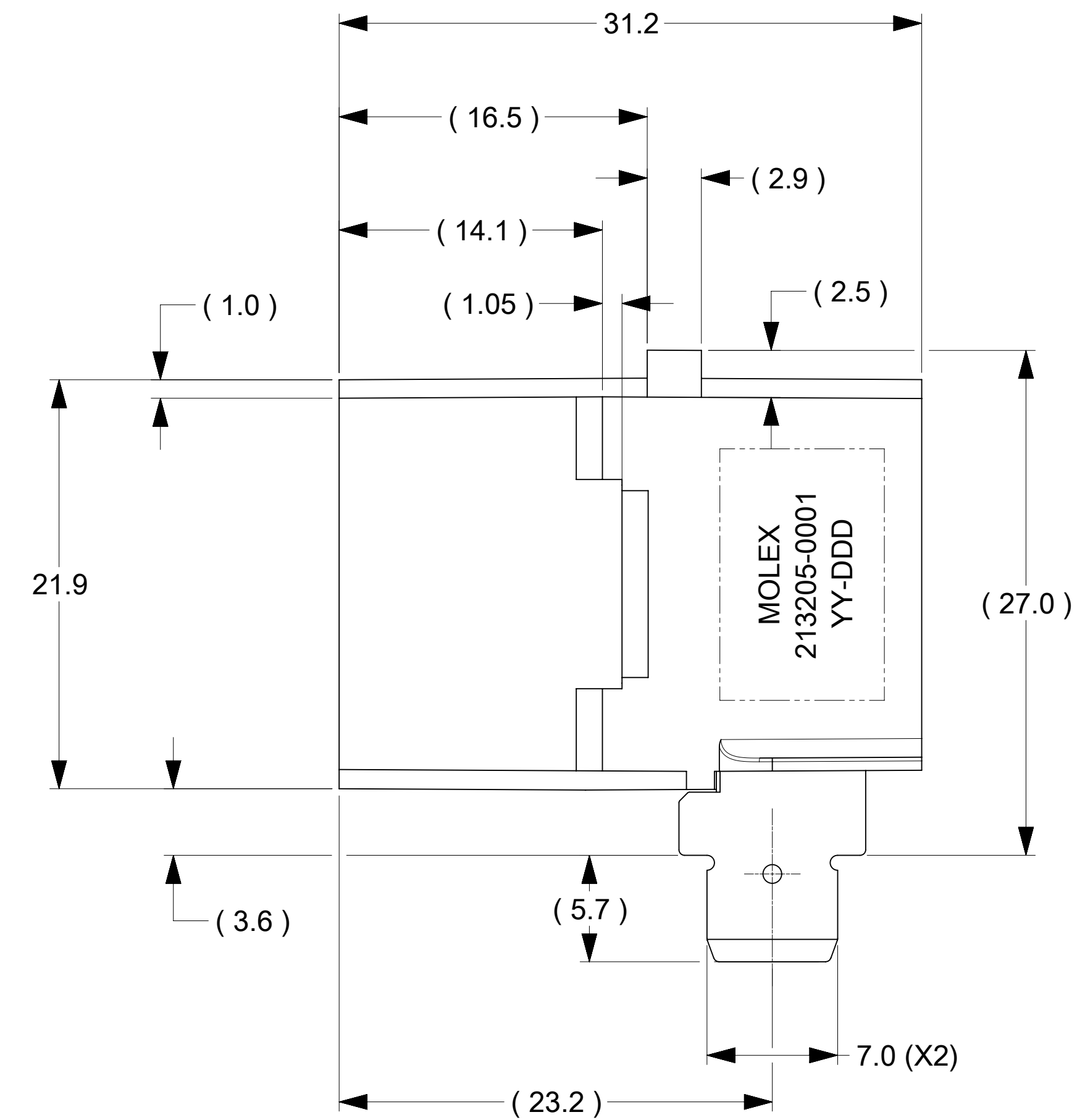
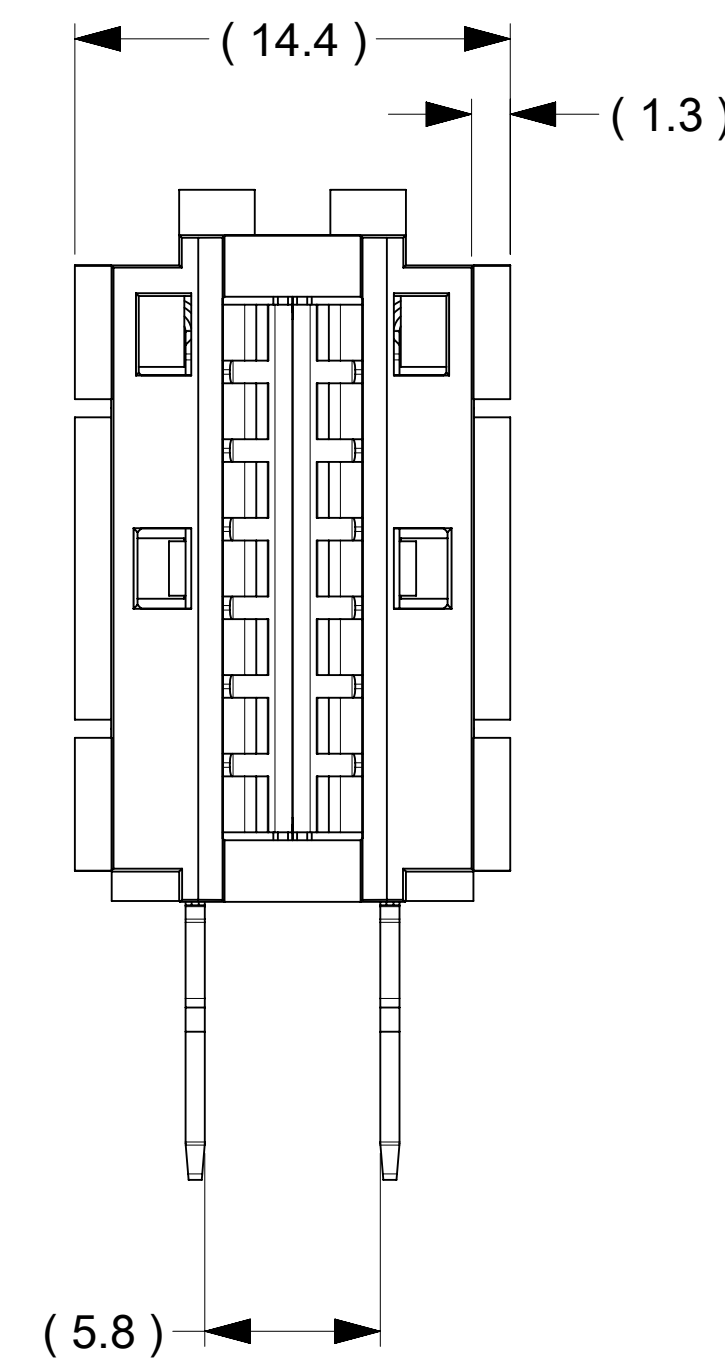


RECOMMENDED PCB LAYOUT
(THICKNESS 4.8mm MAX.)



NOTES:

- MATERIALS:
 - HOUSING BODY: POLYMER. UL94V-0; BLACK.
 - TERMINALS: COPPER ALLOY.
 - RIVET/CLIP: COPPER ALLOY.
- PLATING:
 - CONTACT AREAS: 3.18 MIN MICRON SILVER, OVER 1.27 MIN. MICRON NICKEL.
 - TAB AREAS: 3.18 MIN. MICRON TIN, OVER 1.27 MIN. MICRON NICKEL.
 - REST: 1.27 MIN. MICRON NICKEL OVERALL.
- LUBRICATION: LUBED IN CONTACT AREA.
- REFERENCE DOCUMENT: 2131910001-PS, 2131910001-AS
- MODULE ASSEMBLY IS RoHS COMPLIANT.
- FINAL ASSEMBLY TO BE PACKAGED AND LABELED PER PACKAGING DRAWING NUMBER 2132050001-PK.
- MATED BUSBAR SHOULD BE PLATED WITH SILVER OVER NICKEL.



THIS DRAWING CONTAINS INFORMATION THAT IS PROPRIETARY TO MOLEX ELECTRONIC TECHNOLOGIES, LLC AND SHOULD NOT BE USED WITHOUT WRITTEN PERMISSION									
SYMBOLS		DIMENSION UNITS		SCALE		CURRENT REV DESC:			
▽ = 0		mm		5:1		EC NO: 696673			
▽ = 0		GENERAL TOLERANCES (UNLESS SPECIFIED)				DRWN: TOMLU 2022/02/21			
▽ = 0		ANGULAR TOL ± °				CHK'D: BPISZCZOR 2022/02/21			
▽ = 0		4 PLACES ±				APPR: BPISZCZOR 2022/02/21			
▽ = 0		3 PLACES ±				INITIAL REVISION:			
▽ = 0		2 PLACES ± 0.15				DRWN: TOMLU 2020/02/08			
▽ = 0		1 PLACE ± 0.25				2021/03/23			
▽ = 0		0 PLACES ±				APPR: BPISZCZOR			
■ = 0		DRAFT WHERE APPLICABLE MUST REMAIN WITHIN DIMENSIONS		THIRD ANGLE PROJECTION		DRAWING		SERIES	
▽ = 0				D-SIZE		213205		MATERIAL NUMBER	
								2132050001	
								CUSTOMER	
								SHEET NUMBER	
								1 OF 1	

molex

POWER PLANE BBC 7C RIGHT ANGLE-TH

PRODUCT CUSTOMER DRAWING

DOCUMENT NUMBER	DOC TYPE	DOC PART	REVISION
2132050001-SD	PSD	000	A1