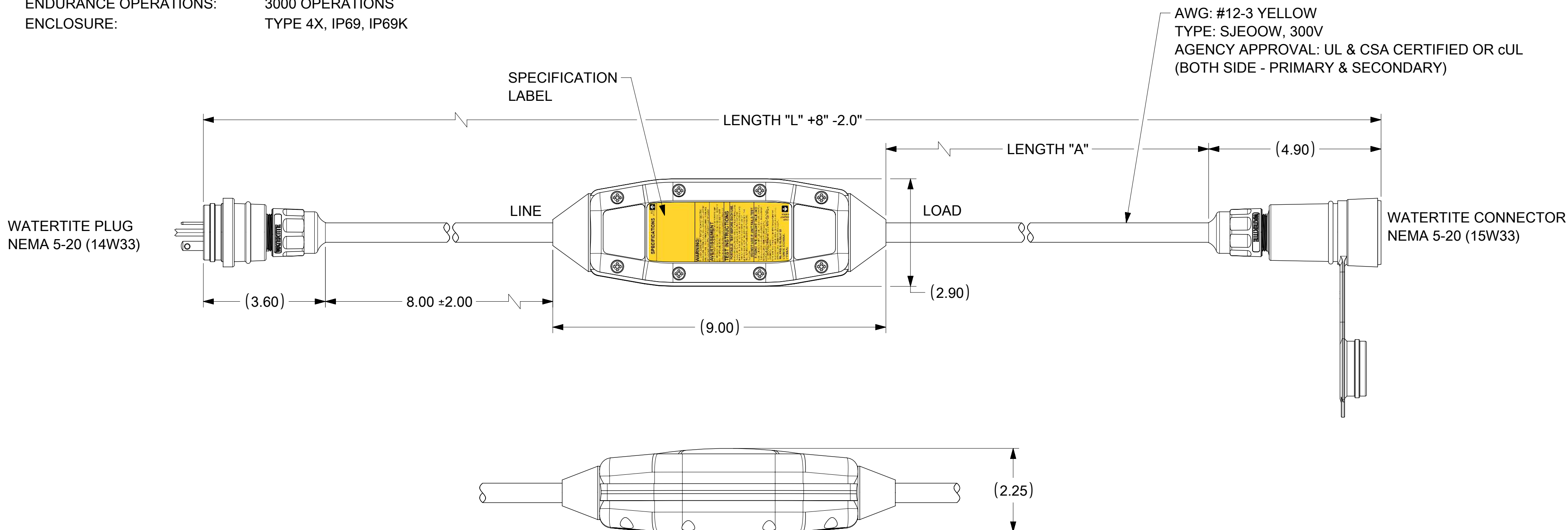
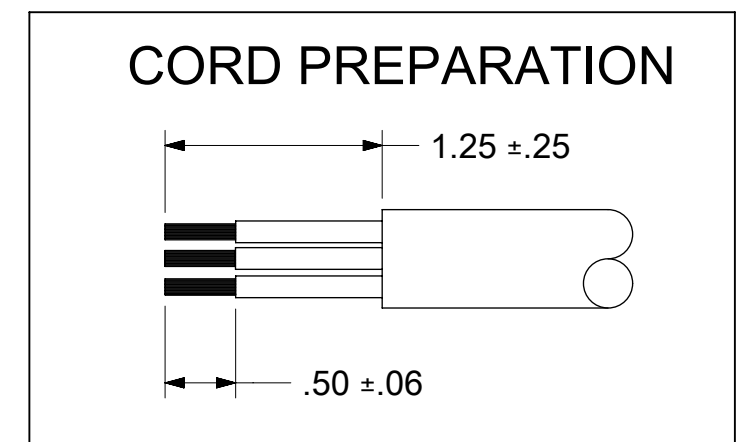


TECHNICAL

AGENCY APPROVAL: cULus
 RATED SUPPLY VOLTAGE: 120VAC
 RATED CURRENT: UP TO 20 AMPS
 RESET TYPE: SEE TABLE
 OPERATING FREQUENCY: 60 Hz
 TYPE: CLASS A
 GROUND TRIP CURRENT: 5mA +/- 1mA
 OVERLOAD CURRENT: 120 AMPS, 50% INDUCTIVE
 INSULATION VOLTAGE: 1,500 VRMS - 1 MINUTE
 ENDURANCE OPERATIONS: 3000 OPERATIONS
 ENCLOSURE: TYPE 4X, IP69, IP69K



MATERIAL NO.	ENGINEERING NO.	LENGTH "L"	LENGTH "A"	POWER-UP
1301530123	20052-1A	3.5 FT	1 FT ± 1 IN	AUTO
1301530132	20052-6A	8.5 FT	6 FT ± 1 IN	AUTO
1301530128	20052-25A	27.5 FT	25 FT ± 1 IN	AUTO
1301530126	20052-1M	3.5 FT	1 FT ± 1 IN	MANUAL
1301530134	20052-6M	8.5 FT	6 FT ± 1 IN	MANUAL
1301530130	20052-25M	27.5 FT	25 FT ± 1 IN	MANUAL

THIS DRAWING CONTAINS INFORMATION THAT IS PROPRIETARY TO MOLEX ELECTRONIC TECHNOLOGIES, LLC AND SHOULD NOT BE USED WITHOUT WRITTEN PERMISSION

FUNCTIONAL SYMBOLS: $\frac{F}{A} = 0$, $\frac{E}{C} = 0$, $\frac{E}{P} = 0$

DIVISIONAL SYMBOLS: 4 PLACES ±, 3 PLACES ±, 2 PLACES ±, 1 PLACE ±, 0 PLACES ±

GENERAL TOLERANCES (UNLESS SPECIFIED): ANGULAR TOL ± °

SCALE: INCH NTS

CURRENT REV DESC: REPLACED 20A INLINE GFCI

EC NO: 678993
 DRWN: VASUTHKARP 2021/09/07
 CHK'D: DNGUYEN62 2022/12/16
 APPR: HKNEELAND 2022/12/19

INITIAL REVISION:
 DRWN: MC 2005/12/06
 APPR:

molex

INLINE GFCI 20A, 120V
 W/ 14W33 & 15W33 WATERTITE NEMA 5-20

PRODUCT CUSTOMER DRAWING

DOCUMENT NUMBER: 1301530130
 DOC TYPE: PSD
 DOC PART: 000
 REVISION: B

DRAFT WHERE APPLICABLE MUST REMAIN WITHIN DIMENSIONS

THIRD ANGLE PROJECTION

DRAWING: C-SIZE
 SERIES: 130153

MATERIAL NUMBER: SEE TABLE
 CUSTOMER: GENERAL MARKET
 SHEET NUMBER: 1 OF 1