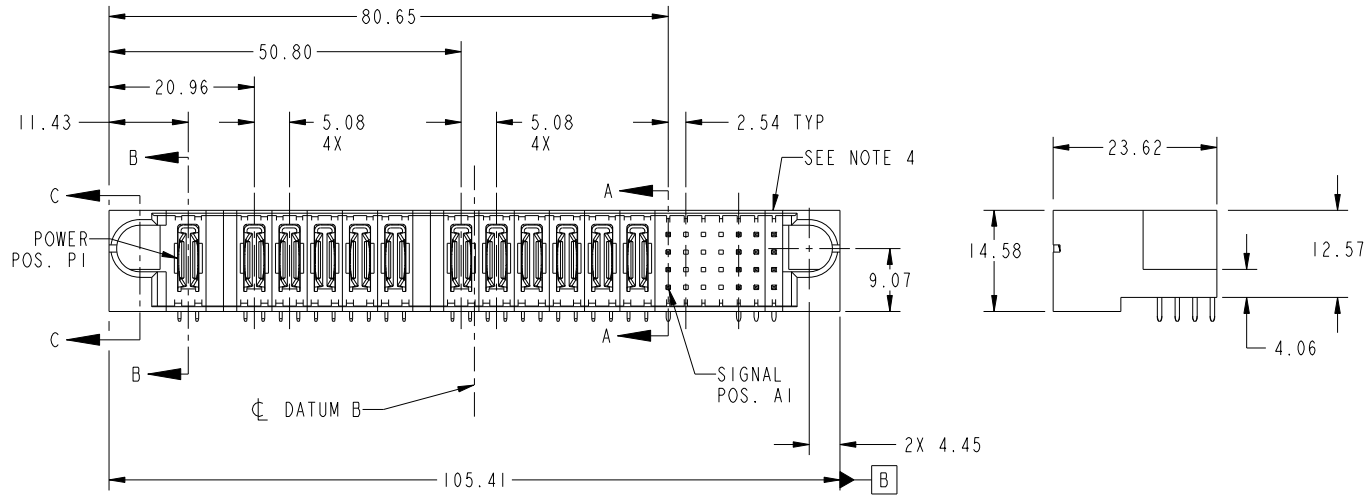


Tous droits strictement réservés. Reproduction ou communication a des tiers interdite sous quelque forme que ce soit sans autorisation écrite du propriétaire. Propriete de c FCI. Droits de reproduction FCI.

All rights strictly reserved. Reproduction or issue to third parties in any form whatever is not permitted without written authority from the proprietor. Property of FCI. Copyright FCI.



PRODUCT NO.	ROWS	POWER												SIGNAL									
		E1	P1	P2	P3	P4	P5	P6	P7	P8	P9	P10	P11	P12	1	2	3	4	5	6	7	E2	
51939-393... NOTE 3	D C B A	⌋		PA	PA	PA	PA	PA	PA	PA	PA	PA	PA	PA	U	X	X	X	U	U	U	U	⌋
		T	X	X	X	T	T	T	T	T	T	T	T	T	S	X	X	X	S	S	S	S	S
		R	X	X	X	R	R	R	R	R	R	R	R	R	R	R	X	X	X	R	R	R	R



CODE	DIM "M" MATING LENGTH	CONTACT TYPE
U	[6.86]	SIGNAL
T	[6.86]	SIGNAL
S	[6.86]	SIGNAL
R	[6.86]	SIGNAL
PA	[N/A]	POWER
X	OMITTED	

mat'l code				SEE NOTE		tolerances unless otherwise specified		CUSTOMER		FCI	
ltr	ecn no.	dr	date	linear	0.X ±0.5	projection	COPY		www.fciconnect.com		
A	DG09-0058	WD	03/02/09	angles	0.XX ±0.25		title		12P + 28S		
					0.XXX ±0.1		RIGHT ANGLE SOLDER HEADER				
				dr	0° ±2°	MIM		product family		PwrBlade	code
				enr	Warren Du 11/11/08	←		size		dwg no	213
				chr	Warren Du 11/11/08	→		A		51939-393	sheet
				app	Gary Hsieh 11/11/08	scale		1:1		1 of 4	
					JOSEPH HSIA 11/11/08						
sheet index	revision sheet	A	A	A	A						
		1	2	3	4						
								cage code		22526	

Pro/E

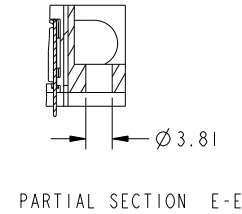
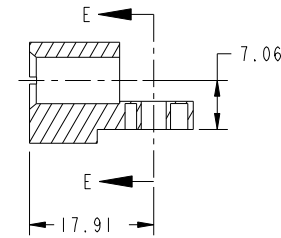
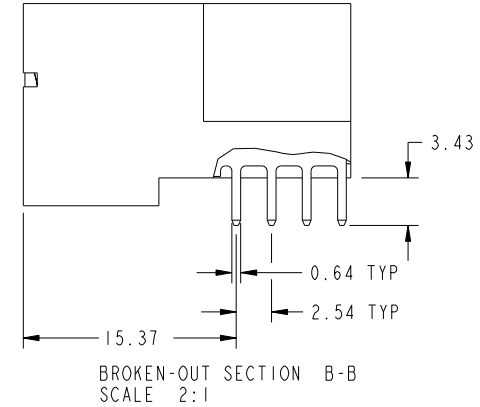
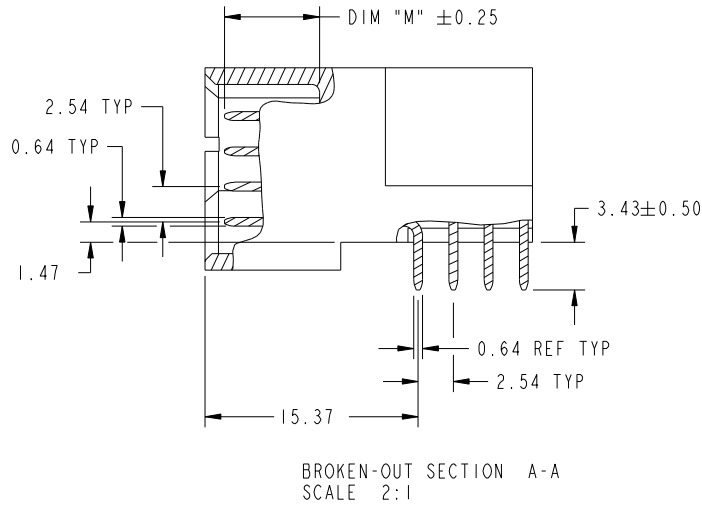
cage code 22526

Tous droits strictement reserves. Reproduction ou communication a des tiers interdite sous quelque forme que ce soit sans autorisation ecrite du proprietaire. Propriete de c FCI. Droits de reproduction FCI.

All rights strictly reserved. Reproduction or issue to third parties in any form whatever is not permitted without written authority from the proprietor. Property of FCI. Copyright FCI.



PRODUCT NUMBER  
51939-393\_  
NOTE: 3



mat'l code				SEE NOTE		tolerances unless otherwise specified		CUSTOMER		FCI	
ltr	ecn no.	dr	date	linear	0.X ±0.5	projection		COPY		www.fciconnect.com	
A					0.XX ±0.25	MIM		title		12P + 28S	
				angles	0.XXX ±0.1	1:1		product family		PwrBlade	
				dr	Warren Du 11/11/08			size		213	
				enr	Warren Du 11/11/08			dwg no		sheet	
				chr	Gary Hsieh 11/11/08			A		2 of 4	
				appd	JOSEPH HSIA 11/11/08			51939-393			
sheet index	revision sheet										

cage code 22526

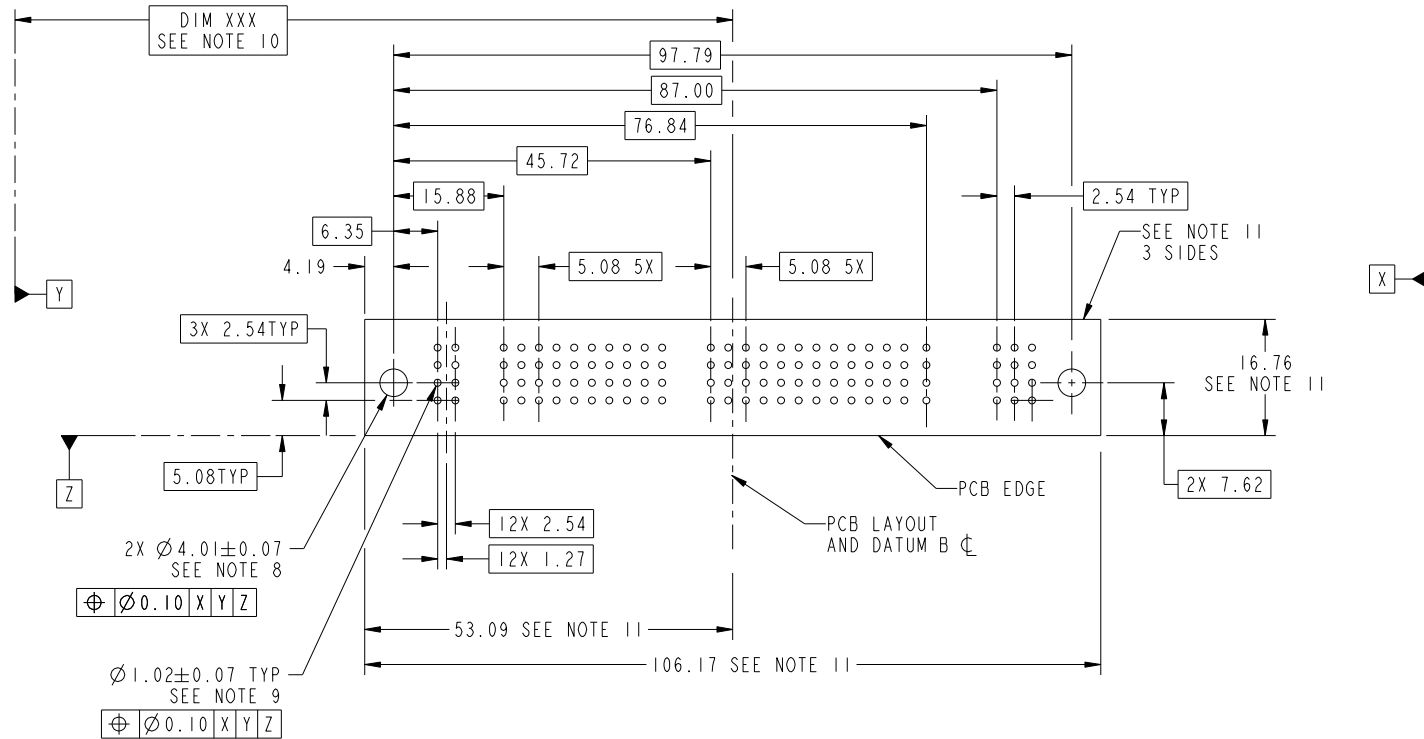
Pro/E

Tous droits strictement reserves. Reproduction ou communication a des tiers interdite sous quelque forme que ce soit sans autorisation écrite du propriétaire. Propriete de c FCI. Droits de reproduction FCI.



All rights strictly reserved. Reproduction or issue to third parties in any form whatever is not permitted without written authority from the proprietor. Property of FCI. Copyright FCI.

PRODUCT NUMBER  
51939-393\_\_  
NOTE: 3



RECOMMENDED PCB LAYOUT

mat'l code		SEE NOTE		tolerances unless otherwise specified		CUSTOMER		FCI	
ltr	ecn no.	dr	date	linear	0.X ± 0.5	COPY		www.fciconnect.com	
A					0.XX ± 0.25	projection		title	
				angles	0.XXX ± 0.1			12P + 28S RIGHT ANGLE SOLDER HEADER	
				dr	0° ± 2°	MIM		product family	PwrBlade
				enr	Warren Du 11/11/08	scale		size	code
				chr	Warren Du 11/11/08	1:1		dwg no	213
				app	Gary Hsieh 11/11/08	A		51939-393	sheet
					JOSEPH HSIA 11/11/08			3 of 4	
sheet index	revision sheet								

cage code 22526

Pro/E

Tous droits strictement reserves. Reproduction ou communication a des tiers interdite sous quelque forme que ce soit sans autorisation écrite du propriétaire. Propriete de c FCI. Droits de reproduction FCI.



All rights strictly reserved. Reproduction or issue to third parties in any form whatever is not permitted without written authority from the proprietor. Property of FCI. Copyright FCI.

PRODUCT NUMBER  
51939-393\_\_  
NOTE: 3

NOTES:

1. DIMENSIONS AND TOLERANCES ARE IN ACCORDANCE WITH ASME Y14.5M, 1994 UNLESS OTHERWISE SPECIFIED.

CONNECTOR NOTES:

- 2. HOUSING MATERIAL: UL 94 V-0 GLASS FILLED HIGH-TEMP THERMOPLASTIC  
POWER CONTACT MATERIAL: COPPER ALLOY  
SIGNAL PIN MATERIAL: COPPER ALLOY
- 3. SEE ITEM 1 & 2 IN PRINT 10064183 FOR PLATING SPEC OF 51939-393 AND 51939-393LF RESPECTIVELY.
- 4. MANUFACTURER'S NAME, P/N, AND DATE CODE TO APPEAR ON THIS SURFACE.
- 5. PRODUCT SPECIFICATION GS-12-149.  
APPLICATION SPECIFICATION BUS-20-067.
- 6. PACKAGED IN TRAYS.

PCB NOTES:

- 7. ALL HOLE DIAMETERS ARE FINISHED HOLE SIZE.
- 8. MOUNTING HOLES, WHERE APPLICABLE, ARE UNPLATED.
- 9.  $\varnothing 1.151 \pm 0.025$  DRILLED HOLES PLATED WITH  
0.008 MIN SnPb OR Sn OVER 0.03  
TO 0.08 Cu PLATING TO ACHIEVE  
 $\varnothing 1.02 \pm .07$  HOLE.
- 10. "DIM XXX" TO BE DETERMINED BY THE CUSTOMER.
- 11. CONNECTOR KEEP-OUT ZONE.

mat'l code		SEE NOTE		tolerances unless otherwise specified		CUSTOMER		FCI		www.fciconnect.com	
ltr	ecn no.	dr	date	linear	0.X ± 0.5	COPY				title	
A				linear	0.XX ± 0.25	projection				12P + 28S	
				angles	0.XXX ± 0.1					RIGHT ANGLE SOLDER HEADER	
				dr	Warren Du 11/11/08	product family		PwrBlade	code		
				enr	Warren Du 11/11/08	size		dwg no	213		
				chr	Gary Hsieh 11/11/08	scale		A	sheet		
				appd	JOSEPH HSIA 11/11/08	1:1		51939-393		4 of 4	
sheet index	revision sheet										

cage code 22526

Pro/E