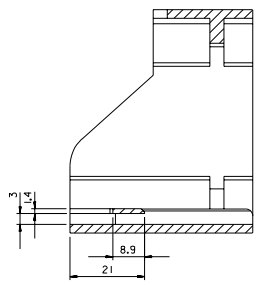
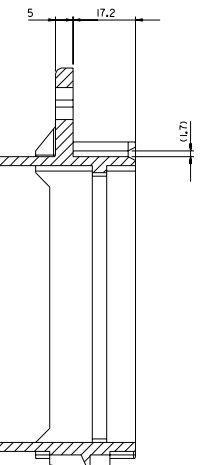
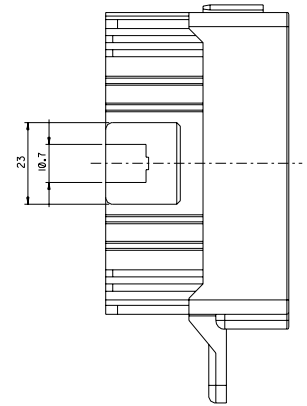


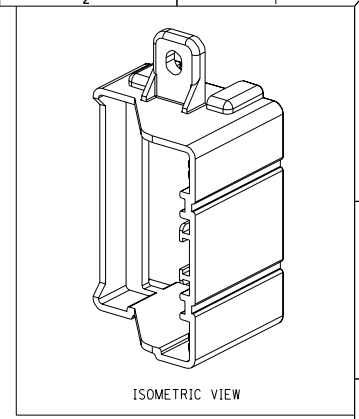
PROJECT NO. SD-49501-002  
 SIMILAR ITEM  
 DWG. NO. SD-49501-002  
 DO NOT SCALE DRAWING DIMENSION IN METRIC



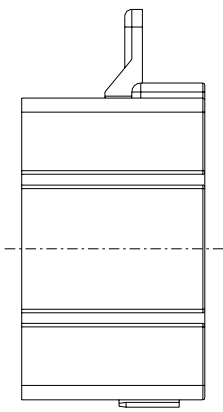
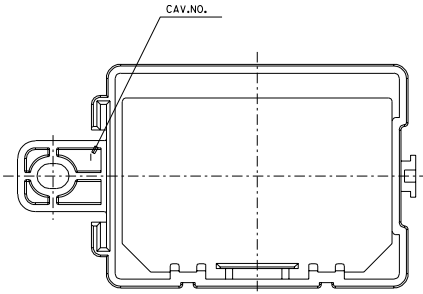
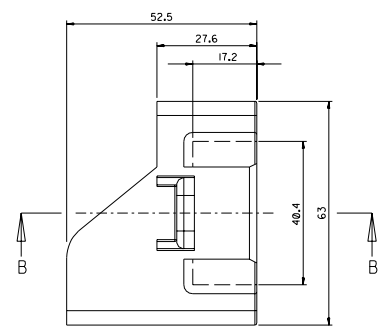
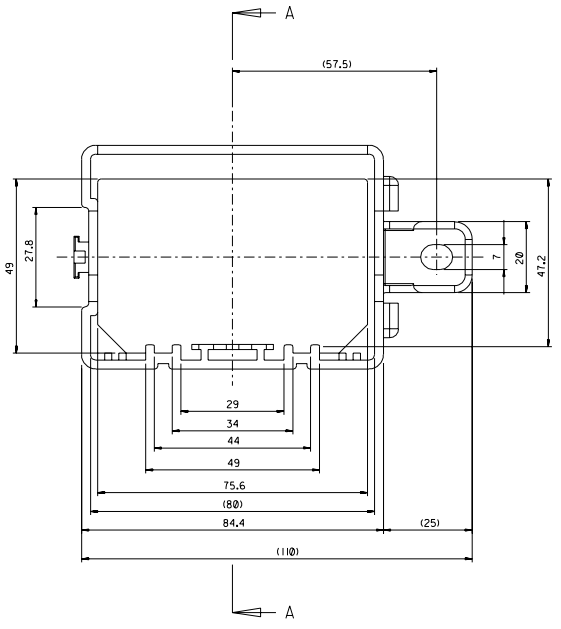
SECTION A-A



SECTION B-B



ISOMETRIC VIEW



- NOTES  
 1. MATERIAL: NYLON66, NONE FILLED, UL94HB  
 COLOR: BLOCK  
 2. APPLICABLE HOUSING NO.: 49006-4610

MATERIAL NO.	495010181
ENG. NO.	49501-0181

NEW RELEASED EC NO. KOR2004-0071 DRWN: B.C.YOON 03/12/11 CHK: B.C.YOON 03/12/11 APPR: C.W.LEE	QUALITY SYMBOLS MAJOR CRITICAL	GENERAL TOLERANCES: (UNLESS SPECIFIED)	SCALE 1:1	DESIGN UNITS <input checked="" type="checkbox"/> mm <input type="checkbox"/> INCH	DIMENSIONS: <input type="checkbox"/> mm <input checked="" type="checkbox"/> mm <input type="checkbox"/> mm <input type="checkbox"/> mm	SHT	REV
		4 PLACES ±0.10 ± 3 PLACES ±0.10 ± 2 PLACES ±0.30 ± 1 PLACE ±0.50 ±	DRAWN BY & DATE B.C.YOON 03/09/19	THIRD ANGLE PROJECTION	TITLE .040 W+T-W HYBRID LIF CONNECTOR 46P BLOCK (RH TYPE)	REVISE ON CAD ONLY	
REV	DESCRIPTION	ANGULAR: ± 3°	CAD FILENAME S4950181.DGN	APPROVED BY & DATE C.W.LEE 03/09/19	MATERIAL NO. SEE TABLE	DRAWING NO. SD-49501-002	SHEET NO. 1 OF 1
DRAFT WHERE APPLICABLE MUST REMAIN WITHIN DIMENSIONS		THIS DRAWING CONTAINS INFORMATION THAT IS PROPRIETARY TO MOLEX INCORPORATED AND SHOULD NOT BE USED WITHOUT WRITTEN PERMISSION.		MOLEX INCORPORATED		SIZE C	