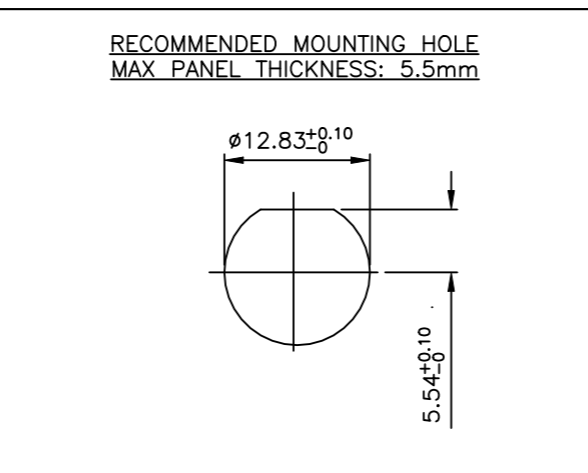
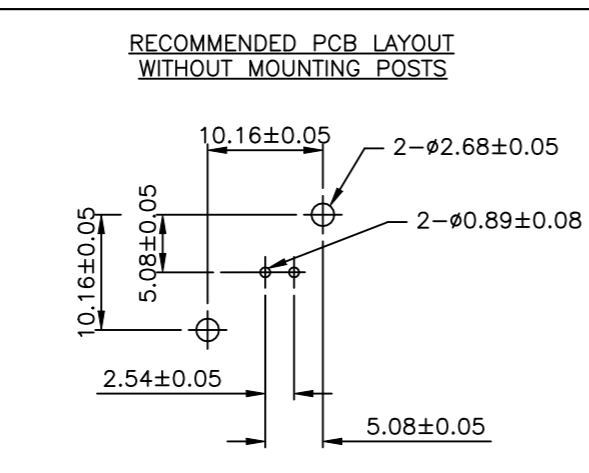
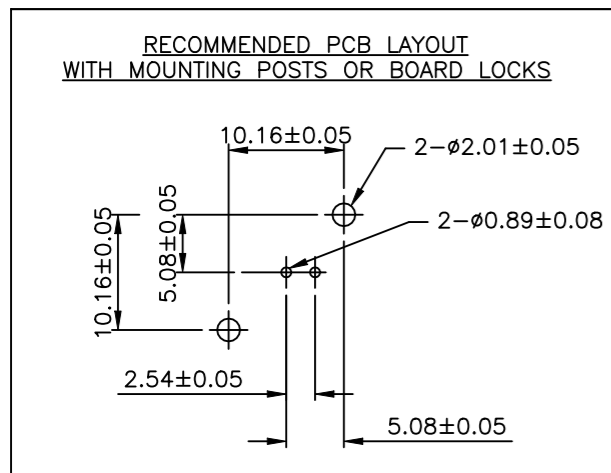
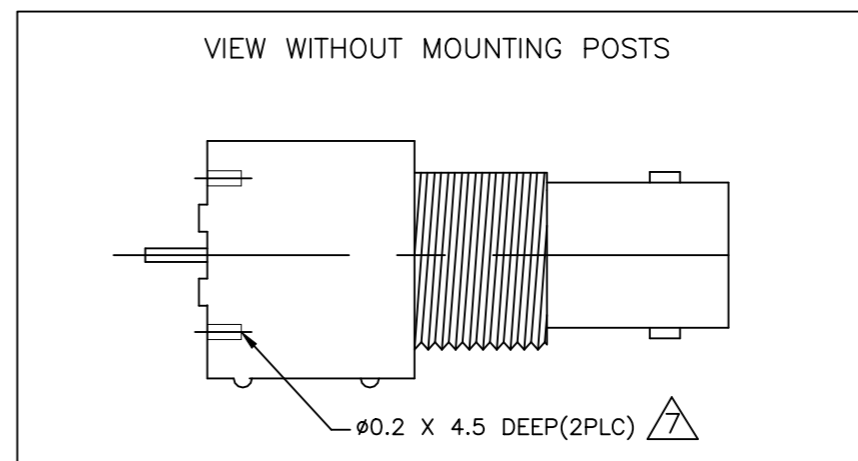
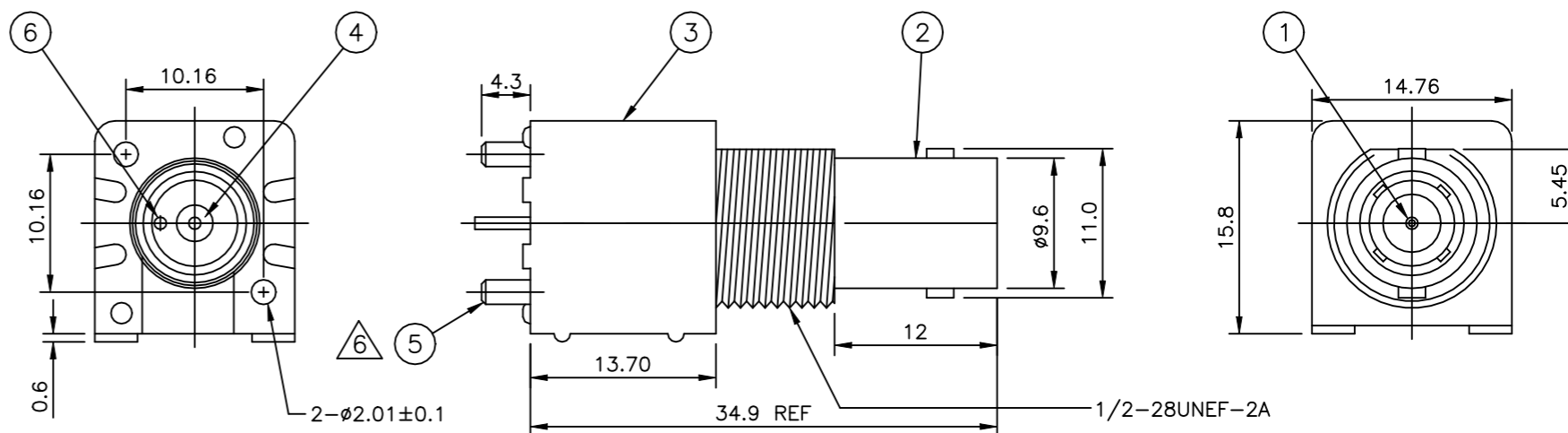


REVISIONS

P	LTR	DESCRIPTION	DATE	DWN	APVD
	D2	REVISED PER ECN-22-141944	04MAR2022	RZ	WK

NOTES:

- ① SINGLE PACK IN ACCORDANCE WITH AMP SPEC 107-3275
- ② 50 TRAY PACK IN ACCORDANCE WITH AMP SPEC 107-3275
- ③ Au PLATING OVER Ni PLATING OVER Cu PLATING
- ④ Ni PLATING OVER Cu PLATING
- ⑤ TIN PLATING
- ⑥ MOUNTING POSTS ARE OPTIONAL SEE TABLE FOR PART NUMBERS
- ⑦ RECOMMENDED SELF-TAPPING SCREW 221108-4
- 8. RECOMMENDED MOUNT NUT 1-1634816-0
- 9. RECOMMENDED LOCKWASHER 1-1634817-0
- 10. FOR TECHNICAL DATA REFER TO YOUR LOCAL TE CONNECTIVITY SALES OFFICE
- 11. ALL DIMENSIONS ARE NOMINAL FOR REFERENCE ONLY UNLESS OTHERWISE STATED



		Obsolete	Obsolete					
		1	1	1	1	BRASS	③ SOLDER TAIL	6
		-	-	2	2	BRASS	③ MOUNTING POST	5
		1	1	1	1	PE-606	INSULATOR	4
		1	1	1	1	PBT WHITE	HOUSING	3
		1	1	1	1	ZINC ALLOY	④ BODY	2
		1	1	1	1	BRASS	④ CONTACT	1
		6--1	1--1	6--0	1--0	MATERIAL	DESCRIPTION	ITEM
		②	①	②	①			
QUANTITY PER ASSY				PARTS LIST				

THIS DRAWING IS A CONTROLLED DOCUMENT.

DIMENSIONS: mm	TOLERANCES UNLESS OTHERWISE SPECIFIED:
	0 PLC ± 0.5
	1 PLC ± 0.3
	2 PLC ± 0.2
	3 PLC ± -
	4 PLC ± -
	ANGLES ± -
MATERIAL SEE TABLE	FINISH SEE TABLE

DWN RITA ZUO 06 Mar 09
 CHK ANSON MA 06 Mar 09
 APVD BOB ZHAO 06 Mar 09
 PRODUCT SPEC 108-112000
 APPLICATION SPEC

STE TE Connectivity

BNC STRAIGHT INSULATED PCB SOCKET
75 OHM WHITE

SIZE A3 CAGE CODE 00779 DRAWING NO C-1478033 RESTRICTED TO -

WEIGHT 0.000000

CUSTOMER DRAWING SCALE NTS SHEET 1 OF 1 REV D2