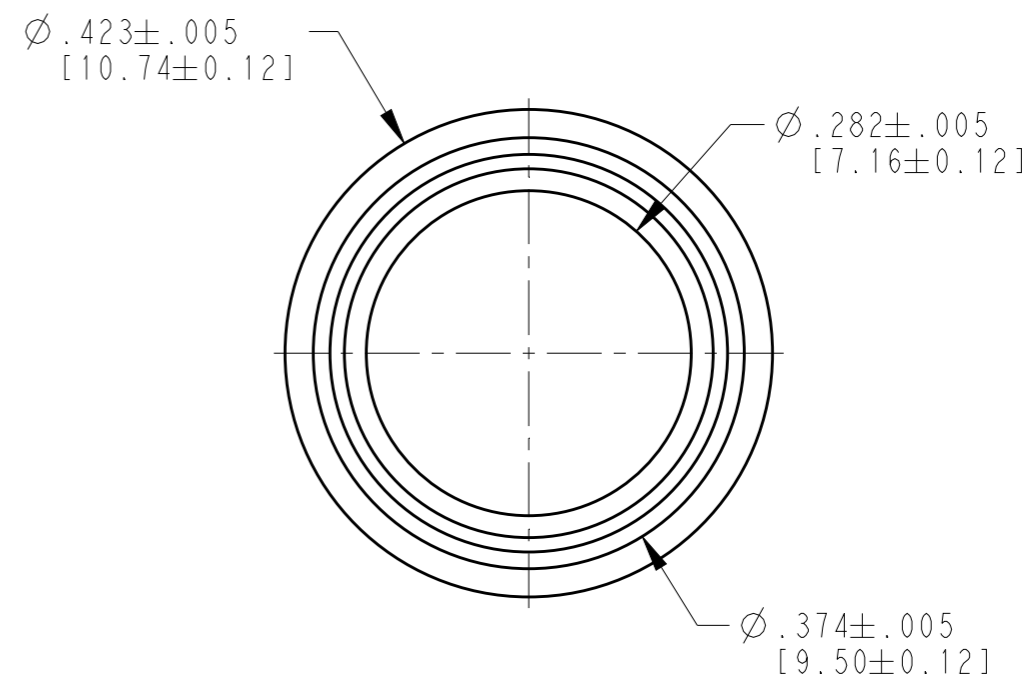
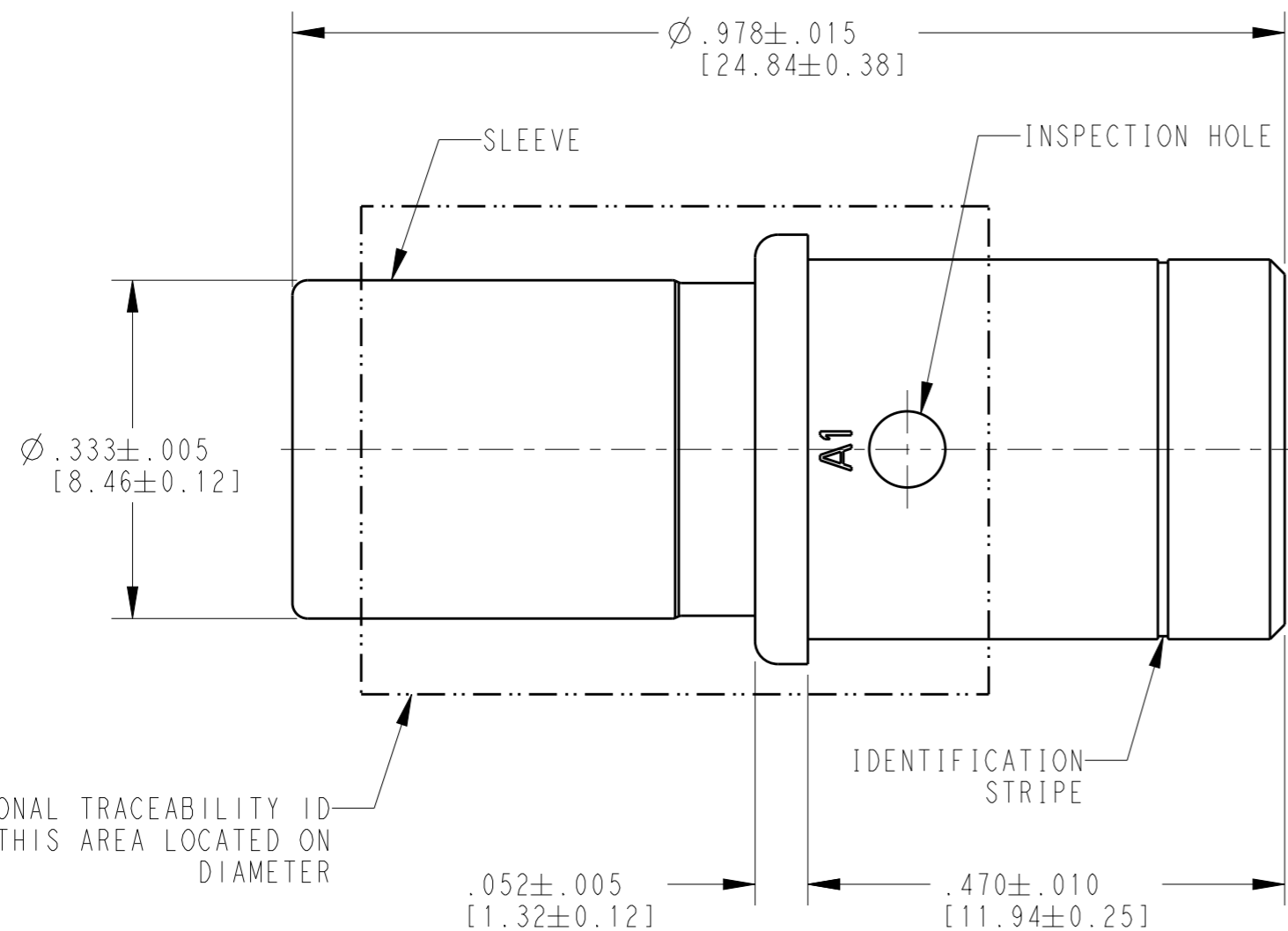


REVISIONS

P	LTR	DESCRIPTION	DATE	DWN	APVD
NC		NEW RELEASE PER E.O. P21296	13FEB2012	JA	RDR
A		REVISED PER E.O. P21378	08JUN2012	JA	RDR
B		REVISED PER PCN E-18-012207	31JUL2018	JA	DM
B1		REVISED PER PCN E-19-018080	19NOV2019	MK	DM



TE INTERNAL PN	DEUTSCH PN	PLATING
5962-203-04141	5962-203-04141	NICKEL
5962-203-0431	5962-203-0431	GOLD

- B1 3. SEE APPLICATION SPECIFICATION 114-151004 FOR CRIMP TOOLS AND WIRE RANGE.
 - 2. CONSULT FACTORY WHEN USING CONTACT OTHER THAN -C038 MODIFICATION.
 - B1 1. DELETED.
- NOTES: UNLESS OTHERWISE SPECIFIED

THIS DRAWING IS A CONTROLLED DOCUMENT.		DWN J. APOSTOL 09FEB2012		
DIMENSIONS: INCHES [mm]		CHK R. LEFFERTS 31MAY2012		
TOLERANCES UNLESS OTHERWISE SPECIFIED:		APVD D. MEYER 01JUN2012	NAME SOCKET, SOLID SIZE 4, 4 AWG	
		PRODUCT SPEC 108-151004	RESTRICTED TO	
MATERIAL		APPLICATION SPEC 114-151004	SIZE A3	CAGE CODE 4AFU8
FINISH		WEIGHT 7.44g	DRAWING NO C=5962-203-04XX	REV B1
CUSTOMER DRAWING			SCALE 6:1	SHEET 1 OF 1