

# EX Series Heatsinks

For TO-220 and TO-247 devices and bridge rectifiers

## FEATURES

- Vertical through-hole PCB mounting
- E3A-T220-25E has a 8-32 threaded mounting hole for a bridge rectifier in a D34 type square package
- The thickened side fins can be used to secure the heat sink to a side wall or to mount TO-220's
- Threaded mounting holes



## SERIES SPECIFICATIONS

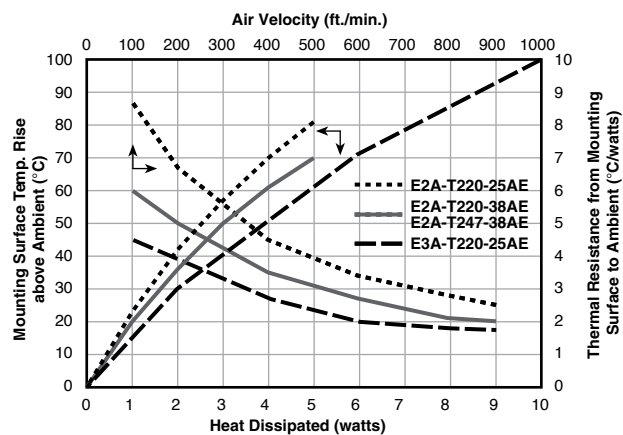
Heatsink Part Number	For Package Type	Ohmite Resistor Series	Surface Area (in <sup>2</sup> /mm <sup>2</sup> )	Weight (oz./g)	Thermal Resistance* (°C/W)
E2A-T220-38E	TO-220	TBH, TCH	7.96 / 5129	0.40 / 11.21	14.0
E2A-T220-25E	TO-220	TBH, TCH	5.30 / 2419	0.26 / 7.5	16.4
E2A-T247-38E	TO-247	TEH100	7.95 / 5129	0.40 / 11.21	14.0
E3A-T220-25E	D34		9.4 / 6064	0.60 / 17.0	12.4

\*Natural convection at 5W dissipation

## CHARACTERISTICS

<b>Heat sink</b>	Aluminum 6063-T5 or equivalent with either black anodized or degreased finish
<b>Solder feet</b>	steel tin plated
<b>Interface thermal resistance</b>	for improvement, use thermal joint compound or 0.005 Grafoil (TGon 800 by Laird)
<b>Interface electrical isolation</b>	Sil-Pad 900S by Bergquist or equivalent

### Heat Dissipation



(continued)

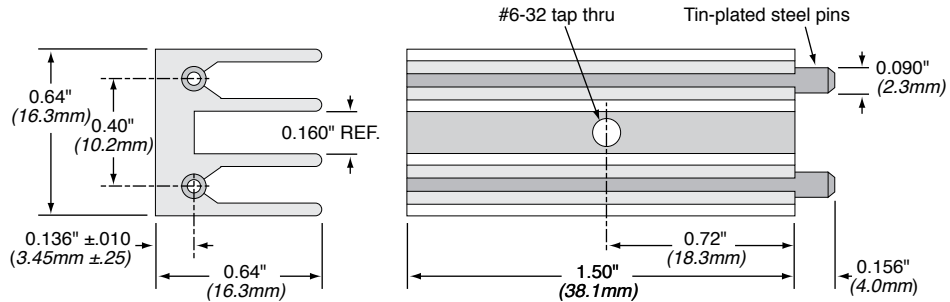
# EX Series Heatsinks

For TO-220 and TO-247 devices and bridge rectifiers

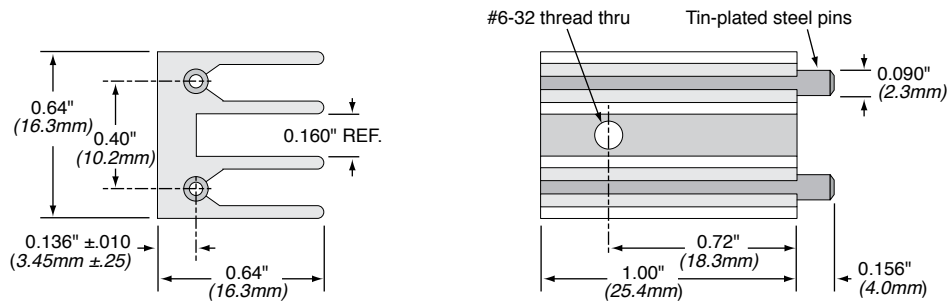
## DIMENSIONS

in. (mm)

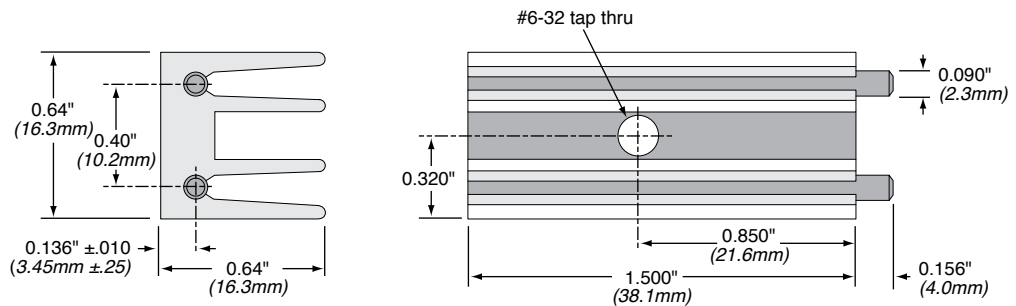
**E2A-T220-38E**



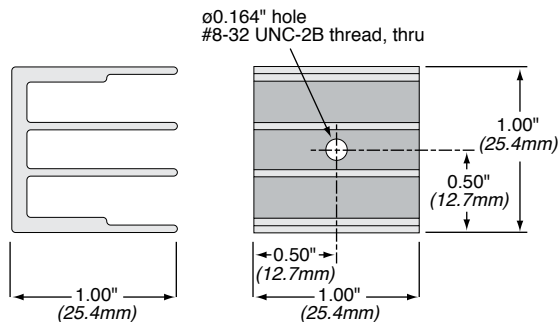
**E2A-T220-25E**



**E2A-T247-38E**



**E3A-T220-25E**



## ORDERING INFORMATION

Extrusion type      RoHS Compliant  
**E 2 A - T 2 2 0 - 3 8 E**  
 Series      Finish      Package      Height  
 EX      A = anodized      type