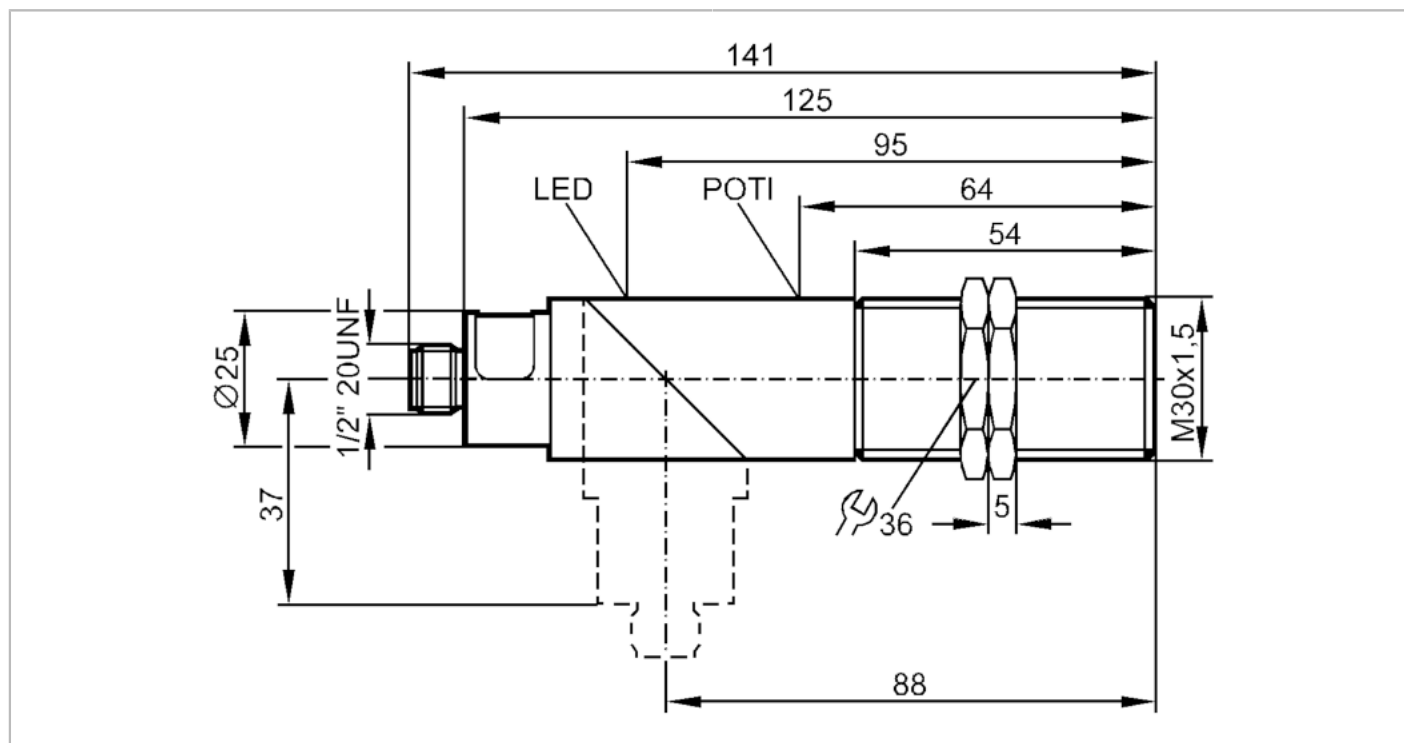


KI3513



Capacitive sensor

KIE2015-FBOA/NI/LS100AK



Product characteristics

Electrical design	factory setting: normally open
Output function	normally open / normally closed; (selectable)
Sensing range [mm]	3...15
Housing	threaded type
Dimensions [mm]	M30 x 1.5

Electrical data

Operating voltage [V]	20...250 AC/DC
Protection class	I
Reverse polarity protection	no

KI3513



Capacitive sensor

KIE2015-FBOA/NI/LS100AK

Outputs		
Electrical design		factory setting: normally open
Output function		normally open / normally closed; (selectable)
Max. voltage drop switching output DC	[V]	8
Max. voltage drop switching output AC	[V]	10
Minimum load current	[mA]	5
Max. leakage current	[mA]	2.5 (250 V AC) / 1.7 (110 V AC) / 1.5 (24 V DC)
Permanent current rating of switching output AC	[mA]	200; (250 (...50 °C))
Permanent current rating of switching output DC	[mA]	200; (250 (...50 °C))
Short-time current rating of switching output	[mA]	2200; (20 ms / 0,5 Hz)
Switching frequency AC	[Hz]	25
Switching frequency DC	[Hz]	50
Short-circuit proof		no
Overload protection		no
Detection zone		
Sensing range	[mm]	3...15
Sensing range adjustable		yes
Factory setting sensing range	[mm]	15
Real sensing range Sr	[mm]	15 ± 10 %
Operating distance	[mm]	0...12.1
Accuracy / deviations		
Correction factor		glass: 0.4 / water: 1 / ceramics: 0.2 / PVC: 0.2
Hysteresis	[% of Sr]	1...15
Switch point drift	[% of Sr]	-15...15
Operating conditions		
Ambient temperature	[°C]	-25...70
Protection		IP 65
Increased immunity		yes; (increased immunity to conducted radio frequency interference)
Tests / approvals		
EMC		EN 60947-5-2
MTTF	[years]	294
Mechanical data		
Weight	[g]	179
Housing		threaded type
Mounting		non-flush mountable
Dimensions	[mm]	M30 x 1.5
Thread designation		M30 x 1.5
Materials		PBT; brass nickel-plated
Displays / operating elements		
Display	switching status	1 x LED, red

KI3513



Capacitive sensor

KIE2015-FBOA/NI/LS100AK

Electrical connection

Required protection	miniature fuse to IEC60127-2 sheet 1; ≤ 2 A; fast acting
---------------------	---

Accessories

Items supplied	lock nuts: 2 screwdriver: 1
----------------	--------------------------------

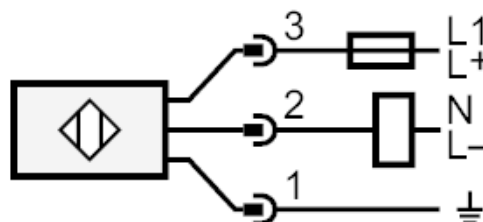
Remarks

Remarks	Recommendation: Check the safe functioning of the unit after a short circuit.
---------	---

Pack quantity	1 pcs.
---------------	--------

Electrical connection - plug

Connector: 1 x 1/2"; coding: C



Note miniature fuse to IEC60127-2 sheet 1 ≤ 2 A fast acting