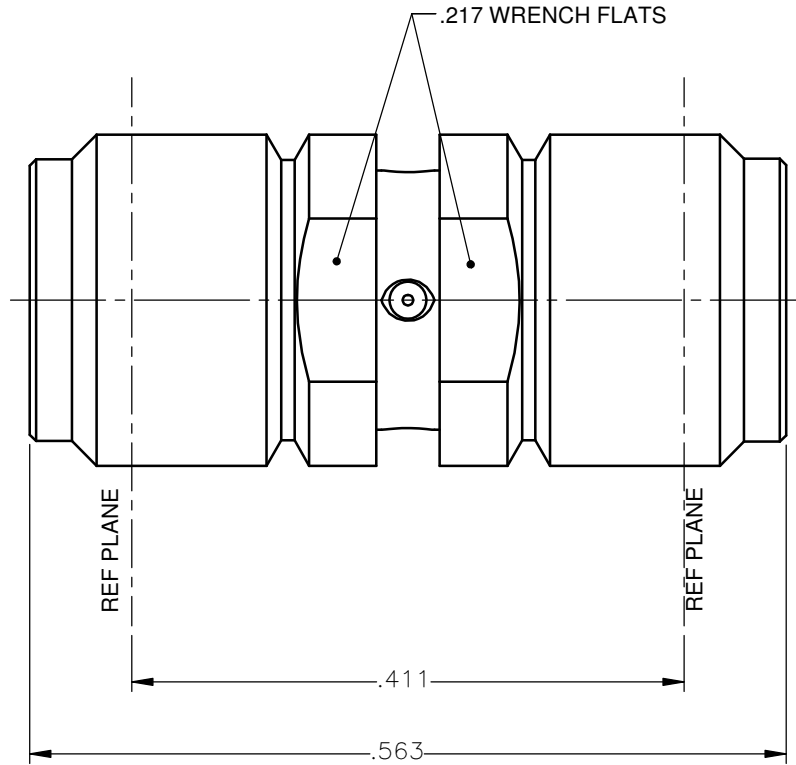
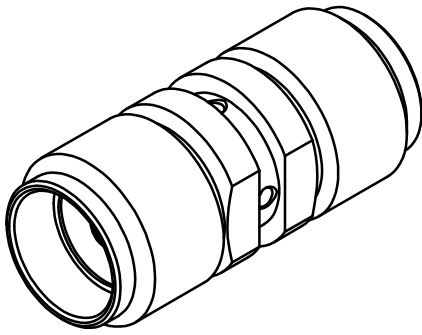


REVISIONS			
REV.	DESCRIPTION	DATE	APPROVED
B	REDRAWN ON NEW FORMAT	12/19/14	D.N.





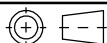
NOTES:

MATERIALS:

1. BODY = STAINLESS STEEL PER ASTM A582, ALLOY 303, CONDITION "A".
2. INSULATOR = VIRGIN WHITE TEFLON PER ASTM D1710, GRADE 1, TYPE I, CLASS "B".
3. CONTACT = BERYLLIUM COPPER PER ASTM B196, ALLOY C17300, TEMPER TD04.

FINISHES:

1. BODY = PASSIVATED.
2. CONTACT = GOLD 2.5 OVER NICKEL 2.

UNLESS OTHERWISE SPECIFIED DIMENSIONS ARE IN INCHES TOLERANCES ON	DWN:	DATE		Property of Radiall			
	D.N.	10/26/11		This document cannot be reproduced or communicated to a third party without prior written permission of RADIALL.			
DECIMAL	ANGLE	CHKD:	DATE	SMA STRAIGHT JACK TO JACK ADAPTER			
		M.J.	10/26/11				
		APVD:	DATE	SIZE	FSCM NO.	DWG NO.	REV
		J.M.	10/26/11	A	19505	5917-9103-000	B
REFERENCE:	MATERIALS & FINISHES:		SCALE	THIRD ANGLE PROJECTION		SHEET 1 OF 1	
ORIGINATED: D.N. DATE: 10/26/11	SEE NOTES		7:1				

5917-9103-000