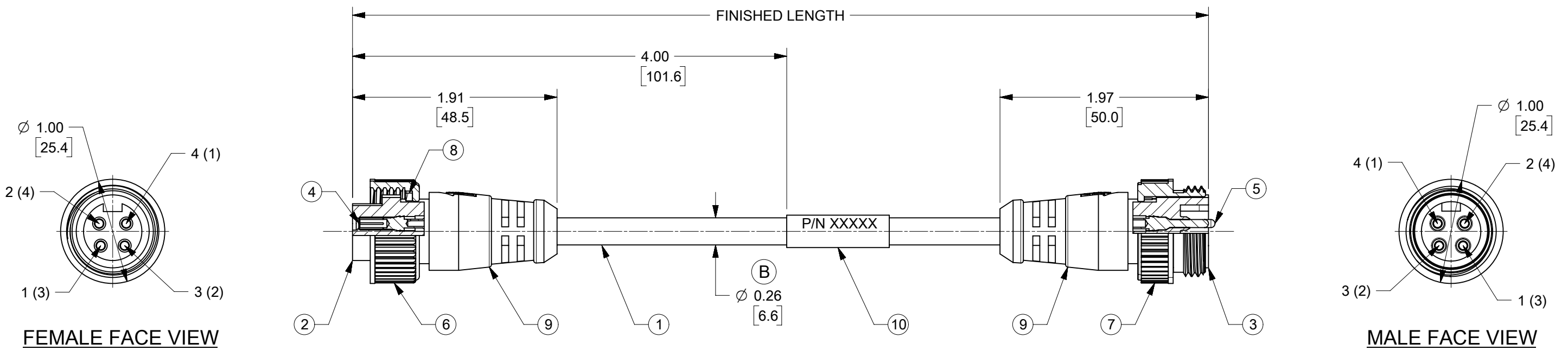
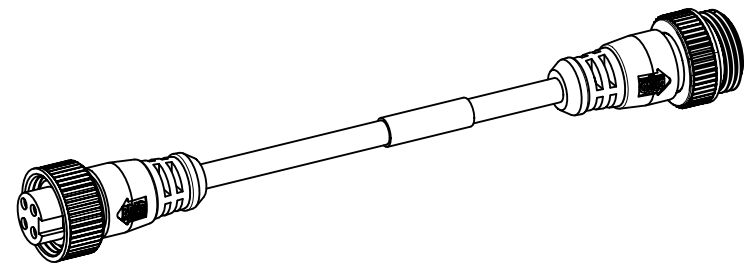


| MATERIAL NO. | ENGINEERING NO. | FINISHED LENGTH |
|--------------|-----------------|--------------------|
| 1300100851 | 114030K03M010 | 1M (3 FT 3.4 IN) |
| 1300100852 | 114030K03M020 | 2M (6 FT 6.7 IN) |
| 1300100853 | 114030K03M030 | 3M (9 FT 10.1 IN) |
| 1300100855 | 114030K03M050 | 5M (16 FT 4.9 IN) |
| 1300100860 | 114030K03M100 | 10M (32 FT 9.7 IN) |
| 1300102178 | 114030K03M150 | 15M (49 FT 2.6 IN) |
| 1300102179 | 114030K03M200 | 20M (65 FT 7.4 IN) |

CABLE LENGTH TOLERANCES
 <.3M [1FT]: +19mm-0 [+ .75in-0]
 .3 - .9M [1 - 3FT]: +44.5mm-0 [+1.75in-0]
 .9 - 1.8M [3 - 6FT]: +55.6mm-0 [+2.19in-0]
 1.8 - 3.7M [6 - 12FT]: +88.9mm-0 [+3.50in-0]
 3.7 - 7.3M [12 - 24FT]: +165.1mm-0 [+6.50in-0]
 7.3-14.6M [24 - 48FT]: +317.5mm-0 [+12.50in-0]
 14.6 - 30.5M [48-100FT]: +622.3mm-0 [+24.50in-0]
 OVER 30M [100FT] +2% OF FINISHED LENGTH



WIRING DIAGRAM

PART NUMBER LEGEND

114030K03M010

FINISHED LENGTH :
 M010 = 1.0 METERS
 M100 = 10.0 METERS
 M200 = 20.0 METERS

| | |
|-------|-------|
| BLACK | 4 (1) |
| BLUE | 3 (2) |
| BROWN | 1 (3) |
| WHITE | 2 (4) |

CENELEC EN 50 044 PINOUT SHOWN
 (SAE-J-1738A IN PARENTHESIS)

MECHANICAL CHARACTERISTICS:

| | |
|----------------------|------------------------------------|
| TORSIONAL FLEX TEST | 10 MILLION CYCLES PER MIL-C-13777G |
| BEND FLEX TEST | 10 MILLION CYCLES PER MIL-C-13777G |
| WELD SLAG RESISTANCE | WOODHEAD STANDARD S-300 |

- NOTES:**
 1) MATERIAL: AS NOTED
 2) FINISHES: AS NOTED
 3) ELECTRICAL DATA:
 VOLTAGE: 300V
 CURRENT: 5.6 AMPS
 PROTECTION: IP67 (WHEN FULLY MATED)
 TEMP RANGE: -20°C TO 105°C (B)
 4) COUPLING THREAD: 7/8-16 UN
 5) CSA CERTIFIED FILE: LR6837 (B)
 6) ALL DIMS ARE FOR REFERENCE UNLESS TOLERANCED OR OTHERWISE NOTED

| ITEM | DESCRIPTION | MATERIAL | FINISH |
|------|----------------------------|---------------|------------------|
| 10 | WRAP LABEL | VINYL | BLACK/YELLOW |
| 9 | OVERMOLD | TPE | YELLOW |
| 8 | FRICTION RING | NYLON | WHITE |
| 7 | MALE COUPLING NUT | ZINC DIE CAST | BLACK E-COAT |
| 6 | FEMALE COUPLING NUT | ZINC DIE CAST | BLACK E-COAT |
| 5 | PIN CONTACT | Cu ALLOY | GOLD OVER NICKEL |
| 4 | SOCKET CONTACT | Cu ALLOY | GOLD OVER NICKEL |
| 3 | MALE INSERT | TPE | YELLOW |
| 2 | FEMALE INSERT | TPE | YELLOW |
| 1 | CABLE, 4P, 18AWG, ITC/PLTC | TPE JACKET | YELLOW |

| | | | | | | | | | |
|---|--|-------|---|--|--|--|--|--|--|
| THIS DRAWING CONTAINS INFORMATION THAT IS PROPRIETARY TO MOLEX ELECTRONIC TECHNOLOGIES, LLC AND SHOULD NOT BE USED WITHOUT WRITTEN PERMISSION | | | | | | | | | |
| FUNCTIONAL SYMBOLS | DIMENSION UNITS | SCALE | CURRENT REV DESC: UPDATED MATERIAL TABLE, TOL. TABLE & TEMP RATING. ADDED ITEM 8, CABLE DIA., MECH. CHARACTERISTICS & CSA. | | | | | | |
| $\nabla = 0$ | INCH/MM | 1:1 | <p>molex</p> <p>MINI-CHANGE CORDSET, A SIZE 4 POLE, FEMALE/MALE, STRAIGHT, SINGLE KEY, 18 AWG TPE HI-FLEX</p> <p>PRODUCT CUSTOMER DRAWING</p> <p>DOCUMENT NUMBER: 1300102178 DOC TYPE: PSD DOC PART: 000 REVISION: B</p> <p>DRAFT WHERE APPLICABLE MUST REMAIN WITHIN DIMENSIONS</p> <p>THIRD ANGLE PROJECTION DRAWING: B-SIZE SERIES: 130010 MATERIAL NUMBER: SEE TABLE CUSTOMER: GENERAL MARKET SHEET NUMBER: 1 OF 1</p> | | | | | | |
| $\nabla = 0$ | GENERAL TOLERANCES (UNLESS SPECIFIED) | | | | | | | | |
| $\nabla = 0$ | ANGULAR TOL $\pm 0.5^\circ$ | | | | | | | | |
| DIVISIONAL SYMBOLS | 4 PLACES \pm | | | | | | | | |
| | 3 PLACES \pm | | EC NO: 701162 | | | | | | |
| | 2 PLACES \pm | | DRWN: AKABADI 2021/09/16 | | | | | | |
| | 1 PLACE \pm | | CHKD: RSTONE 2022/03/30 | | | | | | |
| | 0 PLACES \pm | | APPR: BWOODMAN 2022/04/08 | | | | | | |
| | DRAFT WHERE APPLICABLE MUST REMAIN WITHIN DIMENSIONS | | INITIAL REVISION: DRWN: CCHRSTKA 2019/06/20 | | | | | | |
| | THIRD ANGLE PROJECTION | | APPR: BWOODMAN 2019/08/14 | | | | | | |