

32996 ✓ ACTIVE

SOLISTRAND

TE Internal #: 32996

Ring Terminals & Spade Terminals, Ring Tongue, 8 AWG Wire Size,
8 mm² Wire Size, 13100 – 20800 CMA Wire Size, Stud Size M4 / #8

[View on TE.com >](#)



Terminals & Splices > Ring Terminals & Spade Terminals



Ring & Spade Terminal Type: **Ring Tongue**

Wire Size: **13100 – 20800 CMA**

Stud Size: **#8, M4**

Features

Product Type Features

Stud Size	#8, M4
Sealable	No
Wire Insulation Support Retention Type	Non-Insulation Support

Configuration Features

Number of Holes	1
-----------------	---

Contact Features

Ring & Spade Terminal Type	Ring Tongue
Barrel Type	Closed
Terminal Orientation	Straight
Terminal Plating Material	Tin

Mechanical Attachment

Wire Insulation Support	Without
-------------------------	---------

Dimensions

Wire Size	13100 – 20800 CMA
Stud Diameter	4.34 mm[.171 in]
Tongue Thickness	1.22 mm[.048 in]



Product Length	23.7 mm[.933 in]
----------------	------------------

Barrel Inside Diameter	4.37 mm[.172 in]
------------------------	------------------

Usage Conditions

Insulation Option	Uninsulated
-------------------	-------------

Operating Temperature Range	170 °C[338 °F]
-----------------------------	----------------

Operation/Application

Compatible With Wire Base Material	Copper
------------------------------------	--------

Compatible With Wire Plating Material	Tin
---------------------------------------	-----

Industry Standards

Government Qualified Terminal	No
-------------------------------	----

Packaging Features

Packaging Quantity	100
--------------------	-----

Packaging Method	Loose Piece
------------------	-------------

Product Compliance

[For compliance documentation, visit the product page on TE.com>](#)

EU RoHS Directive 2011/65/EU	Compliant
------------------------------	-----------

EU ELV Directive 2000/53/EC	Compliant
-----------------------------	-----------

China RoHS 2 Directive MIIT Order No 32, 2016	No Restricted Materials Above Threshold
---	---

EU REACH Regulation (EC) No. 1907/2006	Current ECHA Candidate List: JUNE 2023 (235) Candidate List Declared Against: JUNE 2023 (235) Does not contain REACH SVHC
--	---

Halogen Content	Low Halogen - Br, Cl, F, I < 900 ppm per homogenous material. Also BFR/CFR/PVC Free
-----------------	---


Solder Process Capability	Not applicable for solder process capability
---------------------------	--

Product Compliance Disclaimer

This information is provided based on reasonable inquiry of our suppliers and represents our current actual knowledge based on the information they provided. This information is subject to change. The part numbers that TE has identified as EU RoHS compliant have a maximum concentration of 0.1% by weight in homogenous materials for lead, hexavalent chromium, mercury, PBB, PBDE, DBP, BBP, DEHP, DIBP, and 0.01% for cadmium, or qualify for an exemption to these limits as defined in the Annexes of Directive 2011/65/EU (RoHS2). Finished electrical and electronic equipment products will be CE marked as required by Directive 2011/65/EU. Components may not be CE marked. Additionally, the part numbers that TE has identified as EU ELV compliant have a maximum concentration of 0.1% by weight in homogenous materials for lead, hexavalent chromium, and mercury, and 0.01% for cadmium, or qualify for an exemption to these limits as defined in the Annexes of Directive 2000/53/EC (ELV). Regarding the REACH Regulation, the information TE provides

on SVHC in articles for this part number is based on the latest European Chemicals Agency (ECHA) 'Guidance on requirements for substances in articles' posted at this URL: <https://echa.europa.eu/guidance-documents/guidance-on-reach>

Compatible Parts



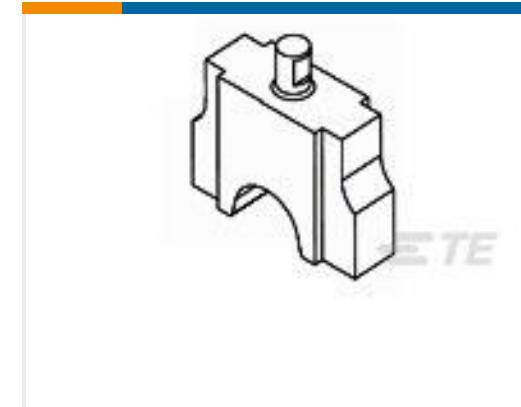
TE Part # 69355
HHLT SOLIS SOLIS FLAG STRATO 8 ASSY




TE Part # 1490413-1
HYP10 SOLIS 8AWG NEST



TE Part # 1490414-1
HYP10 SOLIS 8AWG INDENTER



TE Part # 1901001-1
NEST #8



TE Part # 48355
HYP8 SOLIS 8AWG INDENTER



TE Part # 69216
HYP8/10 SOLIS 8AWG DIE SET



TE Part # 48126
HYP8 SOLIS 8AWG NEST



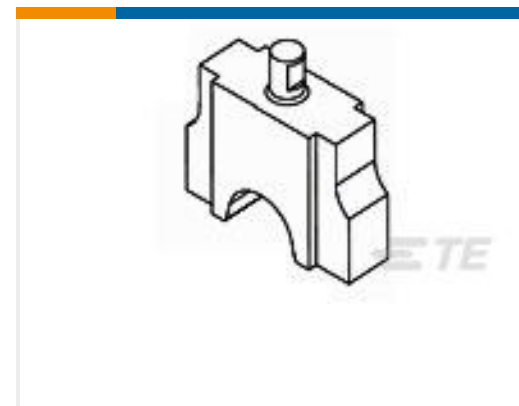
TE Part # 600850
ROTO-CRIMP TOOL (ASI)



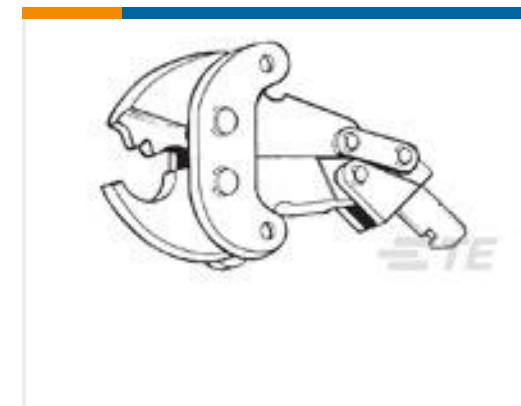
TE Part # 601075
BANTAM ROTA-CRIMP TOOL



TE Part # 69339
HHLT SOLIS SOLIS FLAG STRATO 8 ASSY



TE Part # 1901002-2
INDENTER, SOLISTRAND



TE Part # 49956
PNEUMATIC SOLIS STRATO 8 HEAD

Customers Also Bought



TE Part #52936-3
TERMINAL,PIDG SPR SPD 16-14 8



TE Part #3-641237-4
04P MTA100 CONN ASSY RED 30AU



TE Part #9435730001
TMS-SCE-1K-1/8-2.0-S1-9



TE Part #4-640440-5
15P MTA100 CONN ASSY 22AWG RED



TE Part #YDTS20F17-35PNV001
RECP ASSY



TE Part #DTMH06-2SC
PLG, 2P, BLK, N, HI TEMP, C



TE Part #130550
SOLIS 8 R M6



TE Part #1-2176251-3
CRGS2010 5% 10R



TE Part #1-1617109-3
HM-26B = HM RELAY



TE Part #2369317-1
16G 05FH 8H plug aassy 440POS 8u"
Au

Documents

Product Drawings

[TERMINAL,SOLIS R 8 8](#)

English

CAD Files

Customer View Model

[ENG_CVM_CVM_32996_H.2d_dxf.zip](#)

English

[3D PDF](#)

3D

Customer View Model

[ENG_CVM_CVM_32996_H.3d_igs.zip](#)

English

Customer View Model

[ENG_CVM_CVM_32996_H.3d_stp.zip](#)

English

By downloading the CAD file I accept and agree to the [Terms and Conditions](#) of use.

Product Environmental Compliance

[MD_32996_062920142343_dmtec](#)

English

[MD_32996_062920142343_dmtec](#)

English

Agency Approvals

[UL Report](#)

English



[UL Report](#)

English

[UL Report](#)

English