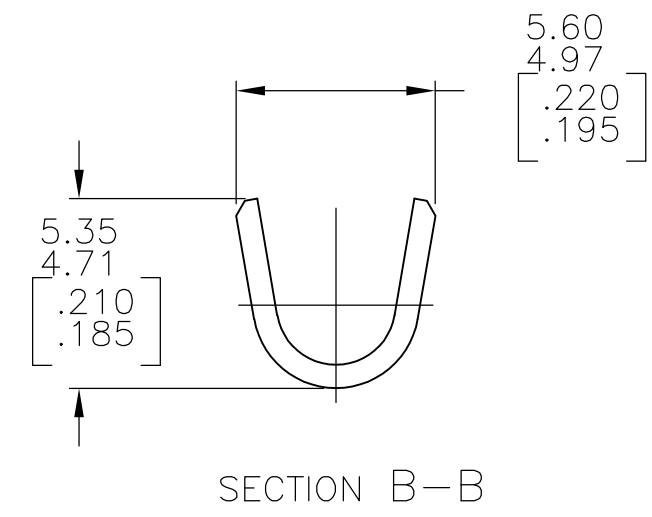
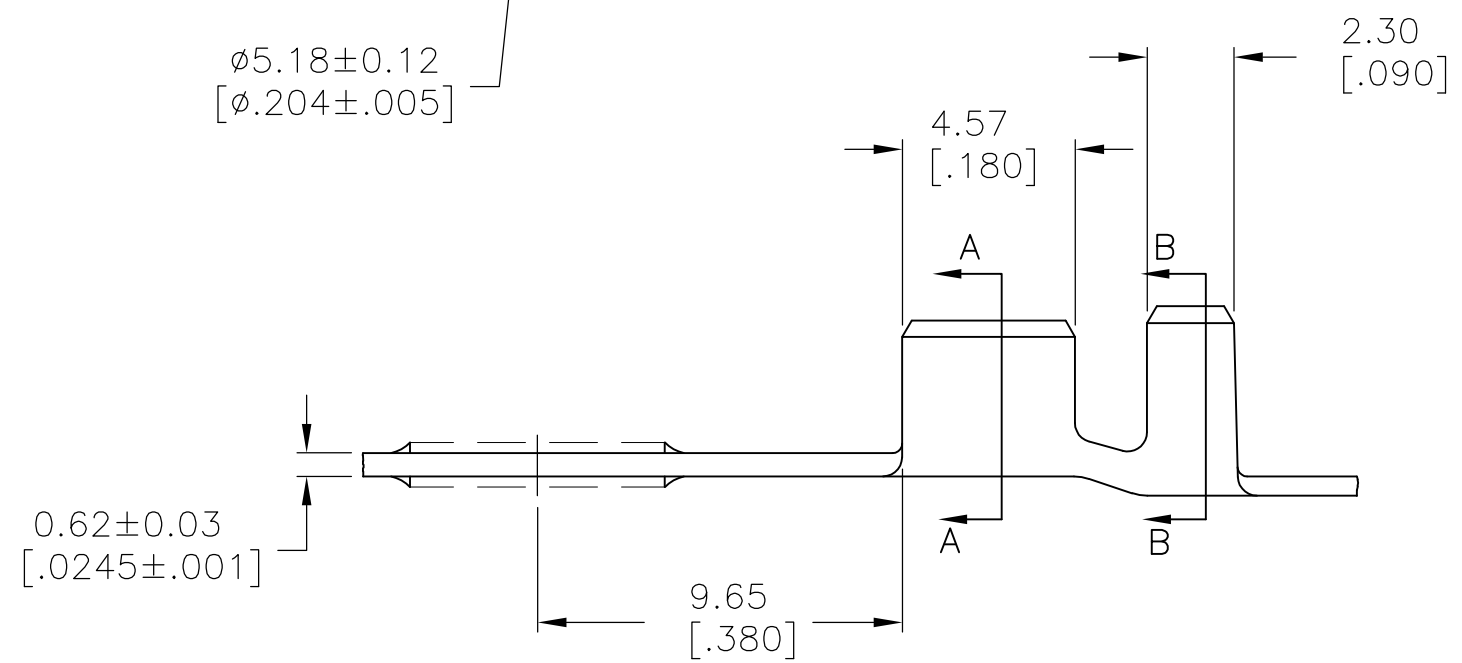
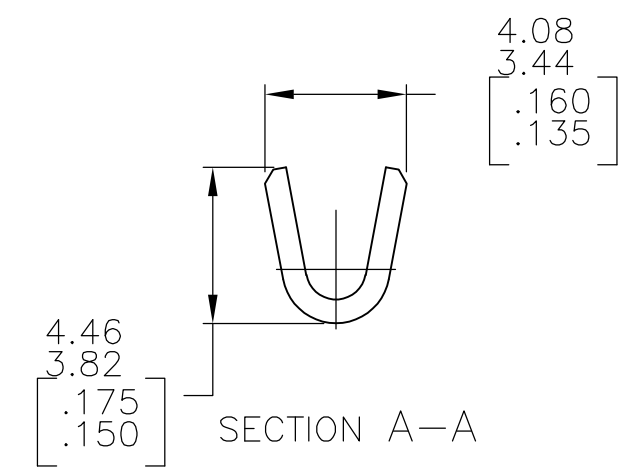
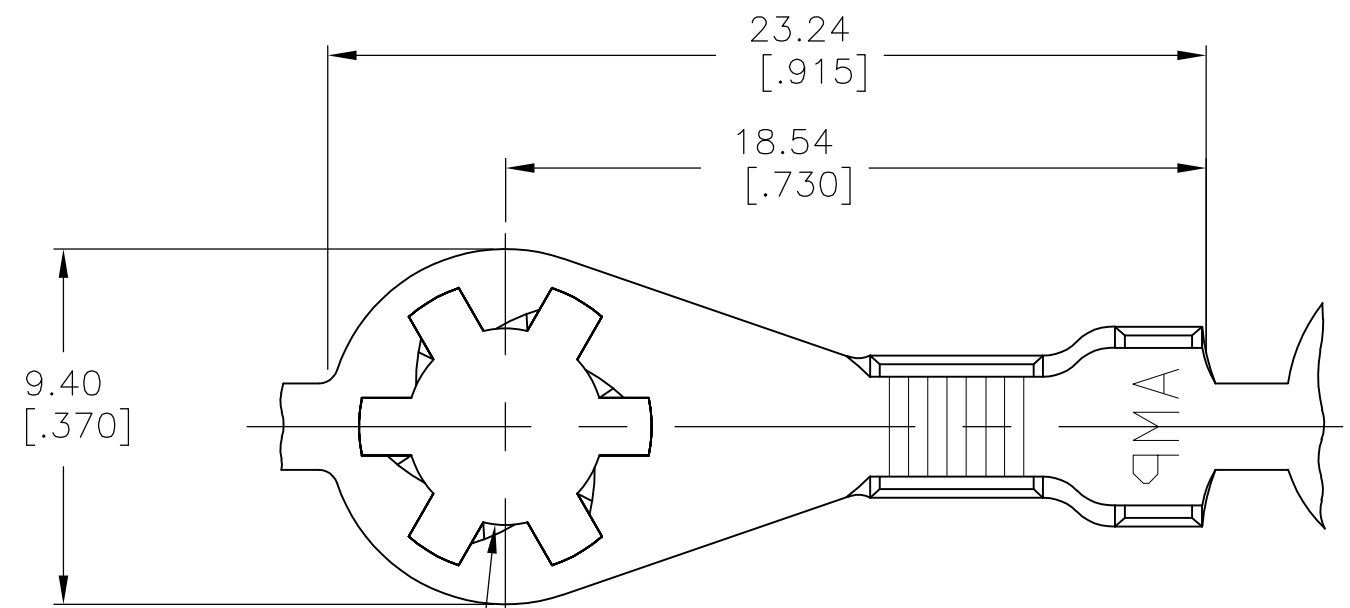


THIS DRAWING IS UNPUBLISHED. RELEASED FOR PUBLICATION
 © COPYRIGHT BY TYCO ELECTRONICS CORPORATION. ALL INTERNATIONAL RIGHTS RESERVED.

LOC	DIST	REVISIONS			
P	LTR	DESCRIPTION	DATE	DWN	APVD
AF	50	A1	REVISED PER ECR-09-001244	05MAR09	HMR JR

- 1 CONTINUOUS STRIP ON REELS
- 2 WIRE RANGE: 18 - 14
INSULATION RANGE: .105 - .145 DIA



485062-1
TERMINAL NUMBER

THIS DRAWING IS A CONTROLLED DOCUMENT.		DWN RAGHAVENDRA 05MAR09	Tyco Electronics Corporation Harrisburg, PA 17105-3608	
DIMENSIONS: mm [INCHES]		CHK JEFF RUTH 05MAR09	Tyco Electronics	
TOLERANCES UNLESS OTHERWISE SPECIFIED:		APVD DON DECKER 05MAR09	RING, ANTIROTATION	
0 PLC ± -		PRODUCT SPEC	NAME	
1 PLC ± -		APPLICATION SPEC	SIZE CAGE CODE DRAWING NO RESTRICTED TO	
2 PLC ± -		WEIGHT -	A3 00779 C-485062	
3 PLC ± 0.38 [.015]		CUSTOMER DRAWING	SCALE 5:1 SHEET 1 OF 1 REV A1	
4 PLC ± -				
ANGLES ± 1° 0'				
MATERIAL STEEL	FINISH TIN			