

**Ratings**

Voltage: 300 V  
 Temperature: -40~105 °C  
 Flammability: VW-1

**Conductor**

Conductor count: 2  
 Gauge: 32 AWG 0.04 mm<sup>2</sup>  
 Material: tinned copper strands  
 Strand size:  $\phi 0.08 \times 7$   
 Resistance at 20 °C: 590  $\Omega$  /km max

**Insulator**

Material: FEP  
 Color: red, black  
 Diameter:  $\phi 0.55 \pm 0.10$   
 Nominal thickness: 0.13 mm  
 Resistance at 20 °C: 10 M $\Omega$  /km min

**Filler**

Material: aramid fiber

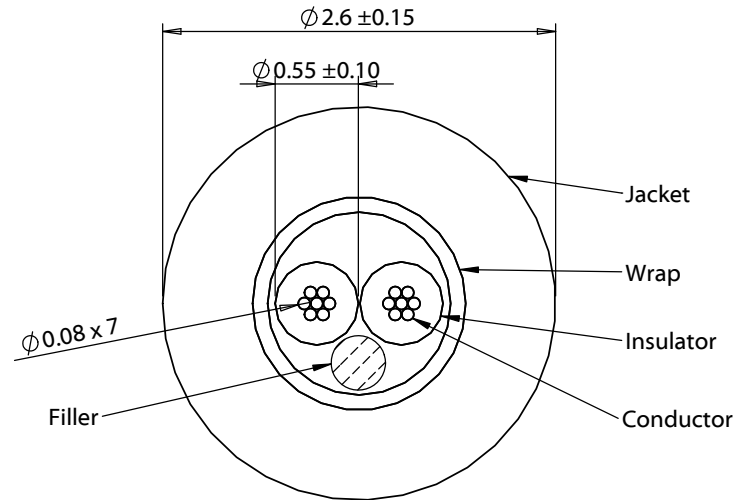
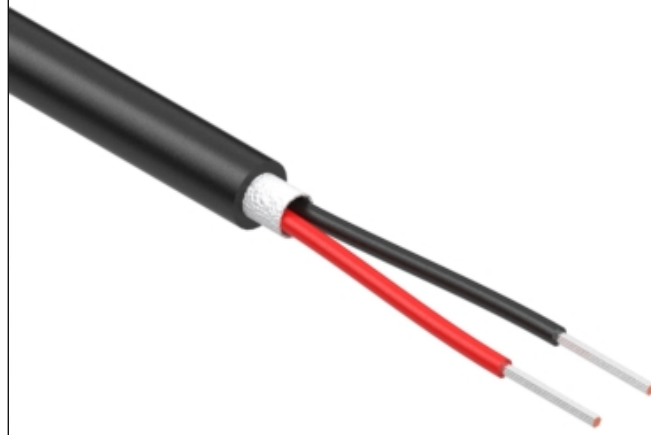
**Wrap**


Material: cotton paper

**Outer jacket**

Material: TPE  
 Color: black  
 Diameter:  $\phi 2.6 \pm 0.15$   
 Nominal thickness: 0.6 mm

**Wire marking:** E339579 UL AWM STYLE 21296 32 AWG 105°C  
 300V VW-1 --- cUL AWM I A 105°C 300V FT1 TENSILITY DGT



Revision:	Date:	Description:	Prepared: <b>AW</b> <small>Digitally signed by AW Date: 2021.04.28 16:30:22 -07'00'</small>	Notes:	<b>TENSILITY</b> <small>tel 1.541.323.3228 800 877.670.7118 fax 1.541.323.4202 web tensility.com</small>
A	4/28/2021	Initial release	Verified: <b>JC</b> <small>Digitally signed by JC Date: 2021.05.04 15:38:01 -07'00'</small>	RoHS compliant Phthalate free Function test: no open, no short circuit, no intermittent	
			Dimensions are in millimeters. Tolerances: X: $\pm 0.5$ mm X.X: $\pm 0.3$ mm X.XX: $\pm 0.05$ mm	Description: Wire, 2C TS, 32 AWG, UL 21296, 300V, 105C, 2.6 mm, TPE	Size: A Part number: <b>30-01907</b>
					Scale: 20:1  Sheet 1 of 1

5

4

3

2

1