

## Evaluating the **ADP5075** DC-to-DC Switching Regulator/Converter

### FEATURES

- Input voltage range: 3 V to 5.5 V**
- Output voltage: -5 V**
- Output current: 190 mA**
- Demonstrated compact 6 mm × 5 mm layout**

### EVALUATION KIT CONTENTS

ADP5075CB-EVALZ evaluation board

### ADDITIONAL EQUIPMENT NEEDED

- DC power supply**
- Multimeters for voltage and current measurement**
- Electronic or resistive loads**

### GENERAL DESCRIPTION

The ADP5075CB-EVALZ evaluation board demonstrates the functionality of the [ADP5075](#) dc-to-dc converter.

The board can be used to evaluate simple device measurements, such as line regulation, load regulation, and efficiency. Device features, such as selectable operating frequency, soft start, and slew rate control can also be evaluated. The evaluation board accepts input voltages within the tolerance of standard 3.3 V to 5 V dc levels.

For more details about the dc-to-dc converter, refer to the [ADP5075](#) data sheet, which must be consulted in conjunction with this user guide when using the evaluation board.

### EVALUATION BOARD PHOTOGRAPH



Figure 1. ADP5075CB-EVALZ Evaluation Board

**TABLE OF CONTENTS**

Features .....	1	Output Voltage Measurements .....	4
Evaluation Kit Contents .....	1	Line Regulation .....	4
Additional Equipment Needed .....	1	Load Regulation .....	5
General Description .....	1	Efficiency .....	5
Evaluation Board Photograph .....	1	Evaluation Board Schematics .....	6
Revision History .....	2	Ordering Information.....	7
Evaluation Board Hardware .....	3	Bill of Materials .....	7
Evaluation Board Configurations .....	3		

**REVISION HISTORY**

<b>9/2020—Rev. 0 to Rev. A</b>	
Changes to Table 2 .....	7

**11/2017—Revision 0: Initial Version**

## EVALUATION BOARD HARDWARE

### EVALUATION BOARD CONFIGURATIONS

The ADP5075CB-EVALZ evaluation board is configured to provide a -5 V output from a 3 V to 5.5 V input. Table 2 in the Ordering Information section lists the components for the ADP5075CB-EVALZ board. The board allows the end user to

customize the design. Refer to the [ADP5075](#) data sheet or to the [ADIsimPower](#) tool to obtain alternative component values. Figure 2 outlines the board features available to the user.

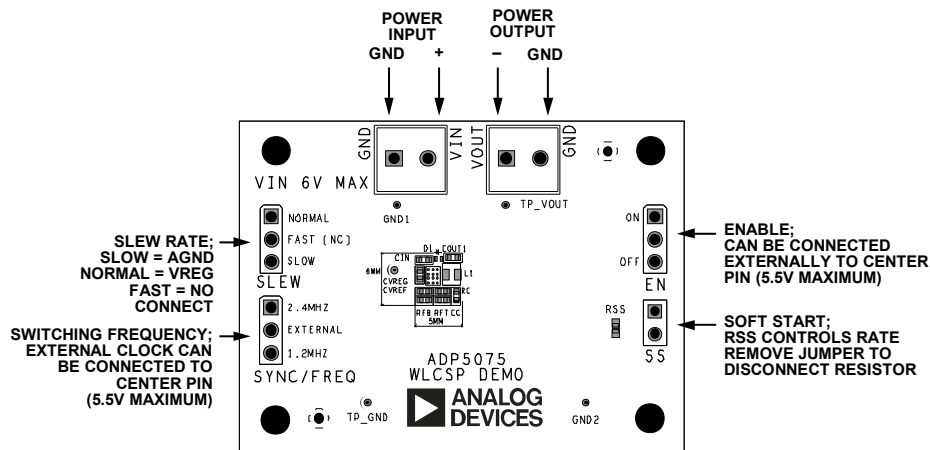


Figure 2. Outline of ADP5075CB-EVALZ Evaluation Board Features

Table 1. ADP5075CB-EVALZ Evaluation Board Function Descriptions

Jumper/Connector Mnemonic	Description
VIN	Power supply to the <a href="#">ADP5075</a> . In the default configuration, this ranges from 3 V to 5.5 V.
VOUT	Output from the <a href="#">ADP5075</a> . -5 V in the default configuration.
EN	Precision enable. The EN pin is compared to an internal precision reference to enable the inverting regulator output. Connect this jumper to the on position to turn on the regulator. Connect this jumper to the off position or remove this jumper to turn the regulator off. (An internal pulldown is present in the <a href="#">ADP5075</a> .) An external enable can be connected to the center pin with a voltage from 1.2 V to 5.5 V.
SYNC/FREQ	Synchronization input and frequency setting. To set the switching frequency to 2.4 MHz, pull the SYNC/FREQ pin high. To set the switching frequency to 1.2 MHz, pull the SYNC/FREQ pin low. To synchronize the switching frequency, connect the SYNC/FREQ pin to an external clock (5.5 V maximum).
SLEW	Driver stage slew rate control. The SLEW pin sets the slew rate for the SW pin driver. For the fastest slew rate (best efficiency), leave the SLEW pin open. For a normal slew rate, connect the SLEW pin to VREG. For the slowest slew rate (best electromagnetic interference (EMI) performance), connect the SLEW pin to GND.
SS	Soft start programming. Leave the SS pin open to obtain the fastest soft start time. To program a slower soft start time, connect this jumper. This jumper connects the RSS resistor between the SS pin and GND.

## OUTPUT VOLTAGE MEASUREMENTS

For basic output voltage accuracy measurements, connect the evaluation board to a voltage source and a voltmeter. Use a resistor as the load for the regulator.

Ensure that the resistor has an adequate power rating to handle the expected power dissipation. Use an electronic load as an alternative. Ensure that the voltage source supplies enough current for the expected load levels, taking into account the device efficiency.

To connect to a voltage source and voltmeter use the following steps:

1. Connect the negative (–) terminal of the voltage source to the GND terminal of the power input connector.
2. Connect the positive (+) terminal of the voltage source to the VIN terminal of the power input connector.
3. Connect a load between the VOUT terminal and GND terminal at the output connector.
4. Connect the voltmeter across the output terminal and ground in parallel with the load resistor.

Turn the voltage source on and move the EN jumper to the ON position.

If the load current is large, the user must connect the voltmeter as close as possible to the output capacitor to reduce the effects of voltage drops due to the printed circuit board (PCB) trace impedance.

If long power leads are used from the power supply, especially at higher loads, connect a large capacitor (10  $\mu$ F or more) across the VIN terminals to prevent losses from lead inductance.

Measure the input voltage at these terminals or use a power supply with a 4-wire supply and sense arrangement.

Keep power leads short when performing any output voltage measurement.

## LINE REGULATION

For line regulation measurements, monitor the regulator output while the input is varied. For good line regulation, the output must change as little as possible with varying input levels. It is possible to repeat this measurement under different load conditions. Figure 3 and Figure 4 show the typical line regulation performance of the ADP5075.

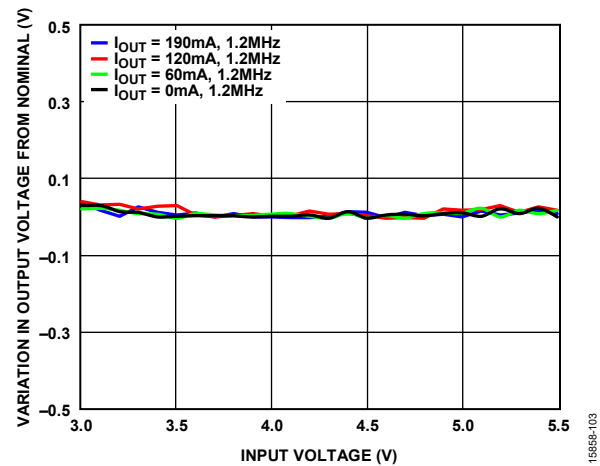


Figure 3. ADP5075 Line Regulation  $V_{NEG} = -5$  V,  $f_{SW} = 1.2$  MHz,  $T_A = 25^\circ\text{C}$

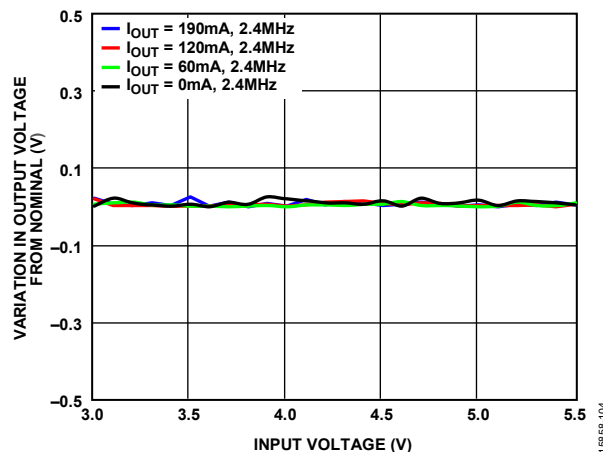


Figure 4. ADP5075 Line Regulation  $V_{NEG} = -5$  V,  $f_{SW} = 2.4$  MHz,  $T_A = 25^\circ\text{C}$

**LOAD REGULATION**

For load regulation measurements, monitor the regulator output while the load is varied. For good load regulation, the output must change as little as possible with varying loads. The input voltage must be held constant during this measurement. Figure 5 shows the typical load regulation performance of the ADP5075.

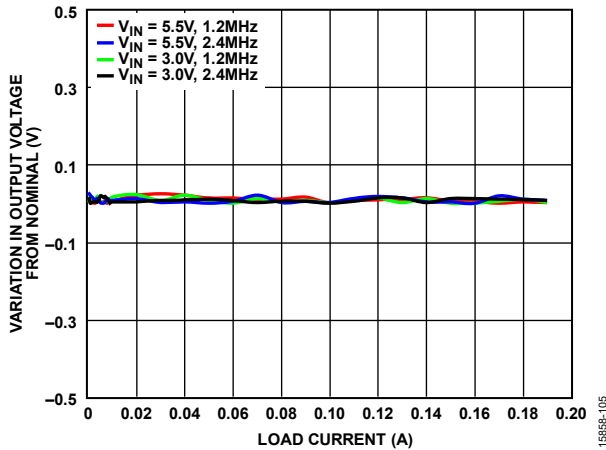


Figure 5. ADP5075 Load Regulation  $V_{NEG} = -5V$ ,  $T_A = 25^\circ C$

**EFFICIENCY**

For efficiency measurements, monitor the regulator input and output while the load is varied. The input voltage must be held constant during this measurement. Connect ammeters in series with the input and output. Connect voltmeters to the PCB side of the ammeter, and measure the voltage across the input and output terminals. For the best results, measure the voltage across the input and output capacitors. If possible, particularly at low current, trigger the meters simultaneously and set to average readings for a period of a few hundred milliseconds or more. Averaging the readings removes the switching ripple and skip mode effects.

Figure 6 shows the typical efficiency curves of ADP5075 at the minimum and maximum input voltages, respectively.

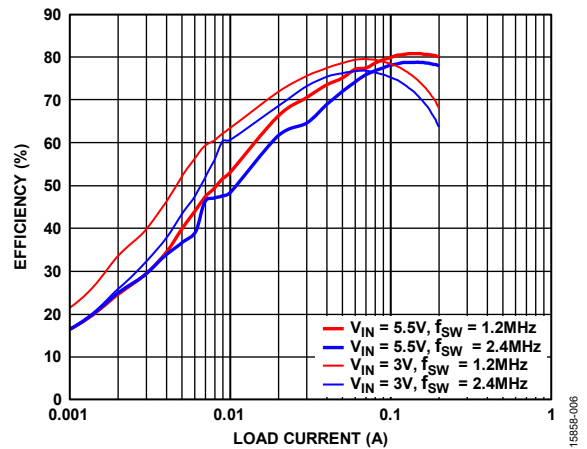


Figure 6. ADP5075 Efficiency vs. Load Current,  $V_{NEG} = -5V$

EVALUATION BOARD SCHEMATICS

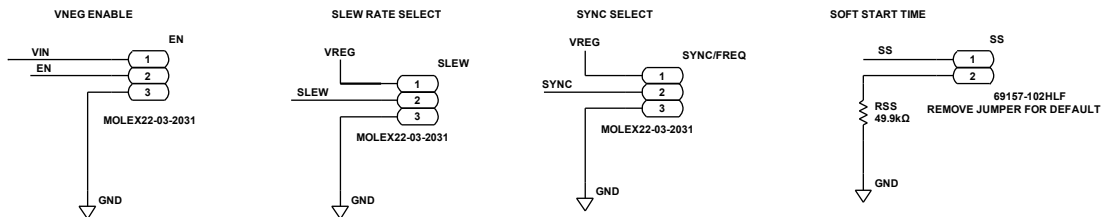
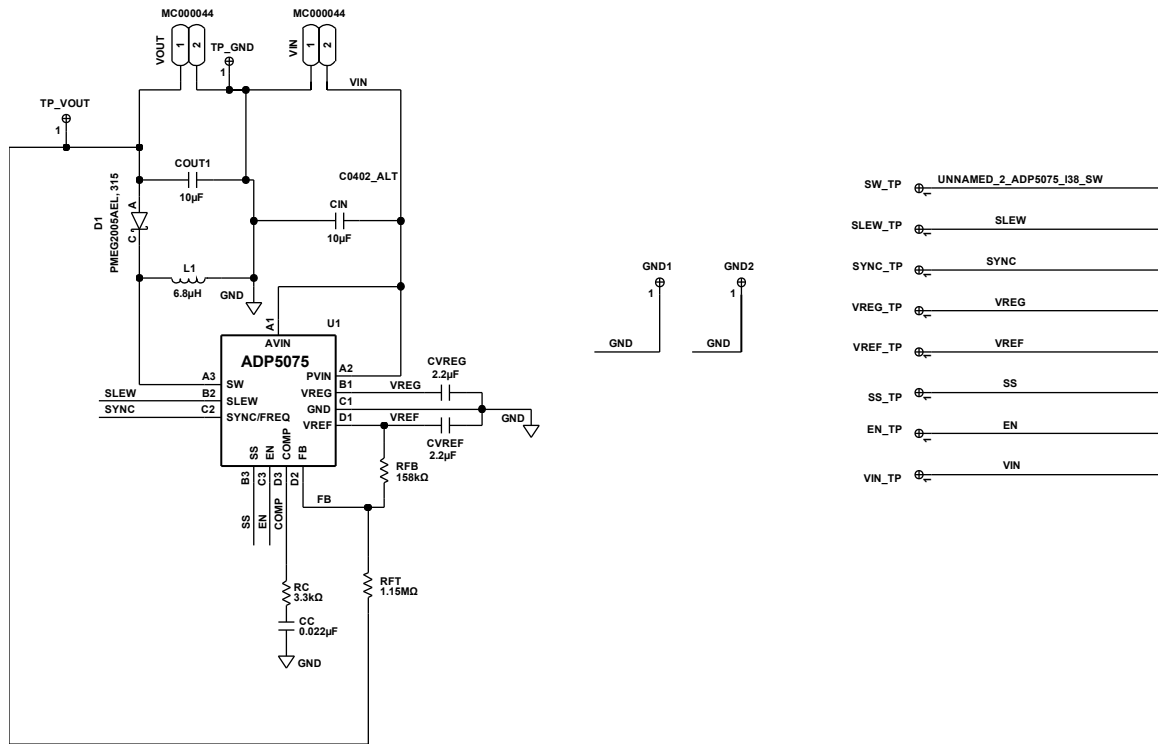


Figure 7. Evaluation Board Schematic for the ADP5075CB-EVALZ

15858-007

## ORDERING INFORMATION

## BILL OF MATERIALS

Table 2. ADP5075CB-EVALZ Evaluation Board Components

Component	Package	Description	Value	Tolerance	Voltage	Part Number <sup>1</sup>	Manufacturer
U1	12-ball WLCSP	ADP5075 dc-to-dc inverting regulator		N/A	N/A	ADP5075ACBZ-R7	Analog Devices, Inc.
COUT1	0603	Output capacitor	10 $\mu$ F	20%	6.3 V	GRM188R60J106ME84	Murata
L1		Inverting regulator inductor	6.8 $\mu$ H	20%	N/A	VLF252015MT-6R8M or EPL2014-682ML	TDK or Coilcraft
D1	SOD882	Inverting regulator diode	0.5 A	N/A	20 V	PMEG2005AEL,315	Nexperia
CC	0402	Inverting regulator compensation capacitor	0.022 $\mu$ F	10%	25 v	GRM155R71E223KA61D	Murata
RC	0402	Inverting regulator compensation resistor	3.3 k $\Omega$	1%	N/A		
RFT	0402	Top feedback resistor	1.15 M $\Omega$	1%	N/A		
RFB	0402	Bottom feedback resistor	158 k $\Omega$	1%	N/A		
RSS	0402	Soft start programming resistor	49.9 k $\Omega$	1%	N/A		
CIN	0603	Input capacitor	10 $\mu$ F	20%	6.3 V	GRM188R60J106ME84	Murata
CVREG	0402	Internal regulator capacitor	2.2 $\mu$ F	10%	6.3 V	GRM155R60J225KE95	Murata
CVREF	0402	Inverting regulator reference output capacitor	2.2 $\mu$ F	10%	6.3 V	GRM155R60J225KE95	Murata

<sup>1</sup> Any blank part number and manufacturer is a common part and any part number will work as long as the value and package are correct.

## NOTES

**ESD Caution**

**ESD (electrostatic discharge) sensitive device.** Charged devices and circuit boards can discharge without detection. Although this product features patented or proprietary protection circuitry, damage may occur on devices subjected to high energy ESD. Therefore, proper ESD precautions should be taken to avoid performance degradation or loss of functionality.

**Legal Terms and Conditions**

By using the evaluation board discussed herein (together with any tools, components documentation or support materials, the "Evaluation Board"), you are agreeing to be bound by the terms and conditions set forth below ("Agreement") unless you have purchased the Evaluation Board, in which case the Analog Devices Standard Terms and Conditions of Sale shall govern. Do not use the Evaluation Board until you have read and agreed to the Agreement. Your use of the Evaluation Board shall signify your acceptance of the Agreement. This Agreement is made by and between you ("Customer") and Analog Devices, Inc. ("ADI"), with its principal place of business at One Technology Way, Norwood, MA 02062, USA. Subject to the terms and conditions of the Agreement, ADI hereby grants to Customer a free, limited, personal, temporary, non-exclusive, non-sublicensable, non-transferable license to use the Evaluation Board FOR EVALUATION PURPOSES ONLY. Customer understands and agrees that the Evaluation Board is provided for the sole and exclusive purpose referenced above, and agrees not to use the Evaluation Board for any other purpose. Furthermore, the license granted is expressly made subject to the following additional limitations: Customer shall not (i) rent, lease, display, sell, transfer, assign, sublicense, or distribute the Evaluation Board; and (ii) permit any Third Party to access the Evaluation Board. As used herein, the term "Third Party" includes any entity other than ADI, Customer, their employees, affiliates and in-house consultants. The Evaluation Board is NOT sold to Customer; all rights not expressly granted herein, including ownership of the Evaluation Board, are reserved by ADI. CONFIDENTIALITY. This Agreement and the Evaluation Board shall all be considered the confidential and proprietary information of ADI. Customer may not disclose or transfer any portion of the Evaluation Board to any other party for any reason. Upon discontinuation of use of the Evaluation Board or termination of this Agreement, Customer agrees to promptly return the Evaluation Board to ADI. ADDITIONAL RESTRICTIONS. Customer may not disassemble, decompile or reverse engineer chips on the Evaluation Board. Customer shall inform ADI of any occurred damages or any modifications or alterations it makes to the Evaluation Board, including but not limited to soldering or any other activity that affects the material content of the Evaluation Board. Modifications to the Evaluation Board must comply with applicable law, including but not limited to the RoHS Directive. TERMINATION. ADI may terminate this Agreement at any time upon giving written notice to Customer. Customer agrees to return to ADI the Evaluation Board at that time. LIMITATION OF LIABILITY. THE EVALUATION BOARD PROVIDED HEREUNDER IS PROVIDED "AS IS" AND ADI MAKES NO WARRANTIES OR REPRESENTATIONS OF ANY KIND WITH RESPECT TO IT. ADI SPECIFICALLY DISCLAIMS ANY REPRESENTATIONS, ENDORSEMENTS, GUARANTEES, OR WARRANTIES, EXPRESS OR IMPLIED, RELATED TO THE EVALUATION BOARD INCLUDING, BUT NOT LIMITED TO, THE IMPLIED WARRANTY OF MERCHANTABILITY, TITLE, FITNESS FOR A PARTICULAR PURPOSE OR NON-INFRINGEMENT OF INTELLECTUAL PROPERTY RIGHTS. IN NO EVENT WILL ADI AND ITS LICENSORS BE LIABLE FOR ANY INCIDENTAL, SPECIAL, INDIRECT, OR CONSEQUENTIAL DAMAGES RESULTING FROM CUSTOMER'S POSSESSION OR USE OF THE EVALUATION BOARD, INCLUDING BUT NOT LIMITED TO LOST PROFITS, DELAY COSTS, LABOR COSTS OR LOSS OF GOODWILL. ADI'S TOTAL LIABILITY FROM ANY AND ALL CAUSES SHALL BE LIMITED TO THE AMOUNT OF ONE HUNDRED US DOLLARS (\$100.00). EXPORT. Customer agrees that it will not directly or indirectly export the Evaluation Board to another country, and that it will comply with all applicable United States federal laws and regulations relating to exports. GOVERNING LAW. This Agreement shall be governed by and construed in accordance with the substantive laws of the Commonwealth of Massachusetts (excluding conflict of law rules). Any legal action regarding this Agreement will be heard in the state or federal courts having jurisdiction in Suffolk County, Massachusetts, and Customer hereby submits to the personal jurisdiction and venue of such courts. The United Nations Convention on Contracts for the International Sale of Goods shall not apply to this Agreement and is expressly disclaimed.