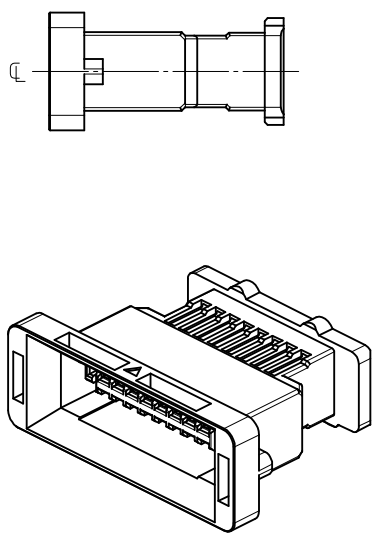
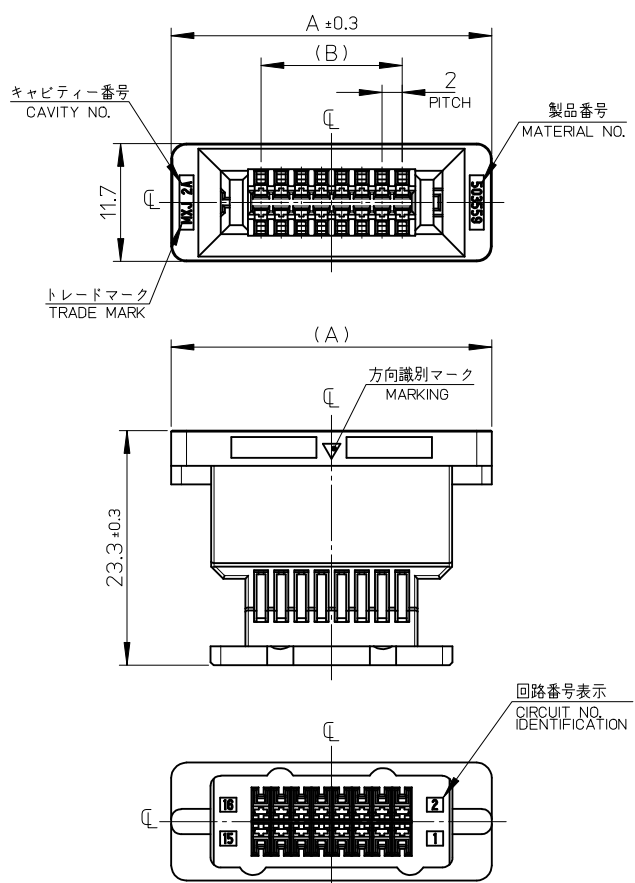
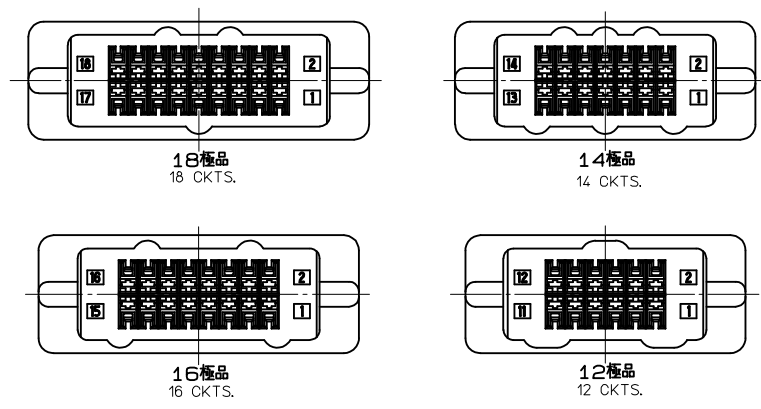


10 9 8 7 6 5 4 3 2 1



嵌合キー形状違い



注記:
NOTES

- 材質: ポリブチレンテレフタレート (PBT)、ガラス充填、UL94V-0、黒色
MATERIAL: POLYBUTYLENE TEREPHTHALATE (PBT), GLASS FILLED, UL94V-0, BLACK
- 嵌合相手: 503557-**00
MATING CONNECTOR: 503557-**00
- 適合圧着端子: 503561-****
APPLICABLE CRIMP TERMINAL: 503561-****
- 適合プラグアダプター: 503560-**00
APPLICABLE PLUG ADAPTOR: 503560-**00
- 製品仕様及び取り扱いについては、製品仕様書PS-503557-001及び、コネクタ取扱説明書AS-503557-001を参照願います。
PLEASE REFER TO PRODUCTS SPECIFICATION PS-503557-001 AND USER'S MANUAL AS-503557-001.
- ELV及びRoHS適合品。
ELV AND RoHS COMPLIANT.

16	33.8	503559-1800	503559-**00	18
14	31.8	503559-1600		16
12	29.8	503559-1400		14
10	27.8	503559-1200		12
B	A	PLASTIC BAG オーダー番号 ORDER No.	MODEL NO.	極数 CIRCUITS

REVISED EC NO.: J2016-0130 DRWN: YAJI MA01 2015/07/27 CHKD: KASAKAWA 2015/08/05 APPR: NUKITA 2015/08/25	GENERAL TOLERANCES (UNLESS SPECIFIED)		DIMENSION STYLE		SCALE		DESIGN UNITS		THIRD ANGLE PROJECTION		
	0.25 UNDER ±0.03		MM ONLY		2:1		METRIC		DRAWN BY DATE		
	0.25 OVER 0.5 UNDER ±0.05		DRAWN BY DATE		2:1		METRIC		TITLE		
	0.5 OVER 1.0 UNDER ±0.1		CHECKED BY DATE		2:1		METRIC		2.0 FLOATING CONN. PLUG HS'G		
	1.0 OVER 10 UNDER ±0.2		APPROVED BY DATE		2:1		METRIC				
	30 OVER ±0.25		APPROVED BY DATE		2:1		METRIC				
ANGULAR ±1 °		MATERIAL NO.		DRAWN BY DATE		SCALE		DESIGN UNITS		THIRD ANGLE PROJECTION	
DRAFT WHERE APPLICABLE MUST REMAIN WITHIN DIMENSIONS		SEE CHART		2:1		2:1		METRIC		DOCUMENT NO. SD-503559-001 SHEET NO. 1 OF 1	

9 8 7 6 5 4 3 2 1