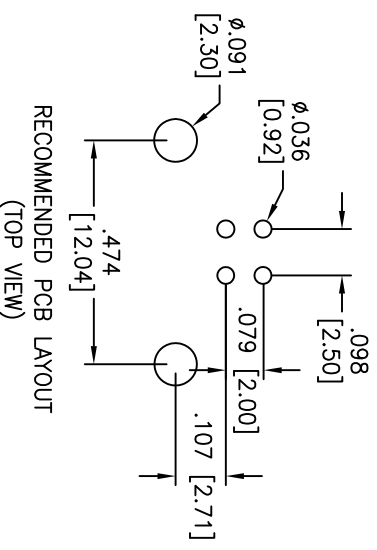
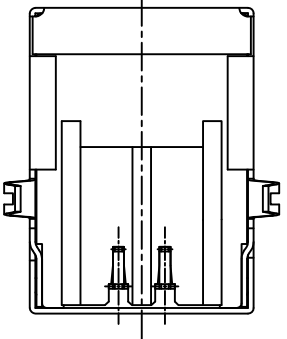
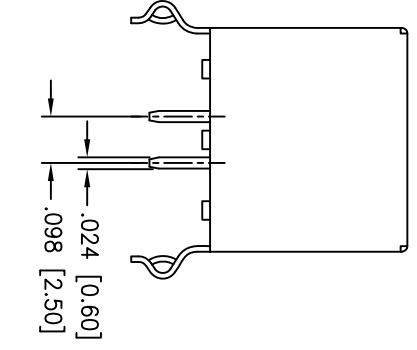
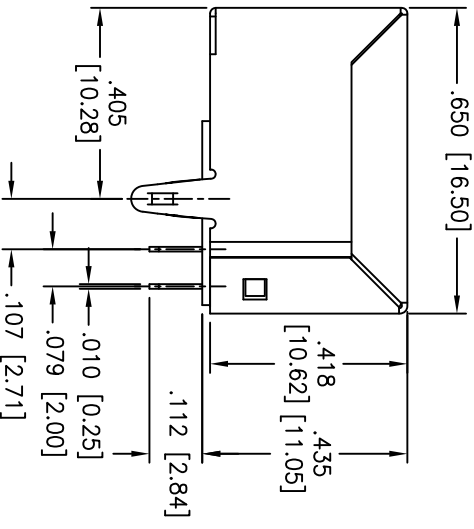
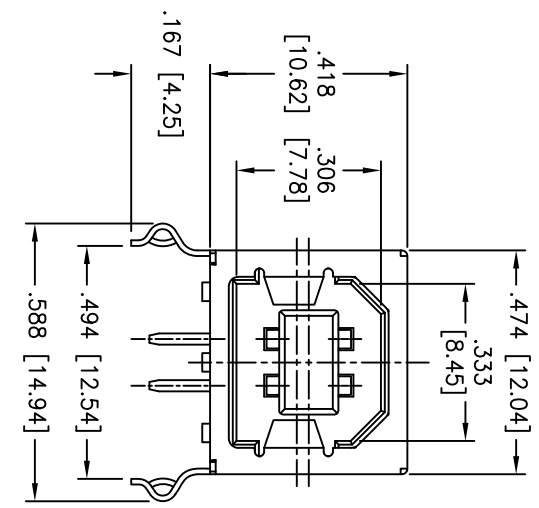


Rev	AWO #	Description	Date	Appr
-		RELEASED	5/12/10	

APPROVED: \_\_\_\_\_ TITLE: \_\_\_\_\_  
 DATE: \_\_\_\_\_



**SPECIFICATIONS:**  
**Material:**  
 Insulator: PBT, glass filled, rated UL 94V-0  
 Insulator color: White  
 Contacts: Phosphor Bronze  
 Shell: SPCC, Nickel plated  
 Plating:  
 Gold flash over Nickel underplate on contact area,  
 Tin over Copper underplate on PCB tails  
**Electrical:**  
 Operating voltage: 30 VAC  
 Current rating: 1.5 Amp @ 250V AC  
 Contact resistance: 30 mohms max  
 Insulation resistance: 1000 Mohms min  
 Dielectric withstanding voltage: 500 VAC for 1 minute  
 Temperature Rating:  
 Operating temperature: -20°C to +60°C  
**Environmental:**  
 Lead free, RoHS compliant.



UNLESS OTHERWISE SPECIFIED ALL DIMENSIONS ARE MM [INCHES] TOLERANCES: EXCEPT AS NOTED	
INCHES	HOLES
.X ± .10	ØX ± .10
.XX ± .020	ØXX ± .015
.XXX ± .015	ØXXX ± .010
APPROVALS	DATE
DRAWN	DY
CHECKED	5/12/10
APPROVED	

**ADAM TECH**  
 909 Rahway Avenue, Union, NJ 07083  
 Phone: 908-687-5000 Fax: 908-687-5710

TITLE: USB, TYPE B, SINGLE PORT, RIGHT ANGLE, THRU-HOLE, COLOR WHITE, SPCC SHELL

REF: S00015C

SIZE	PART NO.	SCALE	SHEET
X	USB-B-S-RA-WT-SPCC	NIS	1 OF 1