

K2G Audio Daughter Card Quick Start Guide



Welcome to the K2G Audio Daughter Card Quick Start Guide. This guide is designed to help you through the initial setup of the K2G Audio Daughter Card.

The K2G Audio Daughter Card allows users to prototype and develop multichannel audio applications, such as A/V receivers, automotive amplifier systems and mixing consoles.

The system provides the following I/O capabilities:

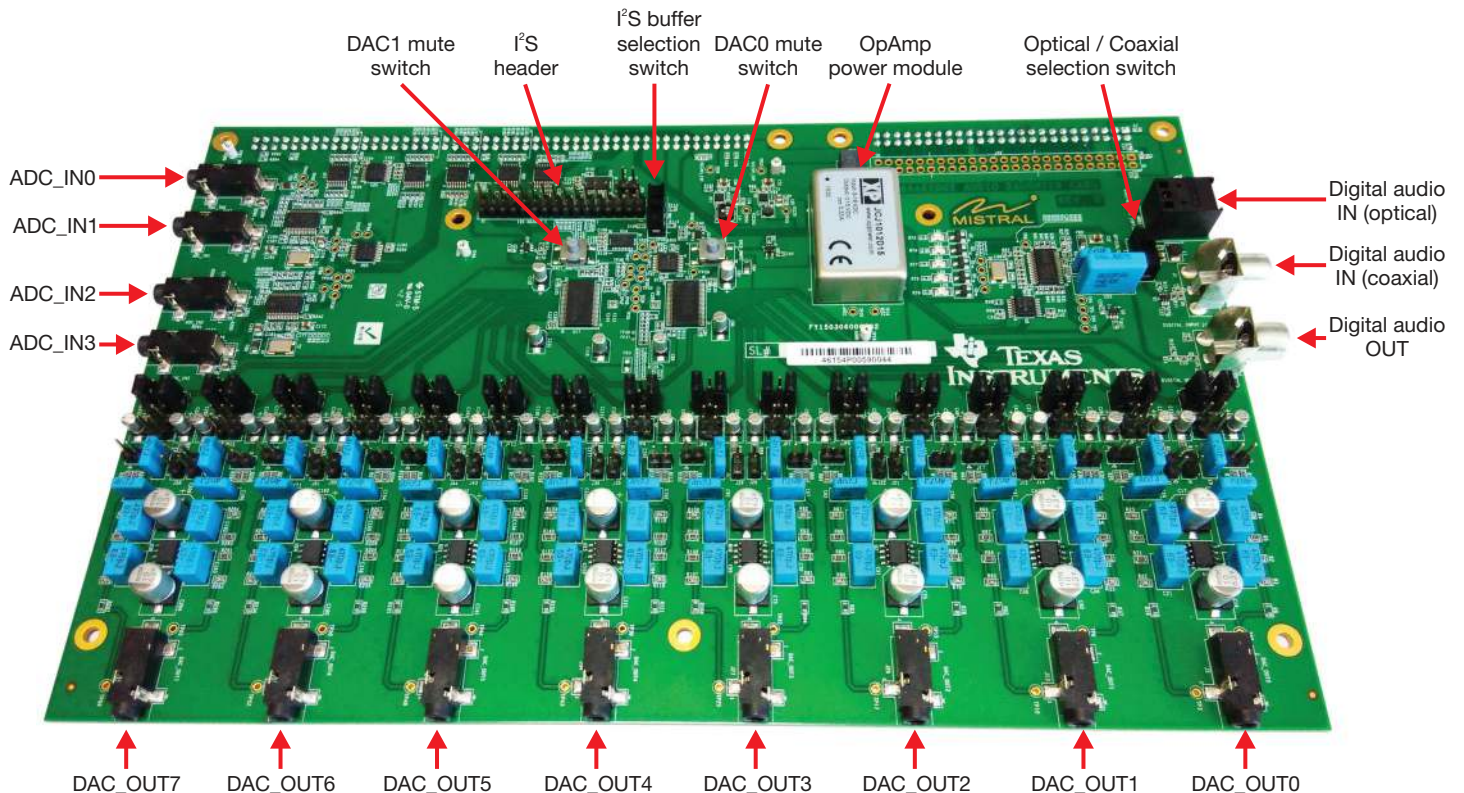
- Eight channels of analog output

- Sixteen channels of analog output
- S/PDIF input (optical or coaxial)
- S/PDIF output

The K2G Audio Daughter Card contains the following:

Printed documents

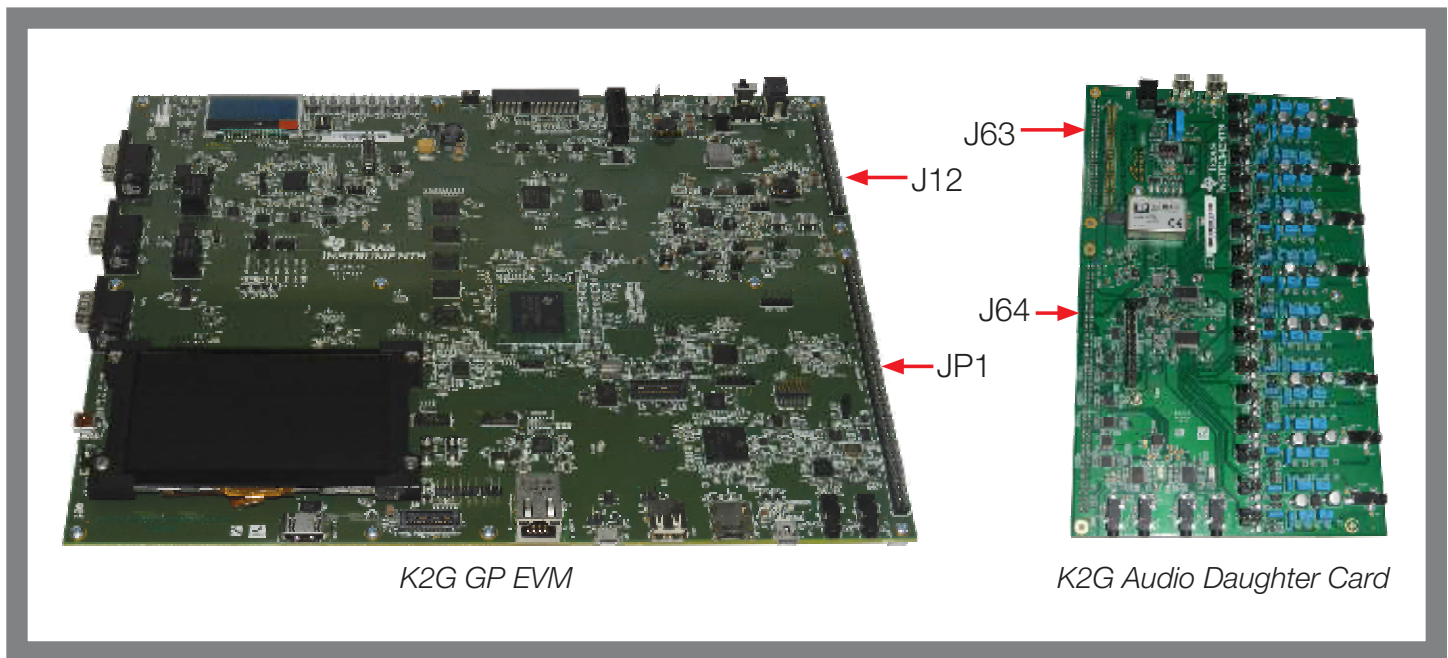
1. K2G Audio Daughter Card Quick Start Guide (this document)
2. Mechanical instruction document



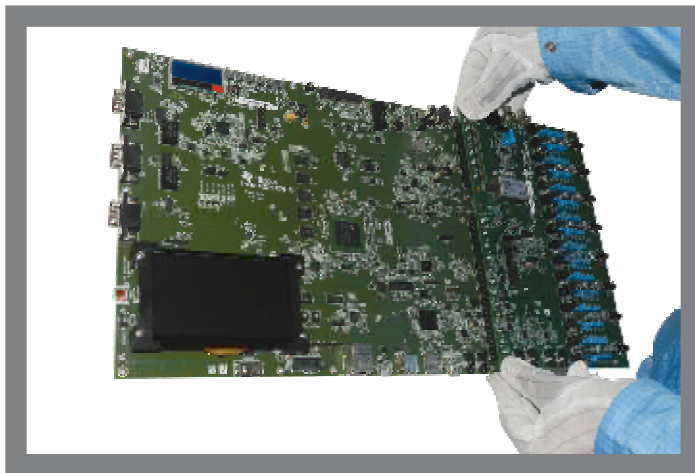
K2G Audio Daughter Card

Default setup

Note: Please follow the included mechanical instruction document to avoid board warpage.

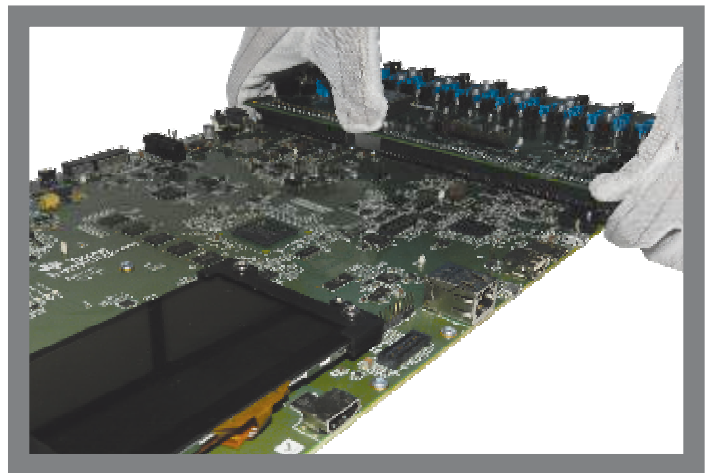


1 Connecting the K2G Audio Daughter Card to the K2G general-purpose (GP) EVM.



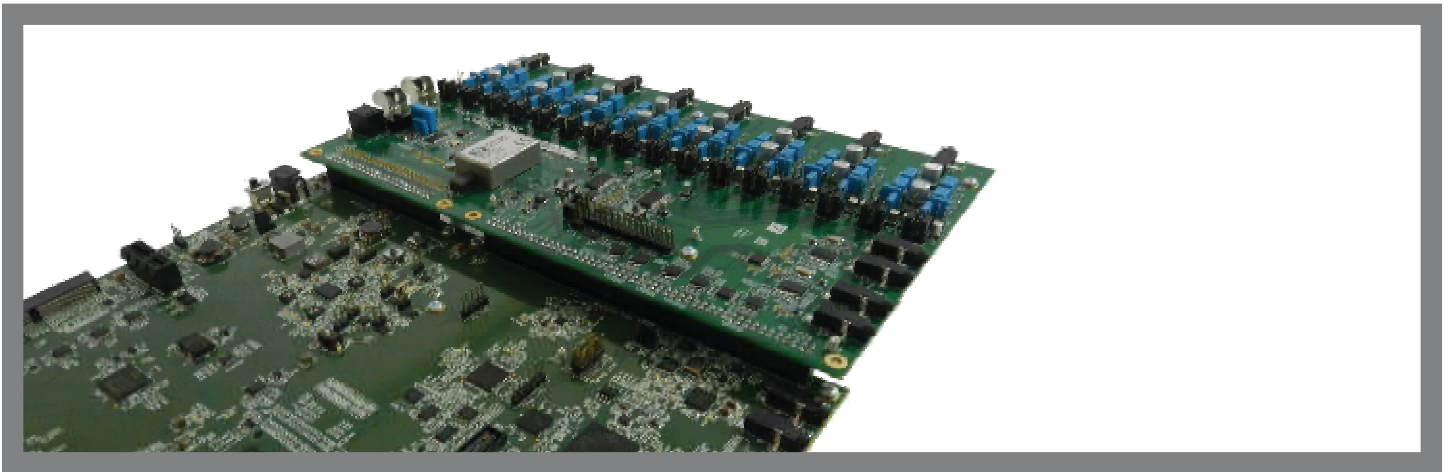
2 Mounting the Audio Daughter Card onto the K2G GP EVM:

- Align the pins of daughter card (J63 and J64) with the main card (J12 and JP1) respectively: See image above and press gently to mate the connectors at the corners.

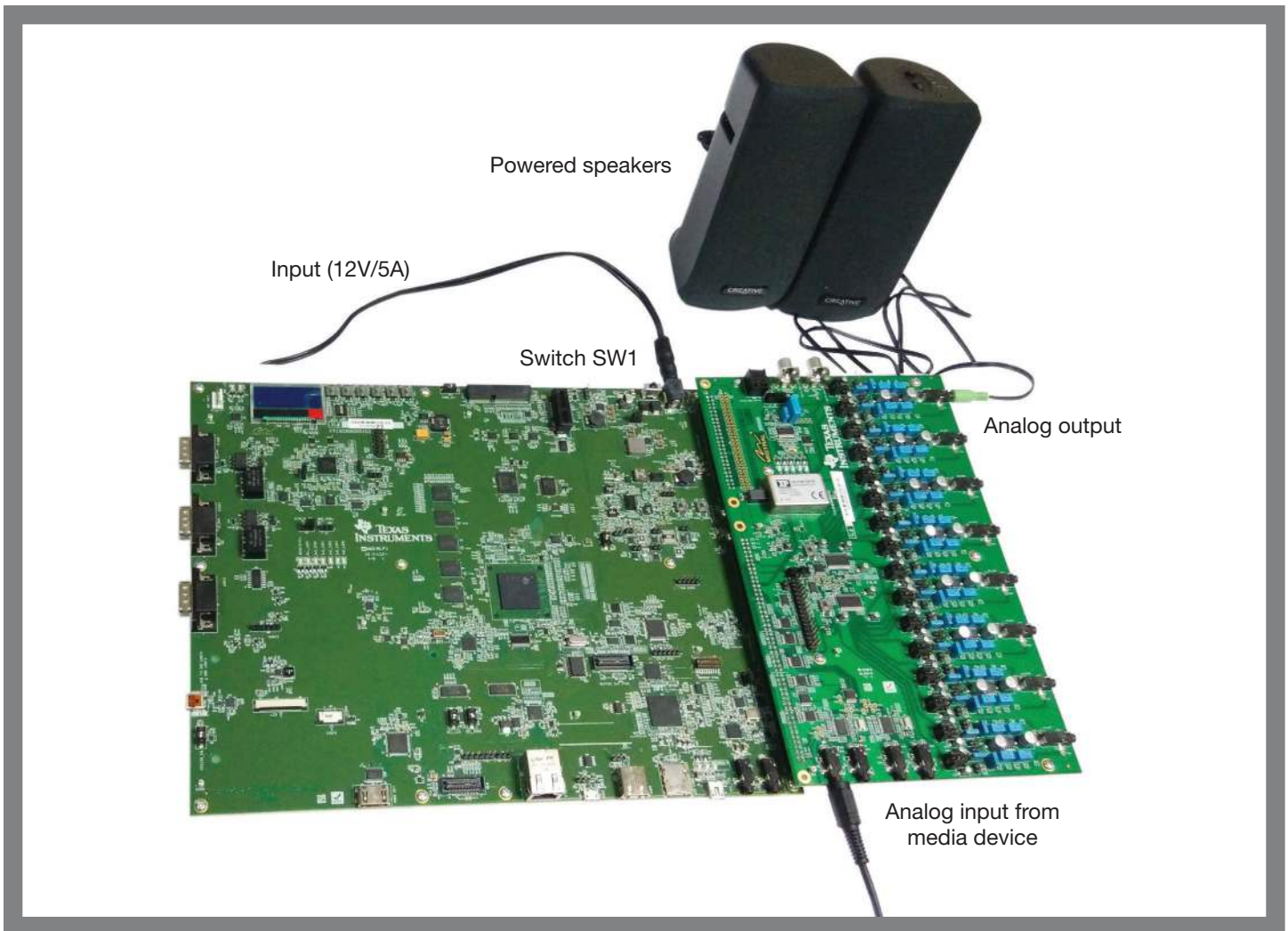


3 Mounting the Audio Daughter Card onto the K2G GP EVM (continued):

- Press the Audio Daughter Card connectors in the middle carefully to ensure mating at the center. See image above.
- Apply pressure on middle and the sides evenly to ensure proper mating of the connectors.



4 The board looks as shown after mating the K2G GP EVM and Audio Daughter Card.



5 Powering the K2G Audio Daughter Card:

- The K2G Audio Daughter Card is powered from the K2G GP EVM through the expansion connectors. After mounting the Audio Daughter Card and connecting all audio sources/speakers, connect the 12V/5A adapter to the J3 connector on the main board. Slide the switch SW1 on the GP EVM into the ON position. Once the GP EVM has booted, it is safe to turn ON any powered speakers.

TI Worldwide Technical Support

Internet

TI Semiconductor Product Information Center Home Page

support.ti.com

TI E2E™ Community Home Page

e2e.ti.com

Product Information Centers

| | | |
|-----------------|----------------|--------------------------------------------------------------------------------------------|
| Americas | Phone | +1(512) 434-1560 |
| Brazil | Phone | 0800-891-2616 |
| Mexico | Phone | 0800-670-7544 |
| | Fax | +1(972) 927-6377 |
| | Internet/Email | support.ti.com/sc/pic/americas.htm |

Europe, Middle East, and Africa

| | |
|--------------------|--------------------------------------|
| Phone | |
| European Free Call | 00800-ASK-TEXAS (00800 275 83927) |
| International | +49 (0) 8161 80 2121 |
| Russian Support | +7 (4) 95 98 10 701 |

Note: The European Free Call (Toll Free) number is not active in all countries. If you have technical difficulty calling the free call number, please use the international number above.

| | |
|--------------|--------------------------------------------------------------|
| Fax | + (49) (0) 8161 80 2045 |
| Internet | www.ti.com/asktexas |
| Direct Email | asktexas@ti.com |

Japan

| | | |
|----------------|---------------|--------------------------------------------------------------------------------------|
| Fax | International | +81-3-3344-5317 |
| | Domestic | 0120-81-0036 |
| Internet/Email | International | support.ti.com/sc/pic/japan.htm |
| | Domestic | www.tij.co.jp/pic |

Asia

| Phone | Toll-Free Number |
|----------------------------------------------------------------------|----------------------------------------------------------------------------------------------------------|
| Note: Toll-free numbers may not support mobile and IP phones. | |
| Australia | 1-800-999-084 |
| China | 800-820-8682 |
| Hong Kong | 800-96-5941 |
| India | 000-800-100-8888 |
| Indonesia | 001-803-8861-1006 |
| Korea | 080-551-2804 |
| Malaysia | 1-800-80-3973 |
| New Zealand | 0800-446-934 |
| Philippines | 1-800-765-7404 |
| Singapore | 800-886-1028 |
| Taiwan | 0800-006800 |
| Thailand | 001-800-886-0010 |
| International | +86-21-23073444 |
| Fax | +86-21-23073686 |
| Email | tiasia@ti.com or ti-china@ti.com |
| Internet | support.ti.com/sc/pic/asia.htm |

Important Notice: The products and services of Texas Instruments Incorporated and its subsidiaries described herein are sold subject to TI's standard terms and conditions of sale. Customers are advised to obtain the most current and complete information about TI products and services before placing orders. TI assumes no liability for applications assistance, customer's applications or product designs, software performance, or infringement of patents. The publication of information regarding any other company's products or services does not constitute TI's approval, warranty or endorsement thereof.

A021014

The platform bar and E2E are trademarks of Texas Instruments. All other trademarks are the property of their respective owners.

IMPORTANT NOTICE

Texas Instruments Incorporated and its subsidiaries (TI) reserve the right to make corrections, enhancements, improvements and other changes to its semiconductor products and services per JESD46, latest issue, and to discontinue any product or service per JESD48, latest issue. Buyers should obtain the latest relevant information before placing orders and should verify that such information is current and complete. All semiconductor products (also referred to herein as "components") are sold subject to TI's terms and conditions of sale supplied at the time of order acknowledgment.

TI warrants performance of its components to the specifications applicable at the time of sale, in accordance with the warranty in TI's terms and conditions of sale of semiconductor products. Testing and other quality control techniques are used to the extent TI deems necessary to support this warranty. Except where mandated by applicable law, testing of all parameters of each component is not necessarily performed.

TI assumes no liability for applications assistance or the design of Buyers' products. Buyers are responsible for their products and applications using TI components. To minimize the risks associated with Buyers' products and applications, Buyers should provide adequate design and operating safeguards.

TI does not warrant or represent that any license, either express or implied, is granted under any patent right, copyright, mask work right, or other intellectual property right relating to any combination, machine, or process in which TI components or services are used. Information published by TI regarding third-party products or services does not constitute a license to use such products or services or a warranty or endorsement thereof. Use of such information may require a license from a third party under the patents or other intellectual property of the third party, or a license from TI under the patents or other intellectual property of TI.

Reproduction of significant portions of TI information in TI data books or data sheets is permissible only if reproduction is without alteration and is accompanied by all associated warranties, conditions, limitations, and notices. TI is not responsible or liable for such altered documentation. Information of third parties may be subject to additional restrictions.

Resale of TI components or services with statements different from or beyond the parameters stated by TI for that component or service voids all express and any implied warranties for the associated TI component or service and is an unfair and deceptive business practice. TI is not responsible or liable for any such statements.

Buyer acknowledges and agrees that it is solely responsible for compliance with all legal, regulatory and safety-related requirements concerning its products, and any use of TI components in its applications, notwithstanding any applications-related information or support that may be provided by TI. Buyer represents and agrees that it has all the necessary expertise to create and implement safeguards which anticipate dangerous consequences of failures, monitor failures and their consequences, lessen the likelihood of failures that might cause harm and take appropriate remedial actions. Buyer will fully indemnify TI and its representatives against any damages arising out of the use of any TI components in safety-critical applications.

In some cases, TI components may be promoted specifically to facilitate safety-related applications. With such components, TI's goal is to help enable customers to design and create their own end-product solutions that meet applicable functional safety standards and requirements. Nonetheless, such components are subject to these terms.

No TI components are authorized for use in FDA Class III (or similar life-critical medical equipment) unless authorized officers of the parties have executed a special agreement specifically governing such use.

Only those TI components which TI has specifically designated as military grade or "enhanced plastic" are designed and intended for use in military/aerospace applications or environments. Buyer acknowledges and agrees that any military or aerospace use of TI components which have **not** been so designated is solely at the Buyer's risk, and that Buyer is solely responsible for compliance with all legal and regulatory requirements in connection with such use.

TI has specifically designated certain components as meeting ISO/TS16949 requirements, mainly for automotive use. In any case of use of non-designated products, TI will not be responsible for any failure to meet ISO/TS16949.

Products

| | |
|------------------------------|--------------------------------------------------------------------------------------|
| Audio | www.ti.com/audio |
| Amplifiers | amplifier.ti.com |
| Data Converters | dataconverter.ti.com |
| DLP® Products | www.dlp.com |
| DSP | dsp.ti.com |
| Clocks and Timers | www.ti.com/clocks |
| Interface | interface.ti.com |
| Logic | logic.ti.com |
| Power Mgmt | power.ti.com |
| Microcontrollers | microcontroller.ti.com |
| RFID | www.ti-rfid.com |
| OMAP Applications Processors | www.ti.com/omap |
| Wireless Connectivity | www.ti.com/wirelessconnectivity |

Applications

| | |
|-------------------------------|------------------------------------------------------------------------------------------|
| Automotive and Transportation | www.ti.com/automotive |
| Communications and Telecom | www.ti.com/communications |
| Computers and Peripherals | www.ti.com/computers |
| Consumer Electronics | www.ti.com/consumer-apps |
| Energy and Lighting | www.ti.com/energy |
| Industrial | www.ti.com/industrial |
| Medical | www.ti.com/medical |
| Security | www.ti.com/security |
| Space, Avionics and Defense | www.ti.com/space-avionics-defense |
| Video and Imaging | www.ti.com/video |

TI E2E Community

e2e.ti.com