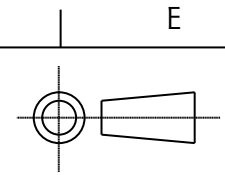


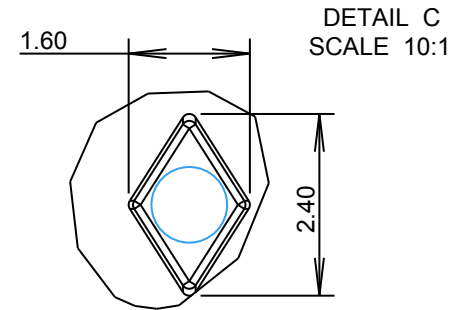
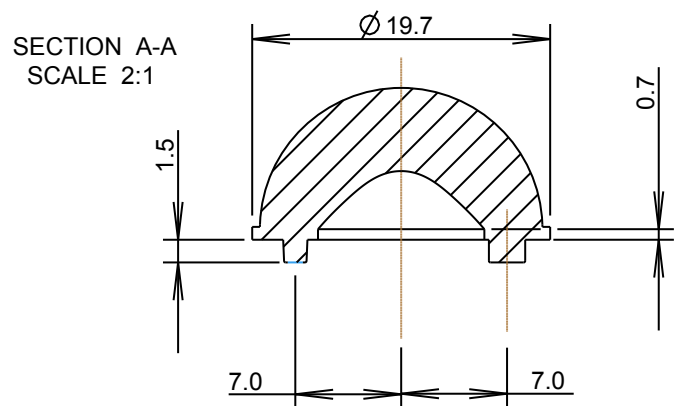
ISS.	DATE	E.C.N.	DESCRIPTION
1	5-Mar-09		FIRST ISSUE

© 2006 CARCLO  
ALL DIMENSIONS IN mm



CARCLO TECHNICAL PLASTICS (SLOUGH)  
111 BUCKINGHAM AVE, SLOUGH  
SL1 4PF, ENGLAND  
TEL: +44 1753 575011 FAX: +44 1753 811359  
e-mail: design@carclo-optics.com}

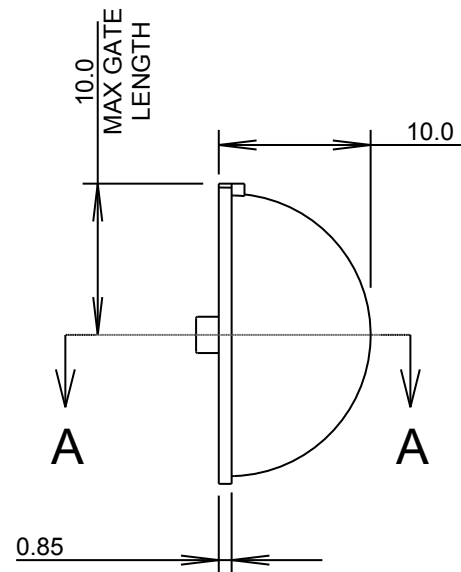
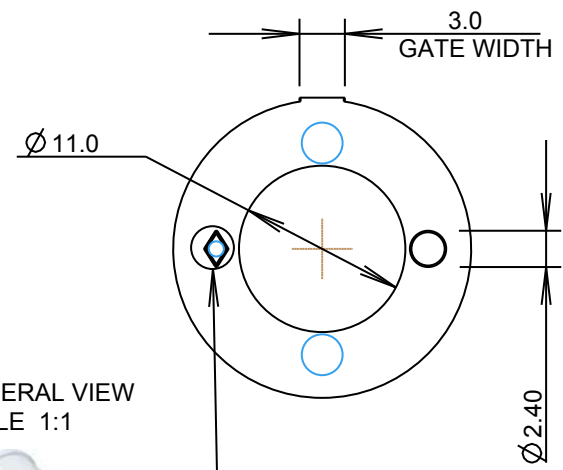
CUSTOMER DRAWING



GENERAL TOLERANCES (UNLESS STATED)

LINEAR	ANGULAR
X +/- 0.25	X +/- 1°
X.X +/- 0.1	X.X +/- 0.5°
X.XX +/- 0.05	X.XX +/- 0.1°

CUSTOMER: CARCLO  
TITLE: DOWNLIGHT BUBBLE OPTIC



DRAWN: AJD DATE: 5-Mar-09  
CHK'D: DATE:  
APP'D: DATE:

3D GENERAL VIEW SCALE 1:1



DIAMOND DOWEL  
SEE DETAIL C

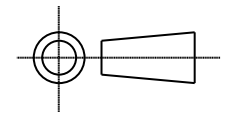
MATERIAL: POLYCARBONATE

SCALE: 2:1 CARCLO PART No.: 10628

SIZE: A4 CARCLO DRG. No.: 60586 SHEET: 1 OF 2

ISS.	DATE	E.C.N.	DESCRIPTION
1	5-Mar-09		FIRST ISSUE

© 2006 CARCLO  
ALL DIMENSIONS IN mm



CARCLO TECHNICAL PLASTICS (SLOUGH)  
111 BUCKINGHAM AVE, SLOUGH  
SL1 4PF, ENGLAND  
TEL: +44 1753 575011 FAX: +44 1753 811359  
e-mail: design@carclo-optics.com}

## PCB GLUE PAD AND ALIGNMENT HOLE LAYOUT DIMENSIONS

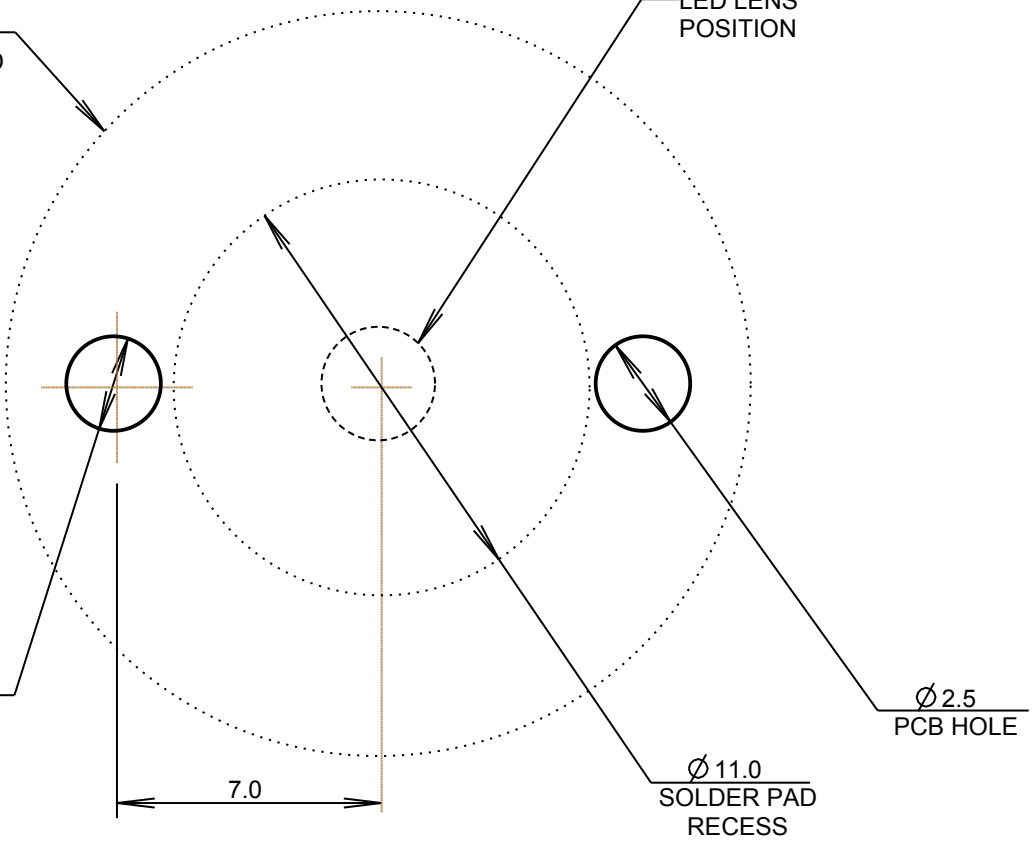
### GENERAL TOLERANCES (UNLESS STATED)

LINEAR	ANGULAR
X +/- 0.25	X +/- 1°
X.X +/- 0.1	X.X +/- 0.5°
X.XX +/- 0.05	X.XX +/- 0.1°

CUSTOMER		
CARCLO		
TITLE		
DOWNLIGHT BUBBLE OPTIC		
DRAWN	DATE	
AJD	5-Mar-09	
CHK'D	DATE	
APP'D	DATE	
SCALE	CARCLO PART No.	
5:1	10628	
SIZE	CARCLO DRG. No.	SHEET
A4	60586	2 OF 2

Ø 19.7  
GLUE PAD

LED LENS  
POSITION



Ø 2.5  
PCB HOLE

Ø 2.5  
PCB HOLE

Ø 11.0  
SOLDER PAD  
RECESS

7.0

NOTE: THE CLOSEST THAT TWO OR MORE LENSES CAN BE PLACED TOGETHER WITHOUT OBSCURATION IS 27MM BETWEEN CENTRES.