

ENVELOPE / ASSEMBLY DRAWING

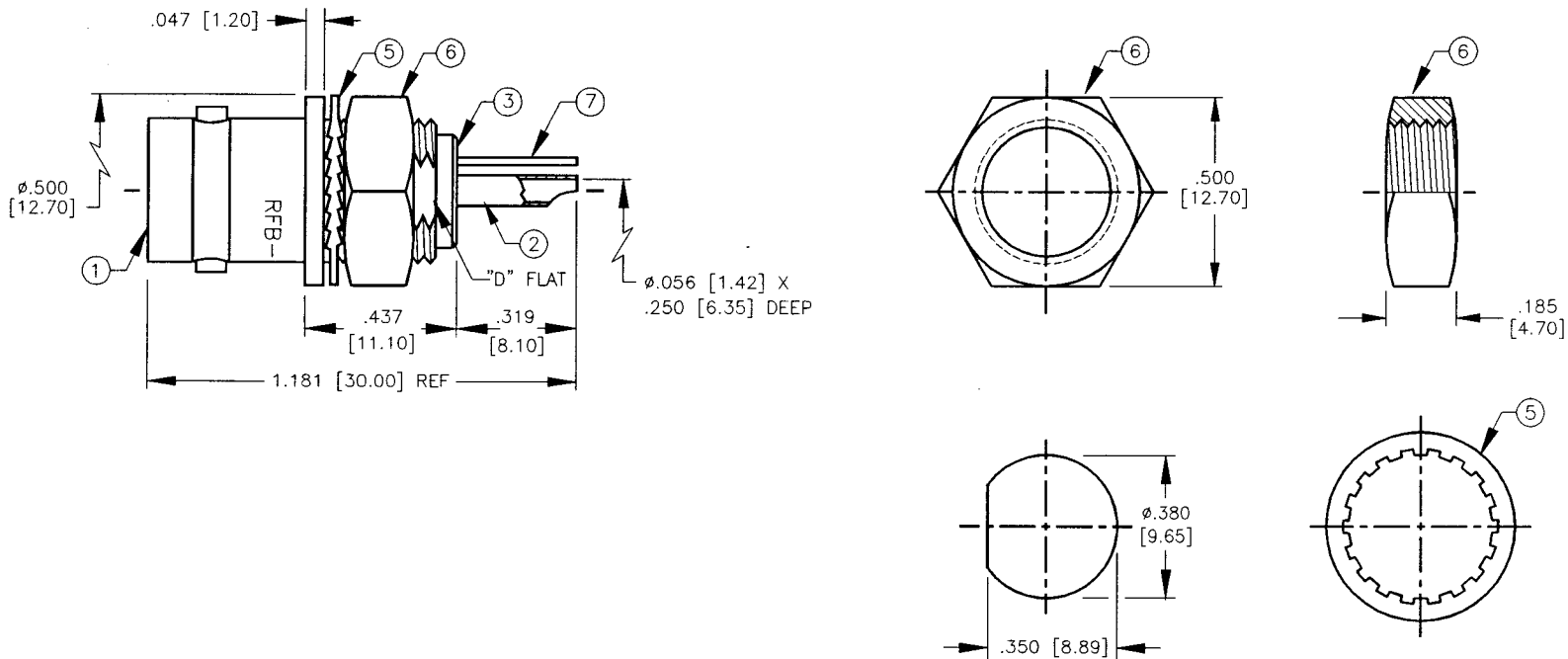
008974

SPECIFICATION CONTROL DRAWING

THIS DRAWING CONTAINS INFORMATION PROPRIETARY TO RF INDUSTRIES, LTD. ANY UNAUTHORIZED USE OF THIS DRAWING IS EXPRESSLY PROHIBITED. ANY VIOLATION IS PUNISHABLE UNDER U.S. COPYRIGHT LAWS.

REV	DESCRIPTION	DWN	DATE	APPROVED
A	ENGINEERING RELEASE	DM	11/20/92	J. BENZ
B	CREATE ENVELOPE DRAWING	CZS	10/15/97	P. COLCHIN

ALL DIMENSIONS ARE REFERENCE ONLY



SUGGESTED MOUNTING CONFIGURATION

SPECIFICATIONS:

IMPEDANCE: 75 OHMS
 WORKING VOLTAGE: 500 VRMS @ SEA LEVEL
 FREQUENCY RANGE: 0-4 GHz
 (D) FOR RG-59, 59A, 59B, 62, 62A, 62C 71, 140 & 210/U, BELDEN 8221, 8241, 8241A, 8254, 8255, 8263, 9169, 9204, 9228, 9244, 9269 & 9862 CABLE
 (G) FOR BELDEN 8281, 8281B, 8281F, 9231 & WE 724 CABLE

DIMENSIONS ARE IN INCHES AND [MILLIMETERS]
 UNLESS OTHERWISE NOTED TOLERANCES ARE:
 DECIMALS DIAMETER

RF connectors
 DIVISION OF RF INDUSTRIES, LTD.

7610 MIRAMAR RD
 SAN DIEGO, CA 92126
 (619)549-6340
 (619)549-6345 FAX

ITEM	DESCRIPTION	QTY	MATERIAL	FINISH
7	SPADE TERMINAL	1	BRASS	TIN
6	HEX NUT (HEX-375-32E)	1	BRASS	NICKEL
5	LOCK WASHER (LKW-380)	1	BRASS	NICKEL
4	PRESS FIT WASHER	1	BRASS	NICKEL
3	DIELECTRIC	1	ABS PLASTIC	WHITE
2	CONTACT	1	PHOS BRONZE	GOLD
1	BODY	1	BRASS	NICKEL

DRAWN C. ZUNIGA	10/15/97
CHECKED <i>C. Zuniga</i>	10/15/97
ORJ DRAWN D. MORRIS	11/20/92

RFB-1716-I			
BNC FEMALE BULKHEAD WITH INSULATED BODY, FRONT MOUNT, 75 OHMS			
SIZE A	CABLE GROUP D, G	DWG NO. 7834	REV B