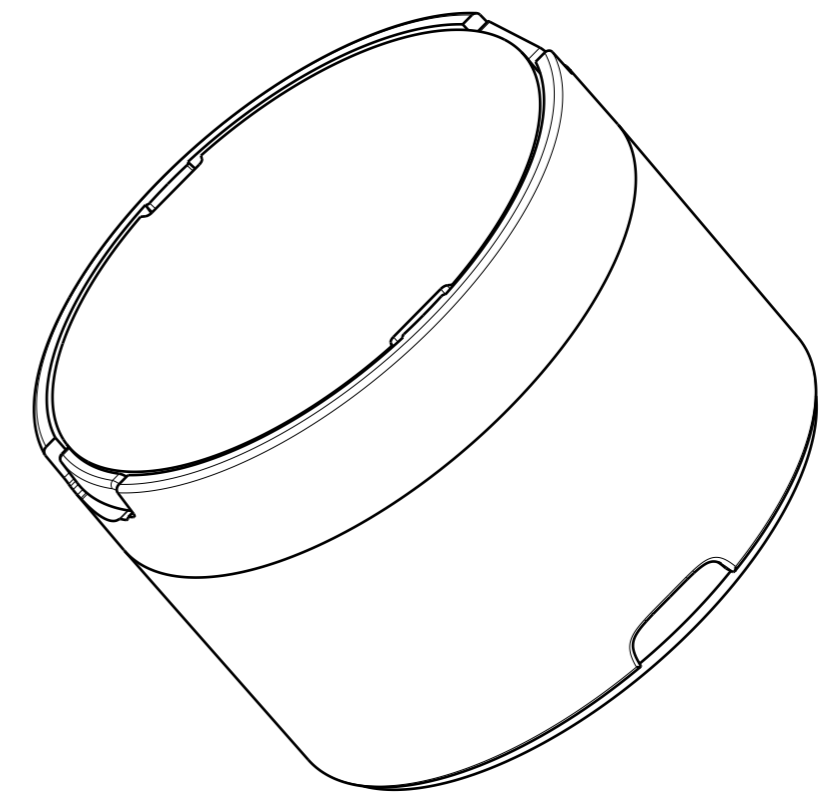
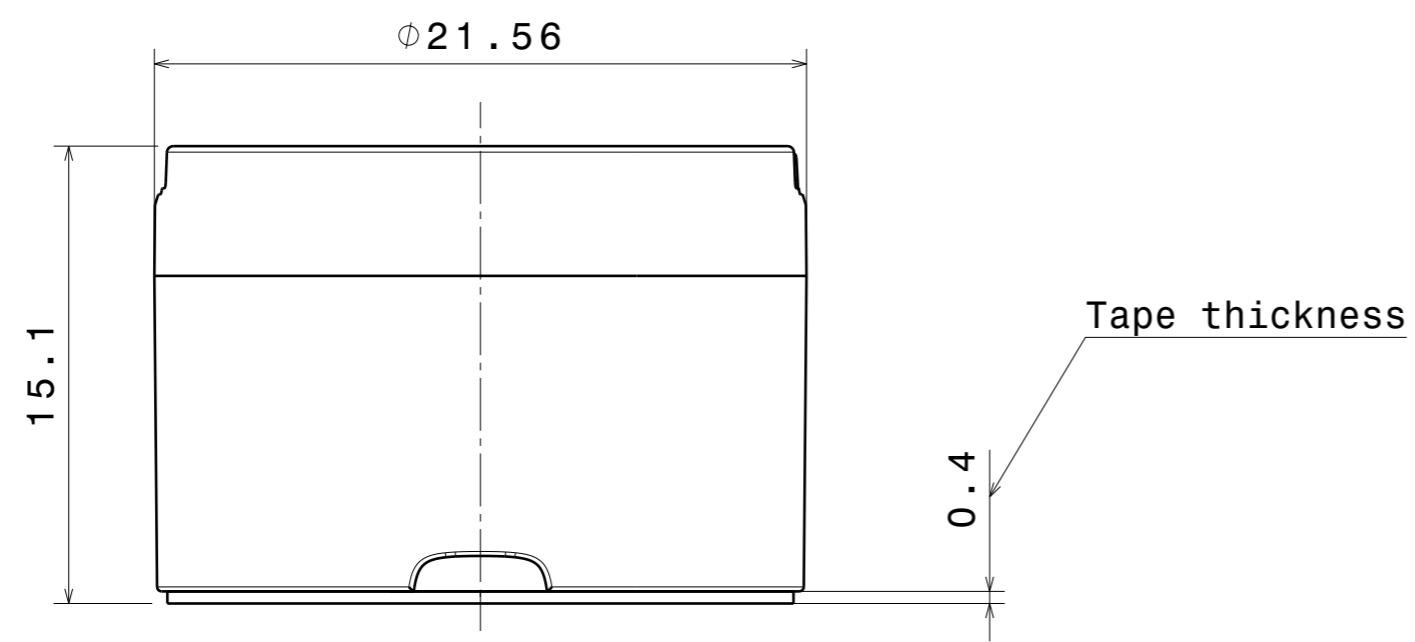


H G F E D C B A

4

4



3

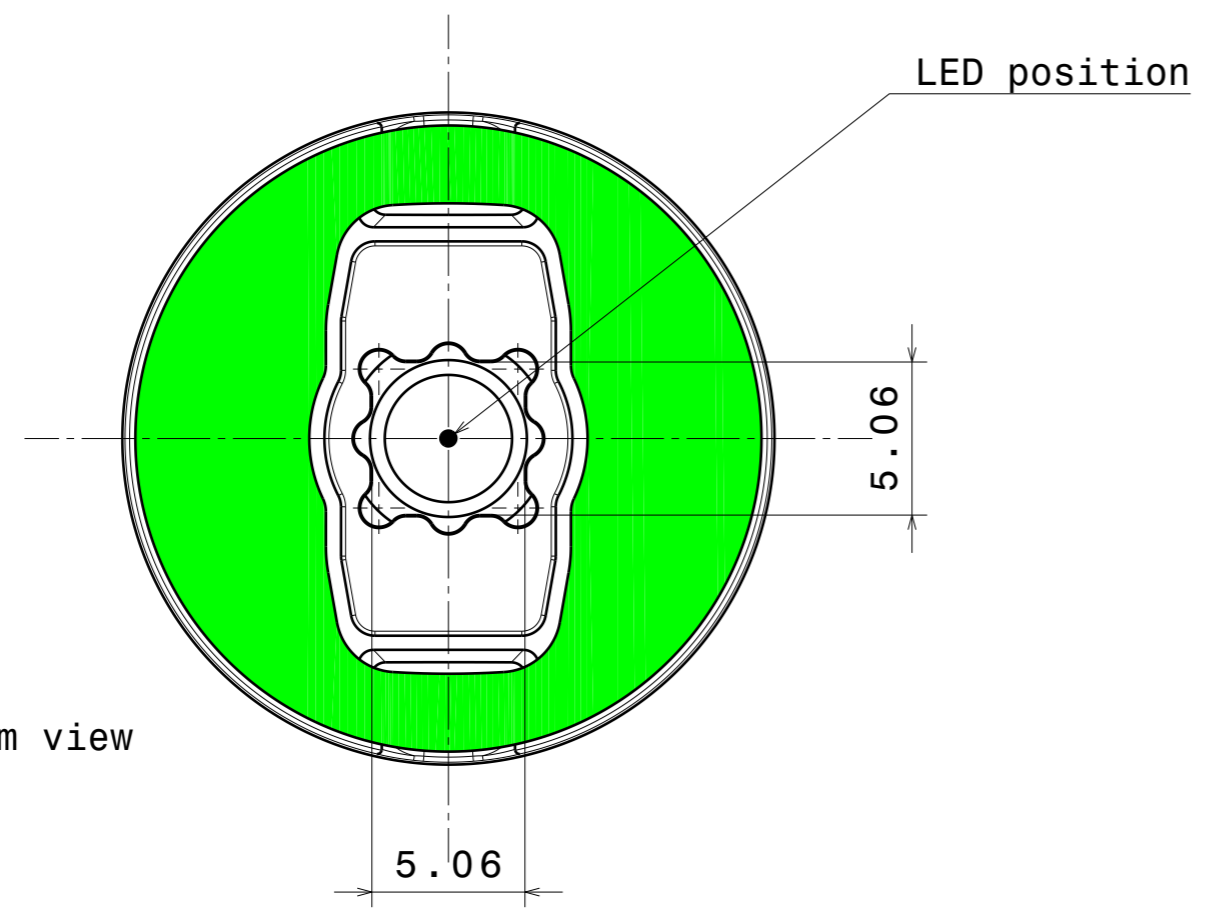
3

Front view

Isometric view

2

2



Bottom view

INDEX	PART NO	DESCRIPTION	MATERIAL	COLOUR
1	F11935	LXM-LH1-TAPE-BLK	PC	black
2	F11089	LE1-0-90	PMMA	

Tolerances if not otherwise shown
 According to DIN ISO 2768-1
 Linear measures:
 Up to 30mm class M, otherwise class C.
 According to DIN ISO 2768-2
 Form and position: class L

LEDiL LediL Oy
 Salorankatu 10
 FIN 24240 SALO
 Finland

THIRD ANGLE PROJECTION:

DRAWING TITLE
FA13860_LXM-0-90

This drawing is the property of LEDiL Oy. It may not be reproduced, copied or communicated without a written agreement with LEDiL Oy.

SIZE **A3** PART NUMBER **FA13860**

SCALE 4:1 WEIGHT 6,51 g SHEET 1/1

H G B A

1

1