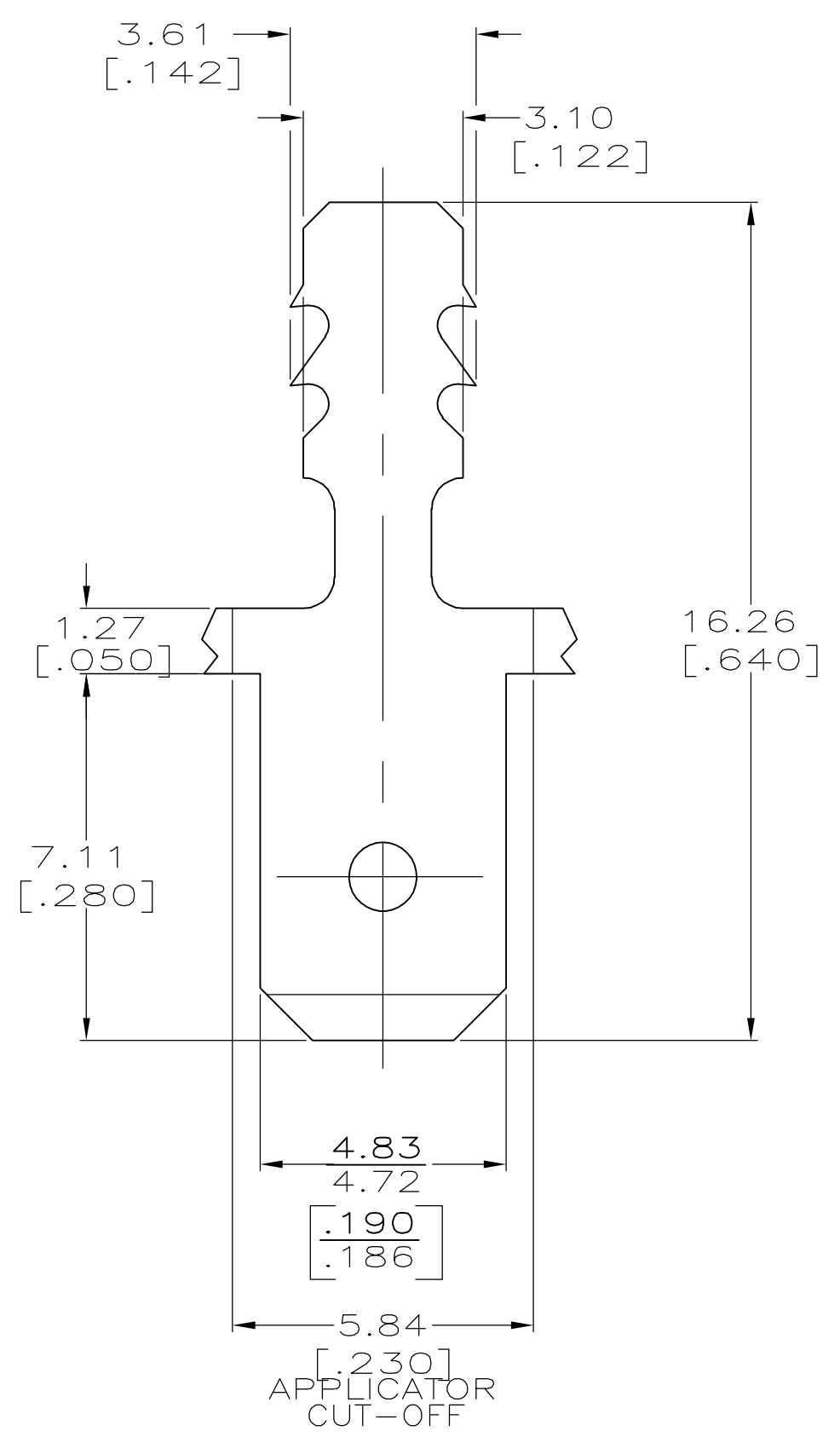


THIS DRAWING IS UNPUBLISHED. RELEASED FOR PUBLICATION
 © COPYRIGHT - BY TYCO ELECTRONICS CORPORATION. ALL RIGHTS RESERVED.

LOC	DIST	REVISIONS					
AF	50	P	LTR	DESCRIPTION	DATE	DWN	APVD
			C	REV PER ECR 05-017561	24MAR06	JR	KR



- 1 CONTINUOUS STRIP ON REEL.
- △ 2 FINISH: 0.00381 [.000150] MIN TIN PL ALL OVER 0.00254 [.000100] MIN COPPER UNDERPLATE.
- 3 DIMENSIONAL MEASUREMENTS DO NOT INCLUDE PLATING, BURRS, OR FLATNESS TOLERANCE.

63967-1
PART NO

THIS DRAWING IS A CONTROLLED DOCUMENT.		DWN PHILLIP M FORTNEY 31/JAN/97	Tyco Electronics Corporation Harrisburg, PA 17105-3608	
DIMENSIONS: MM [INCHES]		CHK MICHAEL S FEHER 31/JAN/97	Tyco Electronics	
TOLERANCES UNLESS OTHERWISE SPECIFIED:		APVD D SCHWENK 31JAN97	BOBBIN TAB, 4.75 [.187] SERIES	
0 PLC ± -	1 PLC ± -	PRODUCT SPEC	NAME	RESTRICTED TO
2 PLC ± 0.25 [.010]	3 PLC ± -	APPLICATION SPEC	SIZE	—
4 PLC ± -	ANGLES ± -	—	CAGE CODE	—
MATERIAL	FINISH	WEIGHT	DRAWING NO	—
082 BRASS	△ 2	—	A3 00779 C-63967	—
CUSTOMER DRAWING			SCALE	REV
			8:1	C
			SHEET	
			1 OF 1	