

**SPECIFICATIONS:**

**MATERIALS:**

SHELL: NICKEL PLATED STEEL  
 INSULATOR: PA6T, UL94 V-0  
 PROCESS TEMP: 260°C  
 CONTACTS: GOLD PLATED BRASS

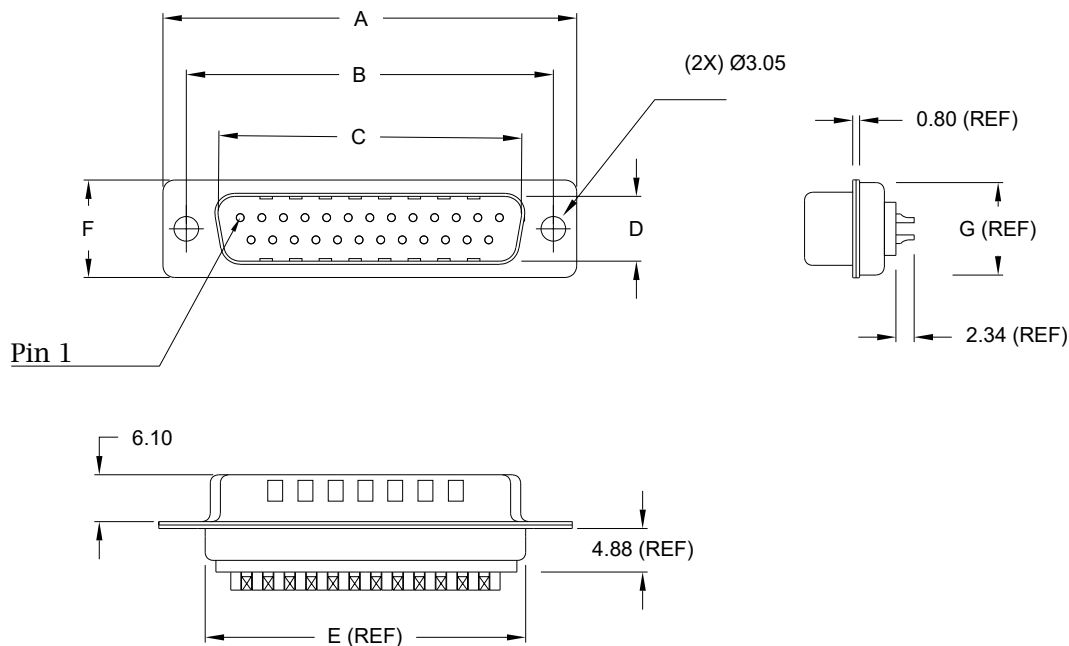
**ELECTRICAL:**

RATED CURRENT: 5A  
 VOLTAGE: 500VAC FOR 1 MINUTE  
 INSULATION RESISTANCE: 1000 MOhms MIN.  
 CONTACT RESISTANCE: 15 mOhms MAX.

**ENVIRONMENT:**

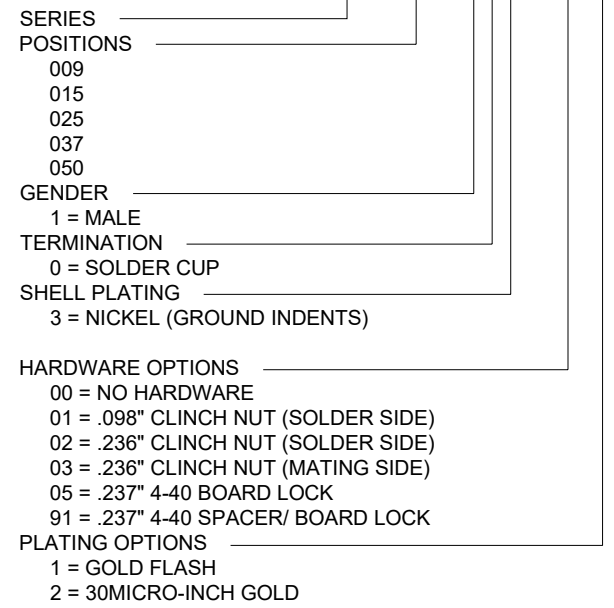
OPERATING TEMPERATURE: -50°C TO +100°C

DIMENSIONS(mm)							
SIZE	A±.36	B±.10	C±.15	D±.15	E±.38	F±.25	G (REF)
9	30.80	24.99	17.00	8.40	19.20	12.60	10.75
15	39.15	33.32	25.30	8.40	27.70	12.60	10.75
25	53.04	47.04	39.00	8.40	41.10	12.60	10.75
37	69.32	63.50	55.40	8.40	57.30	12.60	10.75
50	66.93	61.11	52.80	11.10	55.10	15.20	13.30



**WILL ACCEPT 26-20 AWG WIRE**

**172-YYY-103RYY1**



**RoHS COMPLIANT**

UNITS = mm

**DO NOT SCALE FROM DRAWING**



THESE DRAWINGS AND SPECIFICATIONS ARE THE PROPERTY OF NorComp AND SHALL NOT BE REPRODUCED, COPIED OR USED AS THE BASIS FOR THE MANUFACTURE OR SALE OF APPARATUS WITHOUT WRITTEN PERMISSION.

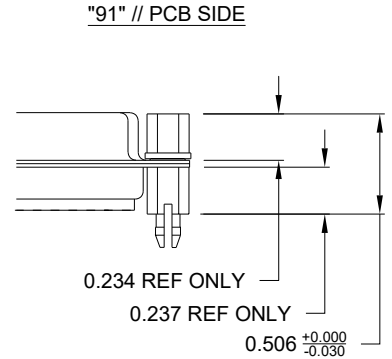
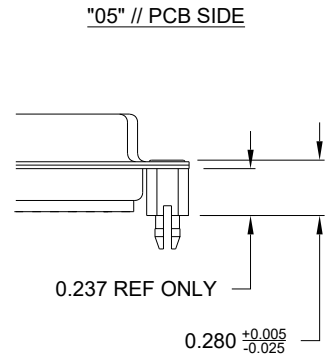
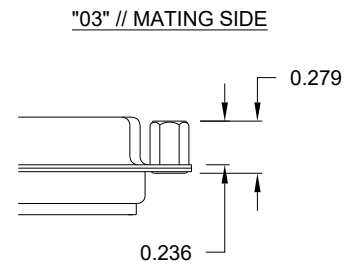
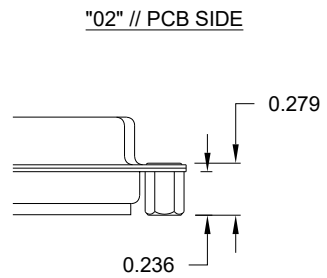
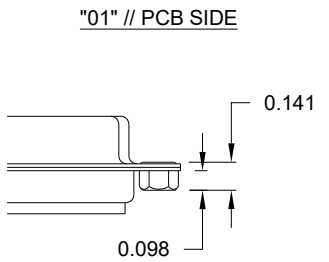
DRAWN: P. JENKINS  
 DATE: 08/24/1998

**NorComp**

SCALE: NTS  
 SHEET 1 OF 2  
 REV 16  
 DWG NO. 172-YYY-103RYY1

**TOLERANCE:**  
 ALL DIMENSIONS ARE  $\pm 0.010$   
 UNLESS OTHERWISE  
 SPECIFIED

ALL CLINCH-NUTS ARE 4-40 INTERNAL THREADS



NOTE: 4-40 FEMALE SCREW LOCK IS REMOVABLE

50 in-oz  
 Max Torque

RoHS COMPLIANT

UNITS = inch

DO NOT SCALE FROM DRAWING



THESE DRAWINGS AND SPECIFICATIONS ARE THE PROPERTY OF NorComp AND SHALL NOT BE REPRODUCED, COPIED OR USED AS THE BASIS FOR THE MANUFACTURE OR SALE OF APPARATUS WITHOUT WRITTEN PERMISSION.

DRAWN:  
 P. JENKINS  
 DATE:  
 08/24/1998

**NorComp**

SCALE: NTS	SHEET 2	OF 2	REV 16
DWG NO.		172-YYY-103RYY1	