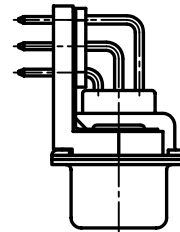
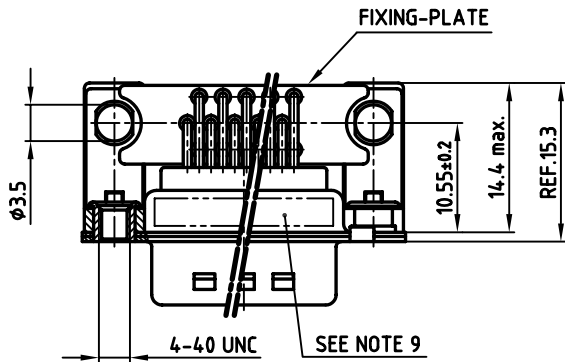
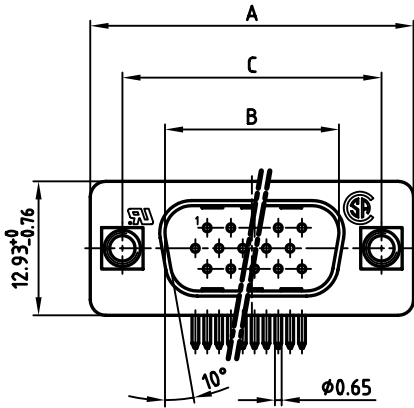
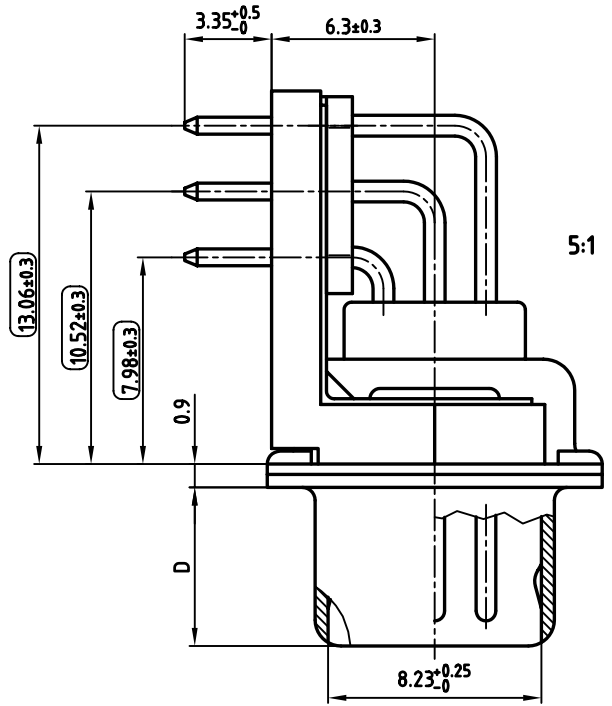


used for: D-SUB HD

POS.	A <sup>-0.76</sup>	B <sup>+0.25</sup>	C	D <sup>-0.3</sup>	Part-NO.
15	31.19	16.79	25.00 <sup>+0.12</sup> <sub>-0.13</sub>	6.12	<b>163A17609X</b>
26	39.52	25.12	33.30 <sup>+0.15</sup> <sub>-0.1</sub>	6.12	<b>163A17619X</b>
44	53.42	38.84	47.04 <sup>+0.13</sup>	5.99	<b>163A17629X</b>
62	69.70	55.30	63.50 <sup>+0.13</sup>	5.99	<b>163A17639X</b>



**NOTES:**

- METALSHELLS: STEEL; min. 320µ" TIN
- INSULATORS: PBT GF UL 94 V-0, BLACK
- CONTACTS: COPPER ALLOY  
PLATING: 8µ" HARD GOLD OVER min. 50µ" NICKEL
- MOUNTING BRACKET: PBT GF UL 94 V-0, BLACK
- THREADED INSERT: COPPER ALLOY; min. 200µ" TIN OVER 80µ" NICKEL
- FIXING-PLATE: PBT GF UL 94 V-0, BLACK
- P.C.B. HOLE DRILLINGS ON SHEET 2
- MAXIMUM TORQUE VALUE FOR THREAD: 6" LBS
- CONNECTOR IS PART MARKED: PART-NO. CONEC ABC
- = CHECK DIMENSION

Directive 2002/95/EC  
RoHS  
Compliant

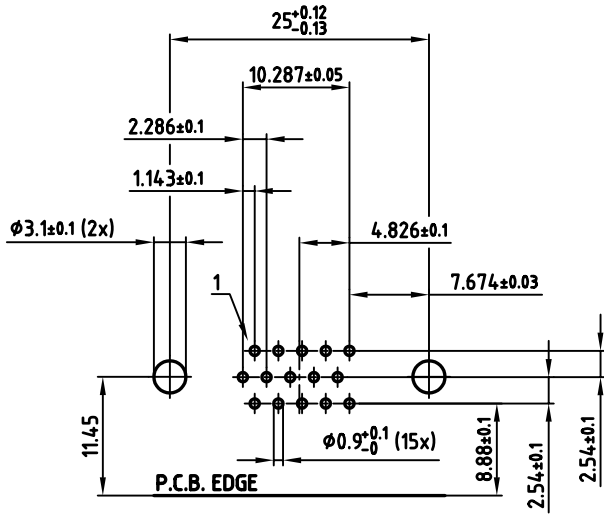
APPROVAL # FREIGABE # DEBLOCAGE # AUTORIZACION # APPROVAL	
CUSTOMER APPROVAL DATE:	
NAME:	TITLE:
COMPANY NAME:	
APPROVAL # FREIGABE # DEBLOCAGE # AUTORIZACION # APPROVAL	

THIS DRAWING MAY NOT BE COPIED OR REPRODUCED IN ANY WAY, AND MAY NOT BE PASSED ON TO A THIRD PARTY, WITHOUT WRITTEN PERMISSION. OWNERSHIP AND COPYRIGHT OF CONEC GmbH DO NOT ALTER CAD DRAWING BY HAND

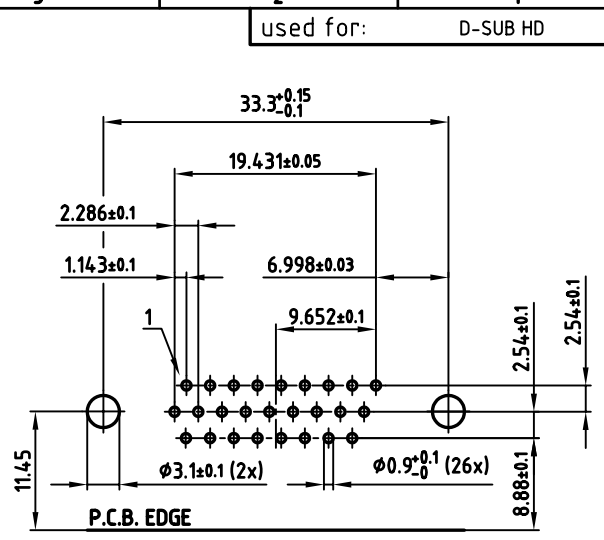
rev.	description	date	name

tolerance		dim. in mm
2006	date	
drawn	20.03.	name
appd.	20.03.	Mickenbecker
norm		DIN 41652
d-old		
<b>CONEC®</b>		

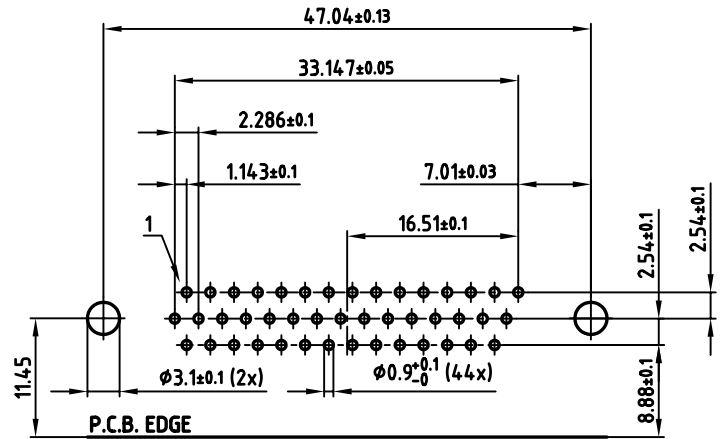
scale:	2:1 (5:1)
material:	SEE NOTES
title:	<b>D-SUB HD MALE 90°</b> 15-62pos. 0.350inch threaded insert, mounting + grounding bracket
dwg no:	AutoCAD 2006 DIN-A
	3 sh:1/2
part no:	<b>16K1A1782</b> SEE TABLE



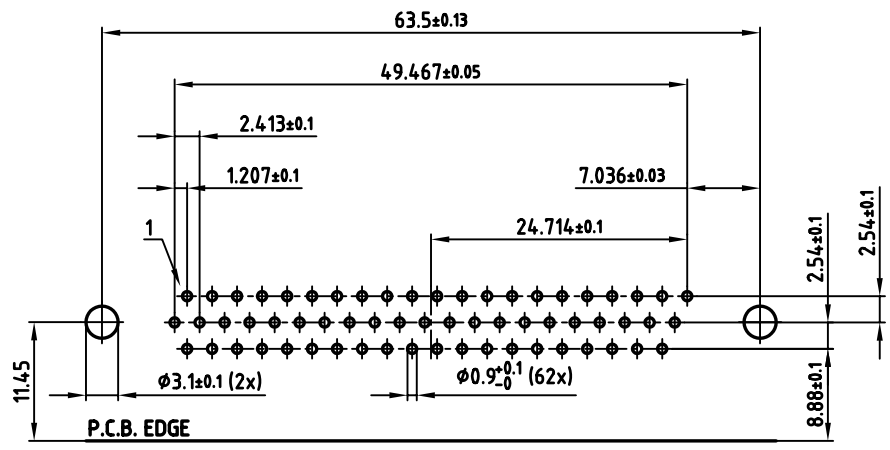
15pos.



26pos.



44pos.



62pos.

APPROVAL # FREIGABE # DEBLOCAGE # AUTORIZACION # APPROVAL

CUSTOMER APPROVAL DATE:

NAME: TITLE:

COMPANY NAME:

APPROVAL # FREIGABE # DEBLOCAGE # AUTORIZACION # APPROVAL

THIS DRAWING MAY NOT BE COPIED OR REPRODUCED IN ANY WAY, AND MAY NOT BE PASSED ON TO A THIRD PARTY, WITHOUT WRITTEN PERMISSION. OWNERSHIP AND COPYRIGHT OF CONEC GmbH DO NOT ALTER CAD DRAWING BY HAND

rev.	description	date	name
a	Origin		

tolerance		scale:	2:1
	dim. in mm	material:	SEE SHEET 1
2006	date	name	
drawn	20.03.	Lehmenkühler	
appd.	20.03.	Mickenbecker	
norm			
d-old			

title:

**P.C.B. HOLE DRILLINGS**  
D-SUB HD MALE 90° 15-62pos. 0.350inch threaded insert, mounting + grounding bracket

dwg no: AutoCAD 2006 DIN-A

**16K1A1782** 3 sh:2/2

part no: SEE SHEET 1